

# Hoffman BC Laundry Press

*The new revolutionary design laundry press.*

**INNOVATIVE FEATURES:**

- Compact frame – minimal floor space
- Extremely quiet and smooth operation
- Simplified pneumatic control system for easy maintenance and reliability
- Ergonomic soft touch operating buttons and foot pedals for operator comfort
- Extra wide head opening provides easy access to and unrestricted view of the garment
- Heavy-duty steel frame and linkage for exceptional durability
- Available in a wide variety of head and buck shapes

**AVAILABLE OPTIONS:**

- Digital release timer
- Steam/electric iron and lowboy
- All-steam iron
- Water spray gun and condenser
- ASME certification
- CE certification
- Left hand head and buck mounting

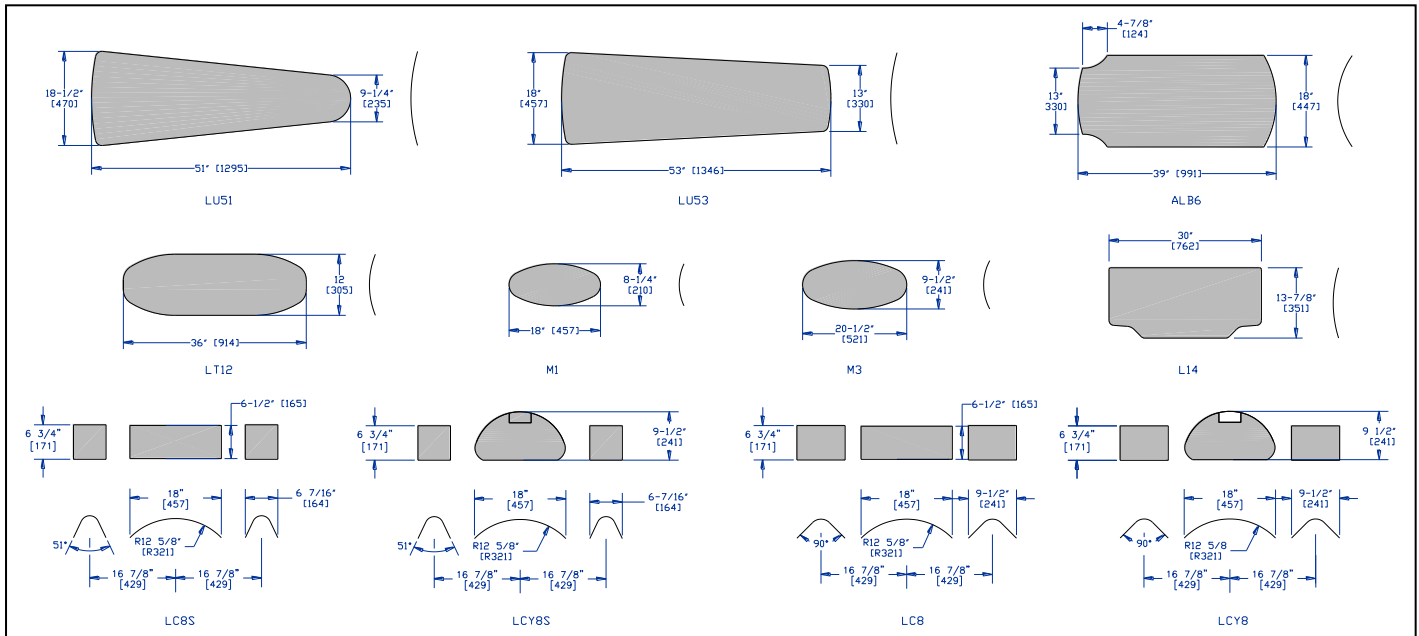


**BCL-14**

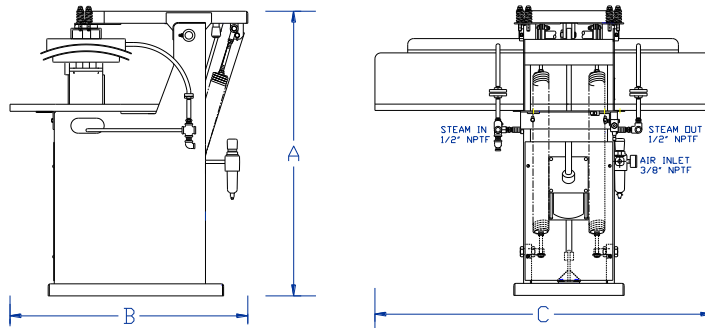


**HOFFMAN**  
*The First Name In Pressing*

**TECHNICAL DATA:**



- A 48" [1220]
- B 39" [991]
- C Dimension "C"  
(see table)



**TECHNICAL SPECIFICATIONS:**

	<b>BCLU51</b>	<b>BCLU53</b>	<b>BCALB6</b>	<b>BCLT12</b>
<b>Steam Cons. @ 80 psig</b>	42 lb/hr [19 kg/hr]	42 lb/hr [19 kg/hr]	42 lb/hr [19 kg/hr]	42 lb/hr [19 kg/hr]
<b>Max. Steam Pressure</b>	125 psi [862 KPa]	125 psi [862 KPa]	125 psi [862 KPa]	125 psi [862 KPa]
<b>Air Cons. per Cycle @ 80 psi</b>	0.69ft <sup>3</sup> [0.02 M <sup>3</sup> ]	0.69ft <sup>3</sup> [0.02 M <sup>3</sup> ]	0.69ft <sup>3</sup> [0.02 M <sup>3</sup> ]	0.69ft <sup>3</sup> [0.02 M <sup>3</sup> ]
<b>Max. Air Pressure</b>	80 psi [552 KPa]	80 psi [552 KPa]	80 psi [552 KPa]	80 psi [552 KPa]
<b>Table Length Dim. "C"</b>	56" [1422 mm]	56" [1422 mm]	48" [1219 mm]	36" [914 mm]
<b>Net Machine Weight</b>	650 lb [295 kg]	670 lb [304 kg]	500 lb [227 kg]	460 lb [208 kg]
<b>Shipping Weight</b>	690 lb [313 kg]	710 lb [323 kg]	545 lb [247 kg]	505 lb [229 kg]
	<b>BCLM1</b>	<b>BCLM3</b>	<b>BCL14</b>	<b>BCLCY8</b>
<b>Steam Cons. @ 80 psig</b>	34 lb/hr [15.4 kg/hr]	34 lb/hr [15.4 kg/hr]	40 lb/hr [18 kg/hr]	34 lb/hr [15.4 kg/hr]
<b>Max. Steam Pressure</b>	125 psi [862 KPa]	125 psi [862 KPa]	125 psi [862 KPa]	125 psi [862 KPa]
<b>Air Cons. per Cycle @ 80 psi</b>	0.69ft <sup>3</sup> [0.02 M <sup>3</sup> ]	0.69ft <sup>3</sup> [0.02 M <sup>3</sup> ]	0.69ft <sup>3</sup> [0.02 M <sup>3</sup> ]	0.69ft <sup>3</sup> [0.02 M <sup>3</sup> ]
<b>Max. Air Pressure</b>	80 psi [552 KPa]	80 psi [552 KPa]	80 psi [552 KPa]	80 psi [552 KPa]
<b>Table Length Dim. "C"</b>	36" [914 mm]	36" [914 mm]	36" [914 mm]	48" [1219 mm]
<b>Net Machine Weight</b>	460 lb [208 kg]	465 lb [211 kg]	460 lb [208 kg]	640 lb [290 kg]
<b>Shipping Weight</b>	505 lb [229 kg]	510 lb [231 kg]	505 lb [229 kg]	685 lb [311 kg]
	<b>BCLCY8S</b>	<b>BCLC8</b>	<b>BCLC8S</b>	
<b>Steam Cons. @ 80 psig</b>	34 lb/hr [15.4 kg/hr]	34 lb/hr [15.4 kg/hr]	34 lb/hr [15.4 kg/hr]	
<b>Max. Steam Pressure</b>	125 psi [862 KPa]	125 psi [862 KPa]	125 psi [862 KPa]	
<b>Air Cons. per Cycle @ 80 psi</b>	0.69ft <sup>3</sup> [0.02 M <sup>3</sup> ]	0.69ft <sup>3</sup> [0.02 M <sup>3</sup> ]	0.69ft <sup>3</sup> [0.02 M <sup>3</sup> ]	
<b>Max. Air Pressure</b>	80 psi [552 KPa]	80 psi [552 KPa]	80 psi [552 KPa]	
<b>Table Length Dim. "C"</b>	48" [1219 mm]	48" [1219 mm]	48" [1219 mm]	
<b>Net Machine Weight</b>	640 lb [290 kg]	640 lb [290 kg]	640 lb [290 kg]	
<b>Shipping Weight</b>	685 lb [311 kg]	685 lb [311 kg]	685 lb [311 kg]	

**Hoffman/New Yorker, Inc.**  
 46 Clinton Place, Hackensack, NJ 07601  
 Tel: 201-488-1800 Fax: 201-488-4480  
[www.hoffman-newyorker.com](http://www.hoffman-newyorker.com)

**DISTRIBUTED BY:**

Equipment is subject to manufacturer's standard warranty.  
 Accuracy of illustration and description of equipment shown herein applies to product.