



The Right Choice of Steam Puffers For Faster, Easier, Safer Finishing

Choose From A Wide Range of Sizes & Shapes

Benefits

- Perfect finishing of light fabrics
- Easy to use
- Total operator control
- Flexibility to finish difficult areas of garments
- Choice of configuration
- Easy maintenance
- Dual side pedal control
- Widest variety of options

Aluminum fabric covered steam head shapes ensure long-life durability and buffered steam distribution. Foot pedal control from either side speeds and eases location planning and operator productivity while reducing operator fatigue.

Options

- Choose from egg, shoulder, sleeve, long sleeve, and mushroom shapes.
- Available in single, double and triple units.
- Dual side pedals (as shown).



Lo Mejor En Vaporizadores (Puffers) Para Un Fácil Rapido Y Seguro Acabado

Gran Variedad De Cabezales

Beneficios:

- Acabado perfecto de telas delgadas y livianas
- Fácil de usar
- Controlado totalmente por el operador
- Flexibilidad en el acabado de areas dificultas en la prenda de vestir
- Selección de configuraciones
- Mantenimiento fácil
- Controlado por uno o dos pedales
- Gran variedad de opciones

Los cabezales de aluminio y recubiertos por una tela aseguran larga vida y mejor distribución del vapor. Controlado por pedal de pie el cual se coloca en cualquiera de los lados o en ambos, asegura acceso fácil, disminuye fatigas e incrementa la producción.

Opciones

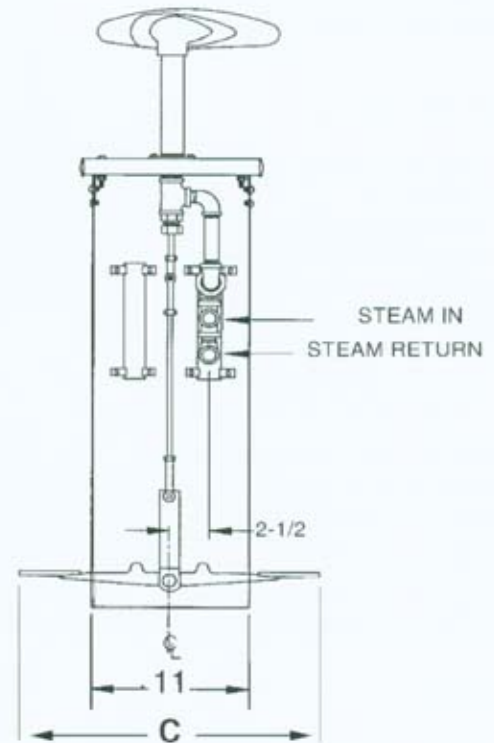
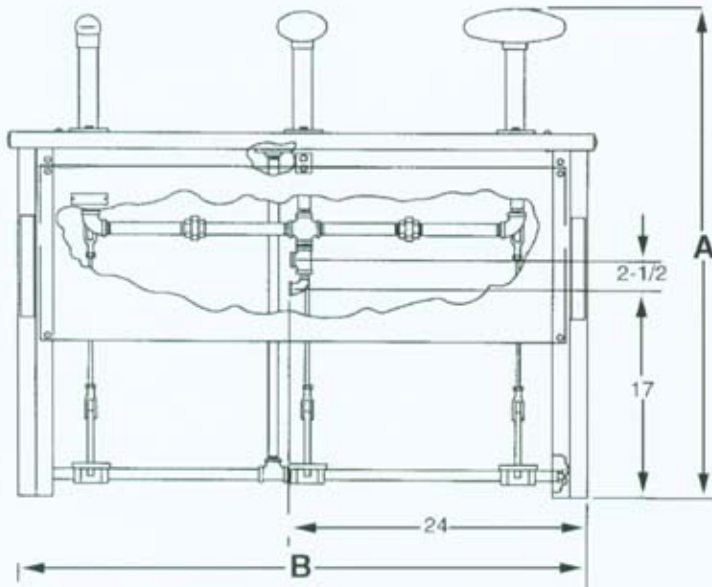
- Escoja cabezal correct, Huevo, hombro, manga larga o corta y hongo.
- Se suplen con uno o dos pedales y en unidades singulares, dobles o triples.

J SERIES (La Serie J)



Specifications J Series

MODEL		J-1	J-2	J-3
Dimensions	(A)	41" (1041mm)	41" (1041mm)	41" (1041mm)
	(B)	12" (305mm)	35" (889mm) or 46" (1168mm)	46" (1168mm) or 56" (1422mm)
	(C)	19-1/4" (489mm)	19-1/4" (489mm)	19-1/4" (489mm)
Net Machine Weight		40 lbs (18 kg)	90 lbs (41kg)	110 lbs (50 kg)
Steam pipe size (in/out)		1/2" NPT	1/2" NPT	1/2" NPT
Vacuum pipe size (optional)		1-1/4" NPT	1-1/4" NPT	1-1/4" NPT
Electrical requirements		None	None	None
Air inlet/consumption		None	None	None
Shipping weight		75 lbs (34 kg)	137 lbs (62 kg)	161 lbs (73 kg)



Equipment is subject to manufacturer's standard warranty. Accuracy of illustration and description of equipment shown herein applies to product as manufactured at time of publication.

Copyright 1995. Hoffman/New Yorker, Inc. All rights reserved.
Printed in U.S.A. 2.5M895

HOFFMAN/NEW YORKER, INC.

46 Clinton Place Hackensack, NJ 07601 USA

Phone: 201-488-1800 Fax: 201-488-4480

www.hoffman-newyorker.com