

Shirt Pressing Systems for Dry Cleaners & Laundries

Hoffman SLSBC-BVP Single Buck

Hoffman DBR-BVP Roto Double Buck

- Compact design utilizes minimal floor space.
- Simultaneous finishing of body, sleeves and pleats.
- User friendly position of pleating head and buck for easy loading.
- Multiple 10-program micro-processor controls variable body, sleeve and pleat times in each pressing cycle.
- Integral blowers and heat exchanger supply high volume super heated air to sleeves and permeable side and yoke bags for a quality finish and reduced cycle times.
- Unique SizeWize™ Flat Panel Heated Head & Buck combined with expanding side and yoke bags accommodates the widest range of sizes. Buck sizes 10" to 23" available.
- Proprietary head design gives high, consistent temperature across entire pressing surface for fast and complete drying of the body.
- Smooth, positive buck transfer system ensures buck is in perfect position for loading and unloading.
- Built-in diagnostic system for easy maintenance.

Option:

- Water spray gun as shown.
- Automatic Unloading and Conveyor System for increased production. Early release extend timer.



SLSBC-BVP



DBR-BVP

Hoffman SLDBC-V Double Buck

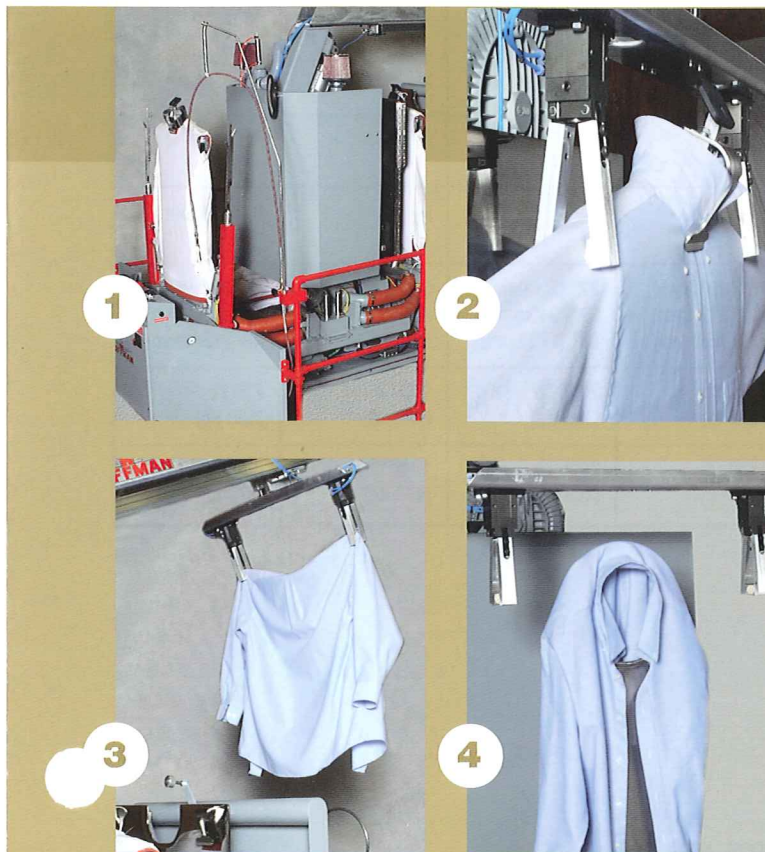
- Smooth, positive transfer system ensures buck is in perfect position for loading and unloading.
- Integral blowers and heat exchanger supply high volume of super heated air to sleeves and permeable side and yoke bags for a quality finish and reduced cycle times.
- Multiple 10-program microprocessor controls variable body pressing cycle.
- Proprietary head design gives high, consistent temperature across entire pressing surface for fast and complete drying of the body.
- Unique SizeWize™ Flat Panel Heated Head & Buck combined with expanding side and yoke bags accommodates the widest range of sizes. Buck sizes 10" to 23" available.
- Built-in diagnostic system for easy maintenance.

Option:

- Water spray gun as shown.
- Automatic Unloading and Conveyor System for increased production. Early release extend timer.

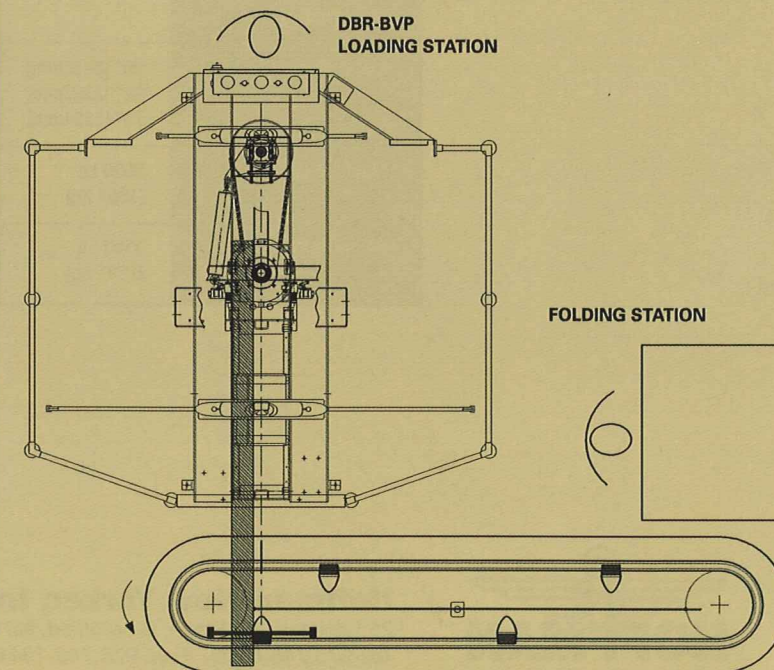


SLDBC-V



Optional Equipment...

Automatic Unloading and Conveyor System



OPTIONAL AUTOMATED UNLOADER SYSTEM (Shown with DBR-BVP)

Hoffman SLALC-8-T Collar/Cuff

- Finishes collar and cuffs in one operation.
- Specially designed head steam chamber gives consistent, high temperature for faster, quality finish (up to 26% less time). Only one collar cuff needed in double buck station.
- Separate closing 2-1/2" and 8" high pressure aluminum cylinders for fast operation and highest quality finish.
- Extremely quiet, smooth, fast operation.
- Ergonomic soft touch operating buttons for operator comfort.
- Wide head opening for easy layup.
- Special nickel chrome plated head for durability and easy cleaning.
- Innovative, easily removable pneumatic circuit module for ease of maintenance.
- Metal insulated head cover.



Options:

- Water spray gun as shown.
- Digital release timer.

Specifications

| Model | DBR-BVP | SLSBC-BVP | SLDBC-V | CSL | SLALC-8-T |
|------------------------------------|--|--|---|--|--|
| Electrical | 230/60/3 Hz 35.5 Amps | 230/60/3 Hz 17.5 Amps | 230/60/3 Hz 24 Amps | 230/60/3 Hz 12.3 Amps | 110/60/1 Hz 0.5 Amp |
| Air Consumption @80PSIG (5.5 bar) | 2.0 Ft ³ [0.06 M ³] | 1.8 Ft ³ [0.051 M ³] | 0.53 Ft ³ [0.015 M ³] | 0.30 Ft ³ [0.0085 M ³] | 1.04 Ft ³ [0.03 M ³] |
| Steam Consumption @100PSIG (7 bar) | 105 Lb/Hr [48 Kg/Hr] | 86 Lb/Hr [39 Kg/Hr] | 84 Lb/Hr [38 Kg/Hr] | 59 Lb/Hr [27 Kg/Hr] | 34 Lb/Hr [15.4 Kg/Hr] |
| Vacuum Size NPT Female | — | — | — | — | 1-1/4" (opt.) |
| Min. Vacuum Requirement | — | — | — | — | 0.75 Hp (opt.) |
| Dimensions | W 96" [2438mm] D 92" [2337mm] H 73" [1854mm] | 75" [1905mm] 47" [1194mm] 65" [1651mm] | 87" [2209mm] 37" [940mm] 68" [1727mm] | 33" [838mm] 49" [1245mm] 59" [1499mm] | 48" [1219mm] 41" [1041mm] 49" [1245mm] |
| Machine Weight | 3000 Lb [1361 Kg] | 1430 Lb [650 Kg] | 2000 Lb [909 Kg] | 960 Lb [436 Kg] | 770 Lb [350 Kg] |
| Shipping Weight | 3500 Lb [1591 Kg] | 1830 Lb [832 Kg] | 2405 Lb [1093 Kg] | 1040 Lb [472 Kg] | 820 Lb [373 Kg] |

Hoffman CSL Sleever

- Proprietary head design gives high, even temperature across entire pressing surface for fast and complete drying of the sleeves.
- Integral blower and heat exchanger supply high volume of super heated air to permeable sleeve bags for a quality finish and reduced cycle times.
- Automatically adjusts to all sleeve lengths and sizes.
- Cuff clamps open automatically.
- Built-in diagnostic system for easy maintenance.



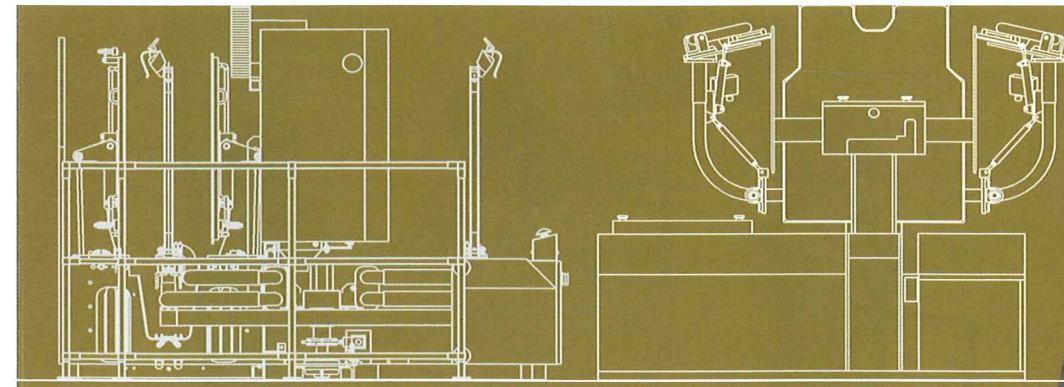
Option:

- Pneumatic cuff clamp system.

Hoffman

Shirt Pressing Systems for Dry Cleaners & Laundries

Quality garment presses built for efficiency, productivity and higher profitability.



Hoffman/New Yorker, Inc.

46 Clinton Place Hackensack, NJ 07601 USA
Phone: 201-488-1800 Fax: 201-488-4480
www.hoffman-newyorker.com

Equipment is subject to manufacturer's standard warranty. Accuracy of illustration and description of equipment shown herein applies to product as manufactured at time of publication.
© Copyright 2010. Hoffman/New Yorker, Inc. All rights reserved. Printed in U.S.A.

