

Basic PARTS IDENTIFICATION

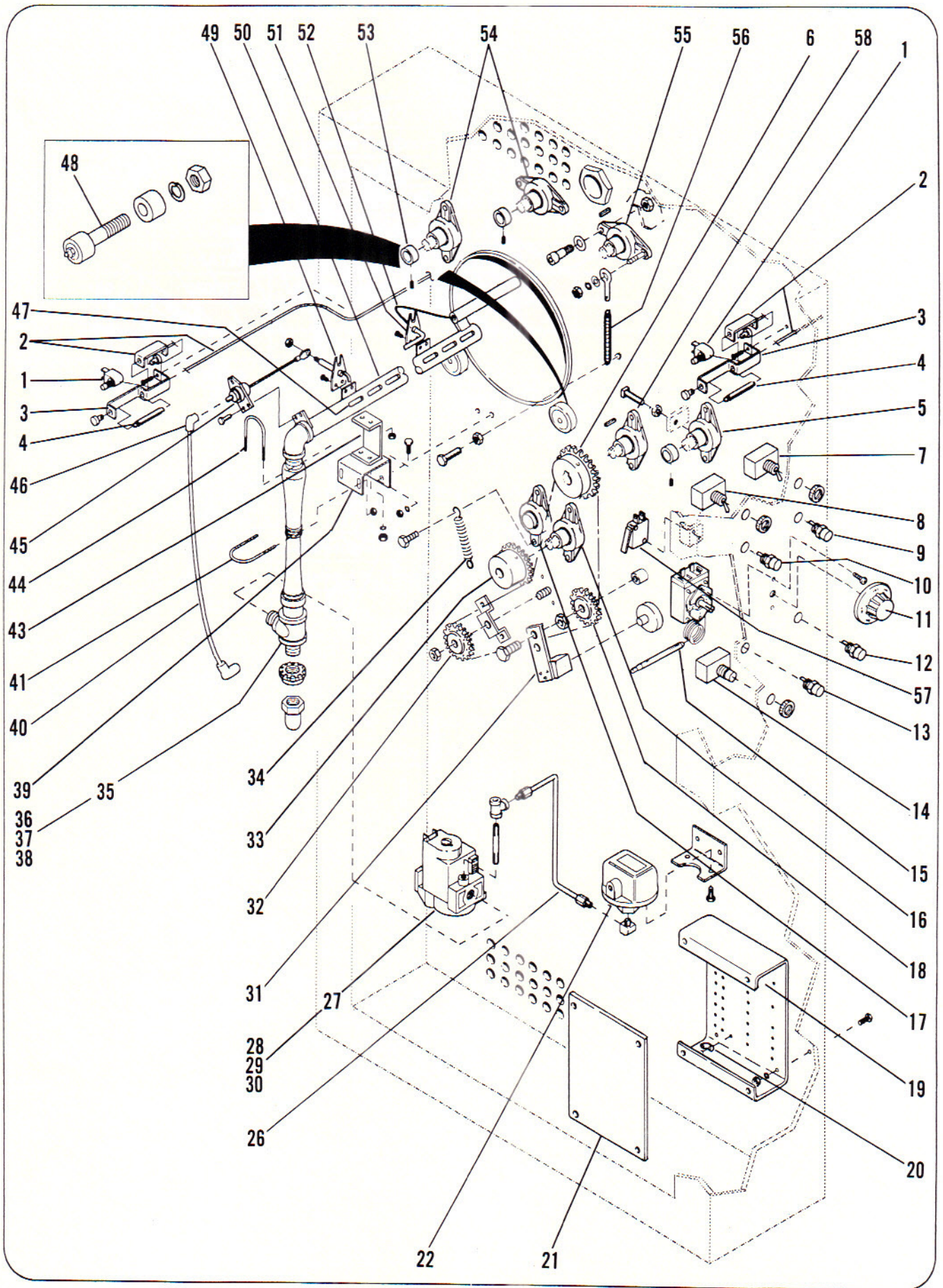
FOR

The Model 1600 and Finish Master 1600 FLATWORK IRONER

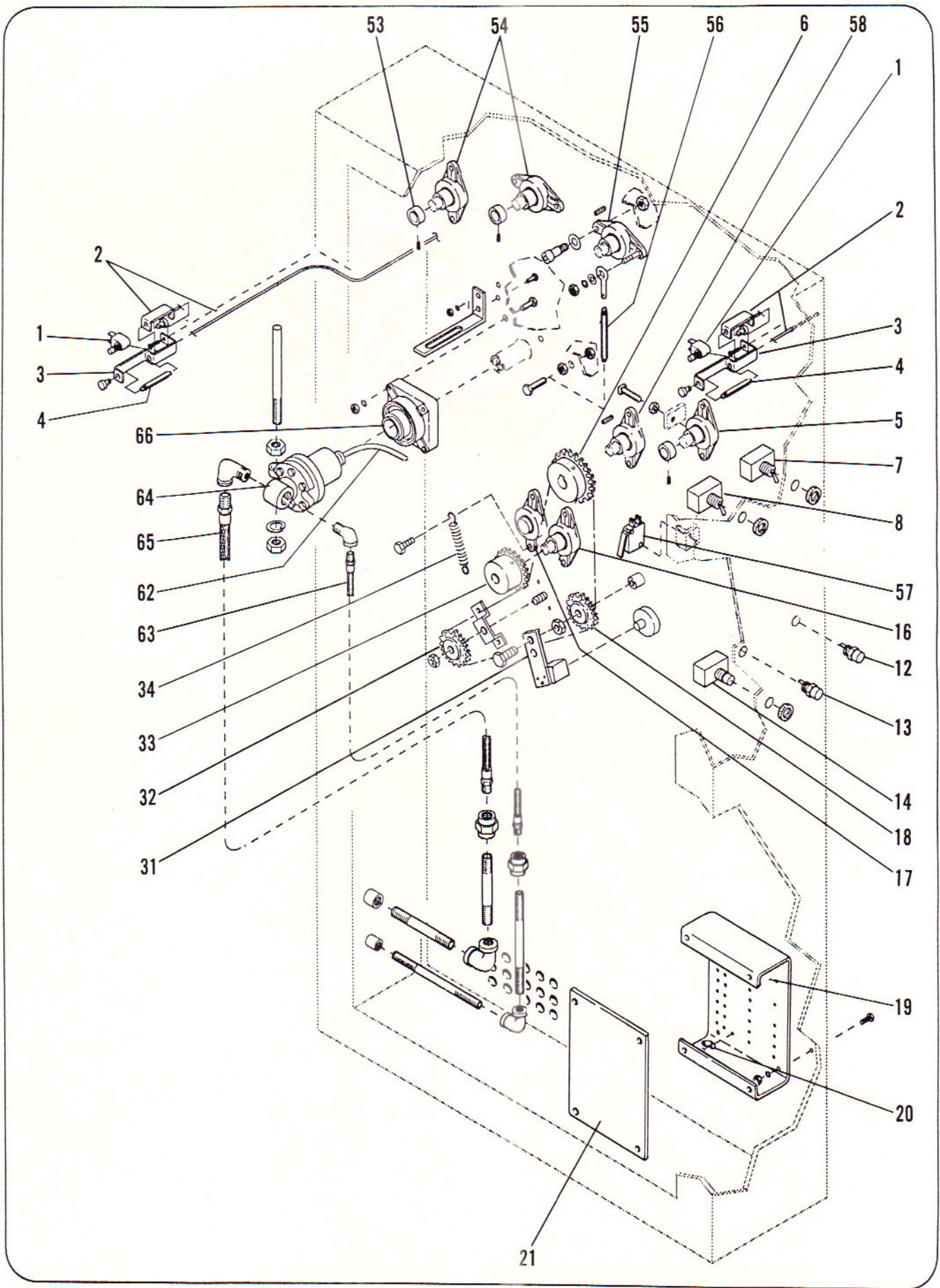
**(Identificacion de los partes basicos del Modelo 1600 and Finish Master 1600
FLATWORK IRONER)**

The following is general parts I.D. numbering for the gas, steam, and electric Model 1600 and Finish Master 1600 models. When contacting our parts department (parts@cmvsharperfinish.com , or 1-773-276-4800, ext. 12), have your model number and serial number available. State the referenced number of the part you need. Our parts department will then provide you the part number and description of the part.

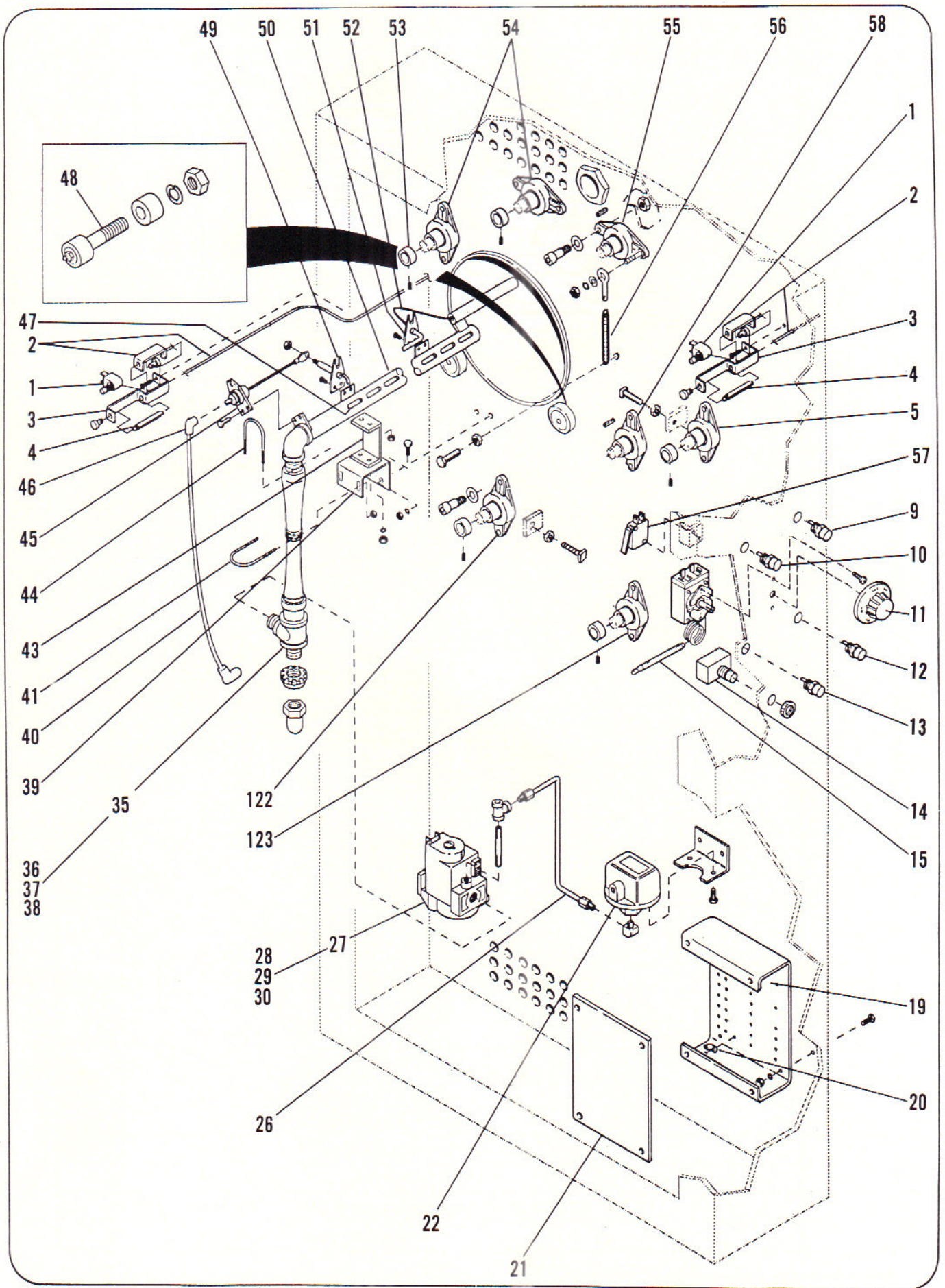
Lo siguiente son las partes generals, numero de ID, Modelos del gas, vapor, y la electricidad de Modelo 1600 y Finish Master 1600 . Comunicarse a nuestro departamento de partes a (parts@cmvsharperfinish.com , o al 1-773-276-4800, ext. 12). Tenga listos los numeros del modelo y de la serie. Indique el numero de la referencia de la parte que usted necesita. Entonces nuestro departamento de partes le proveera el numero y la descripcion de la parte requerida.



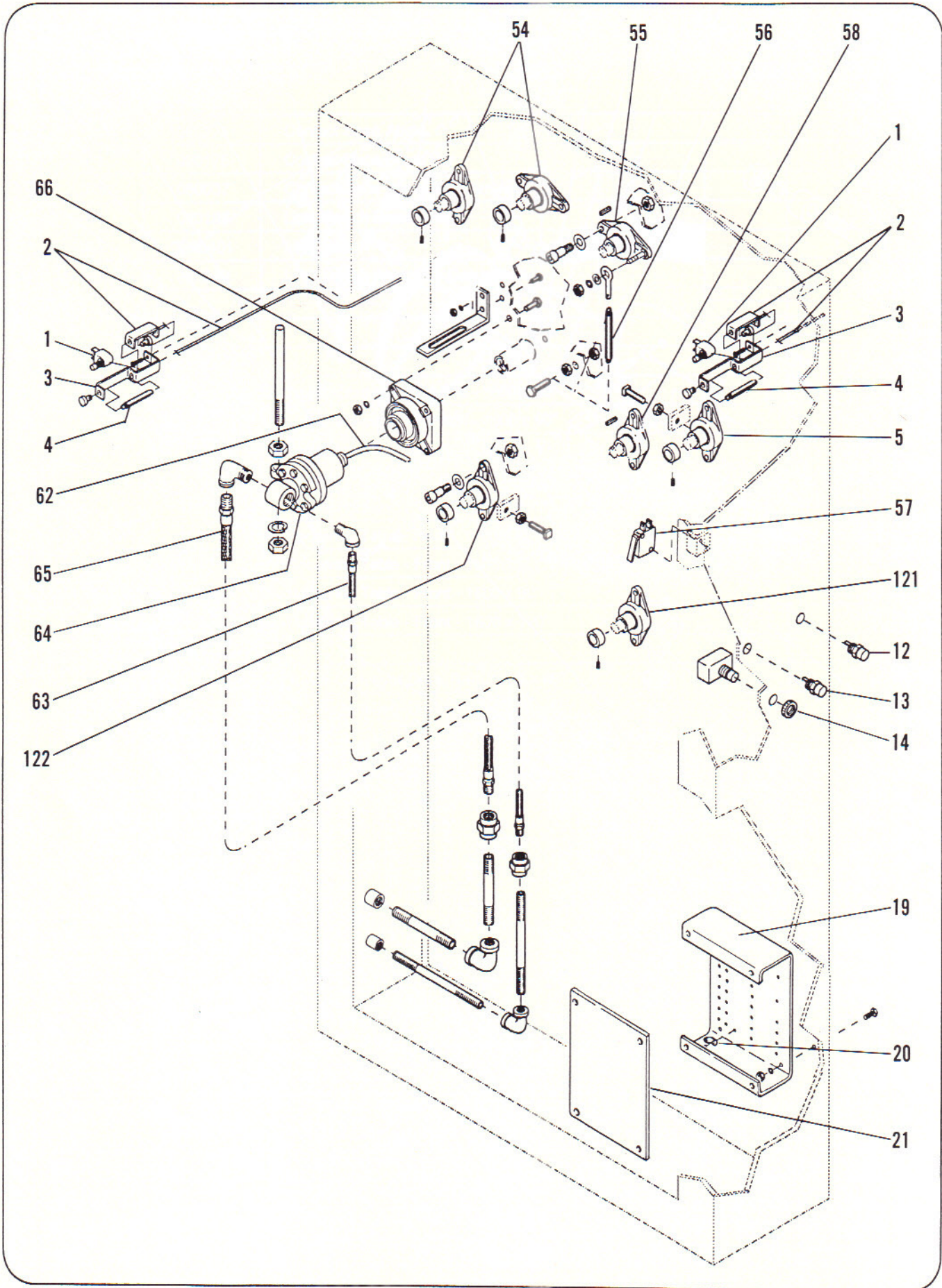
Model G/AF 1600 - Left End



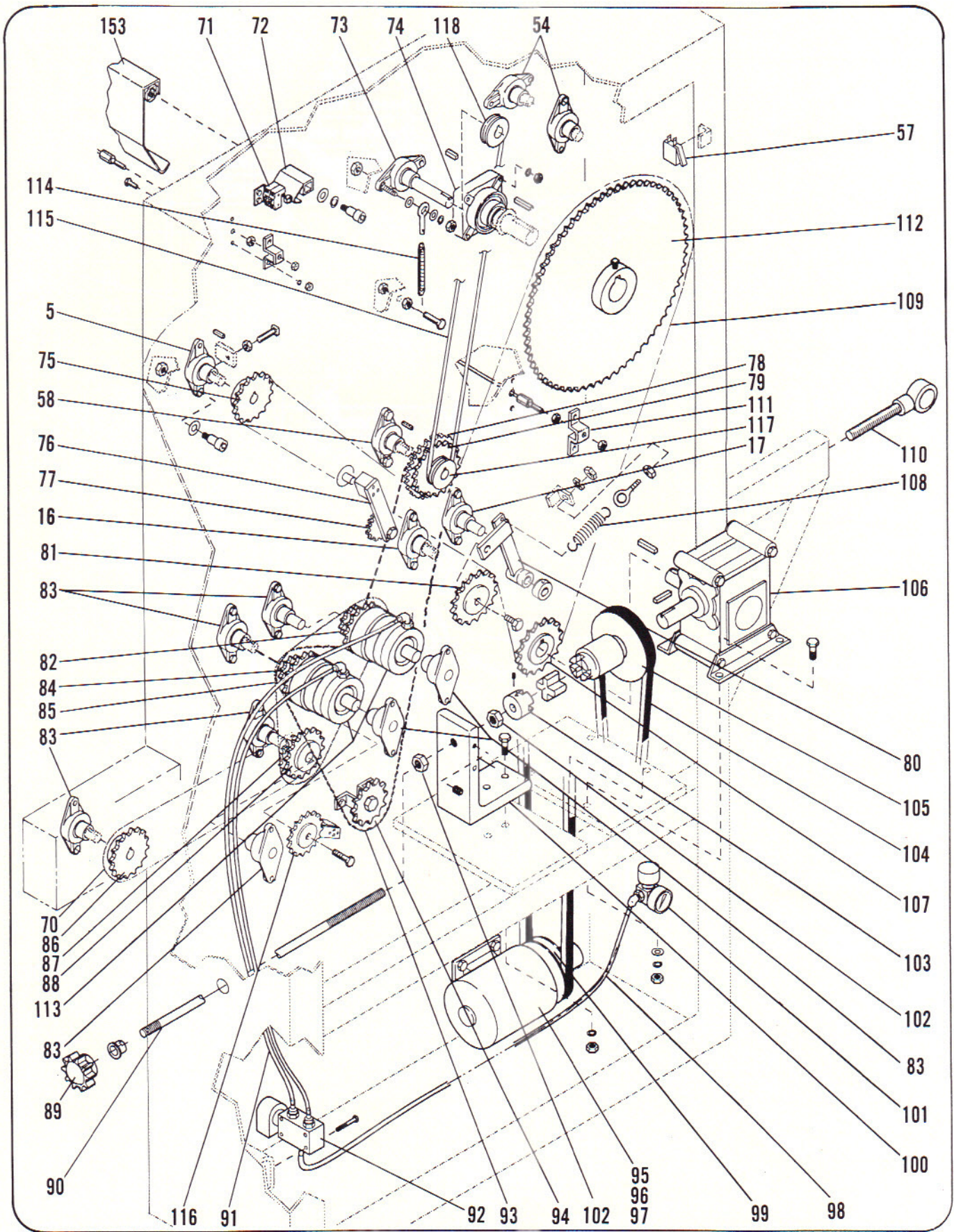
Model S/AF 1600 - Left End



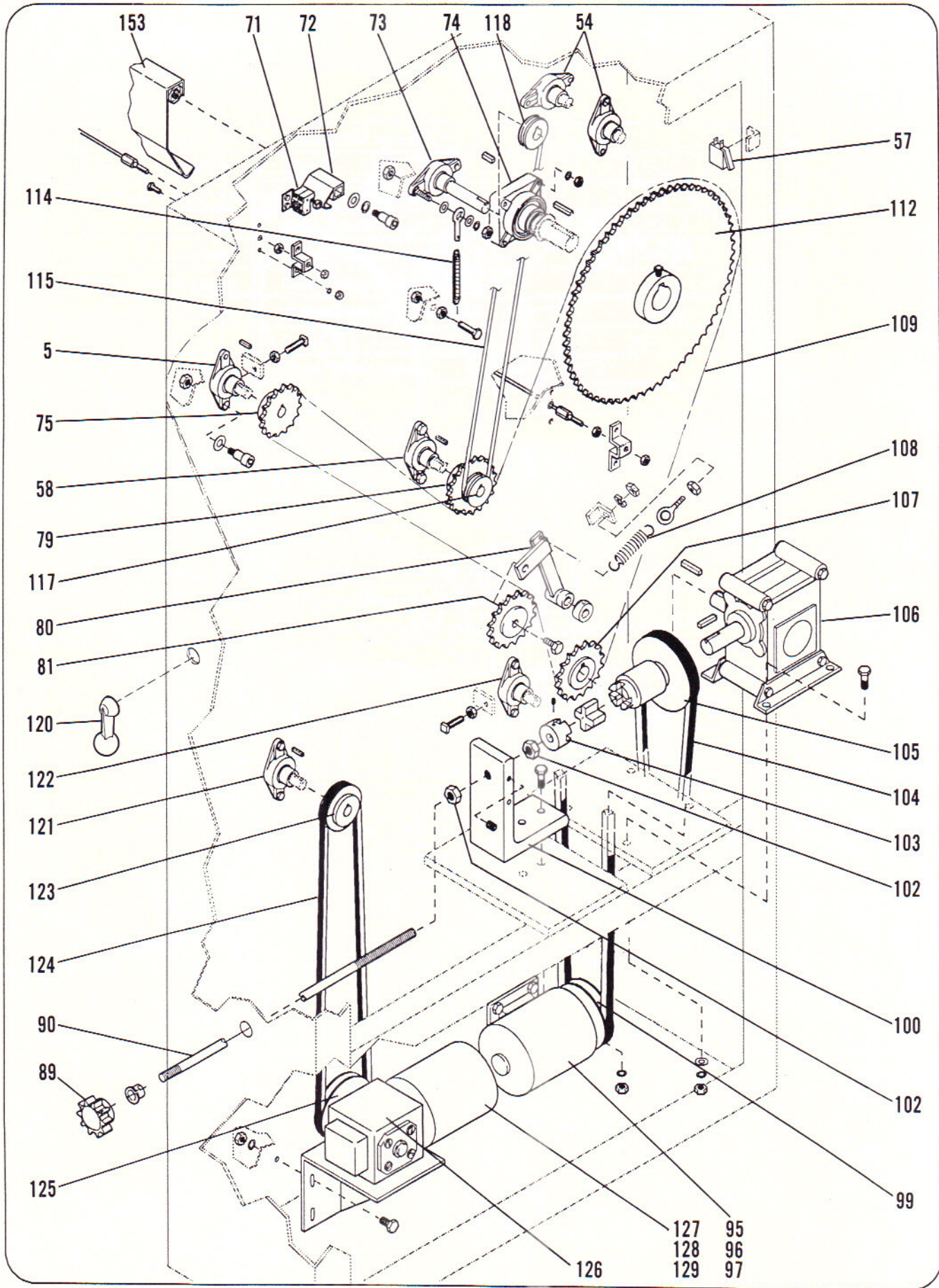
Model GR 1600 - Left End



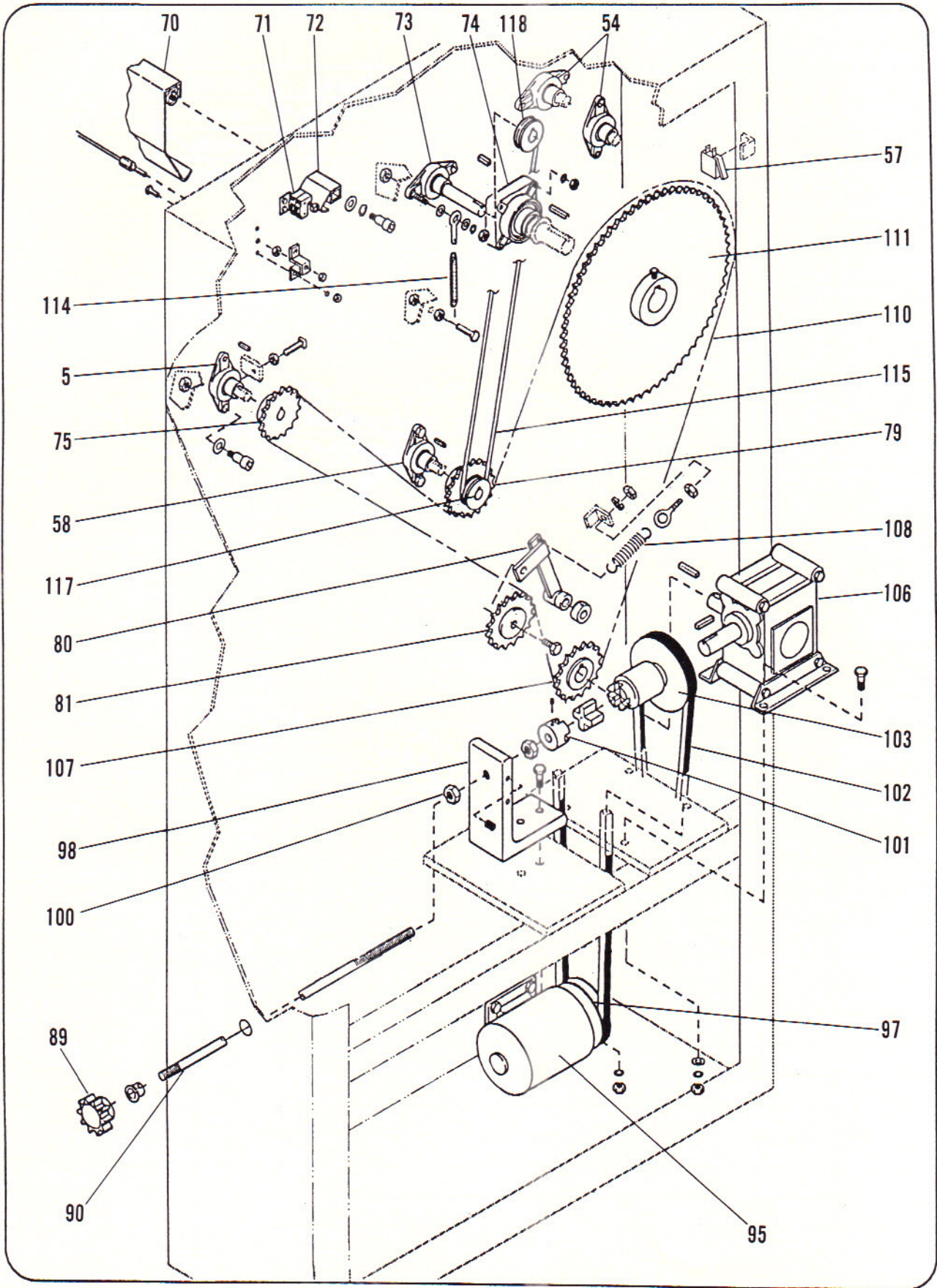
Model SR 1600 - Left End



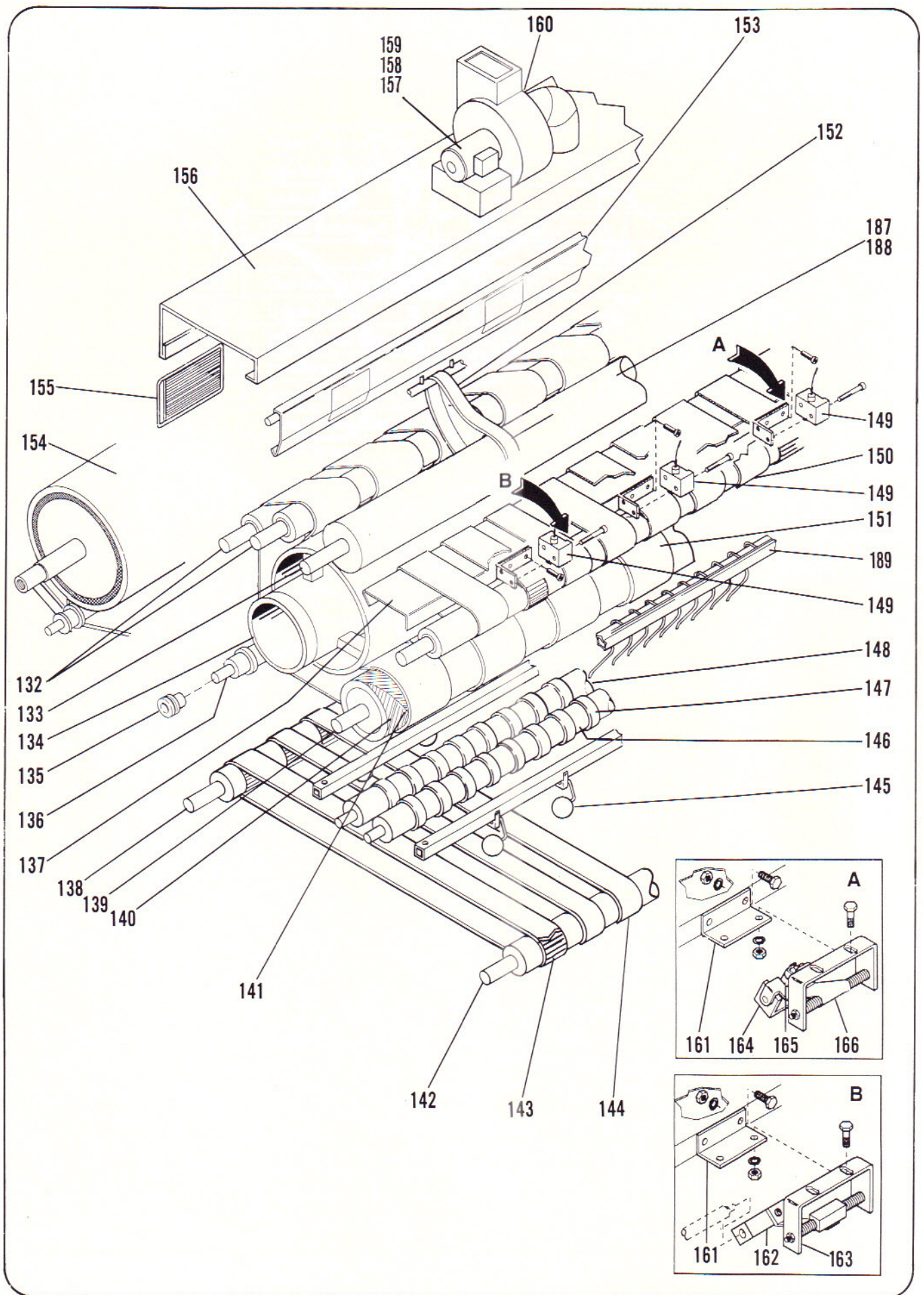
Model G/AF or S/AF 1600 - Right End



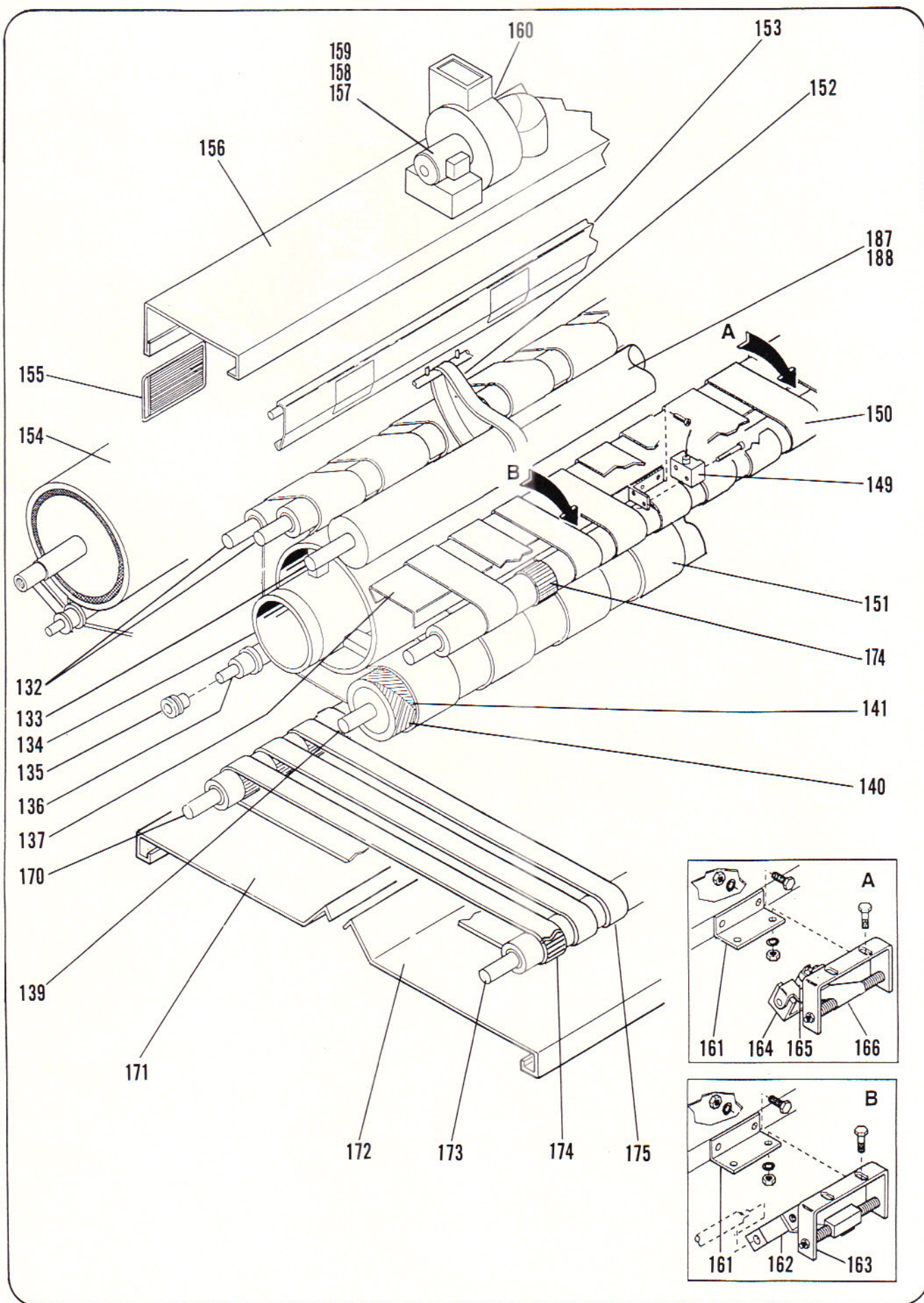
Model GR or SR 1600 - Right End



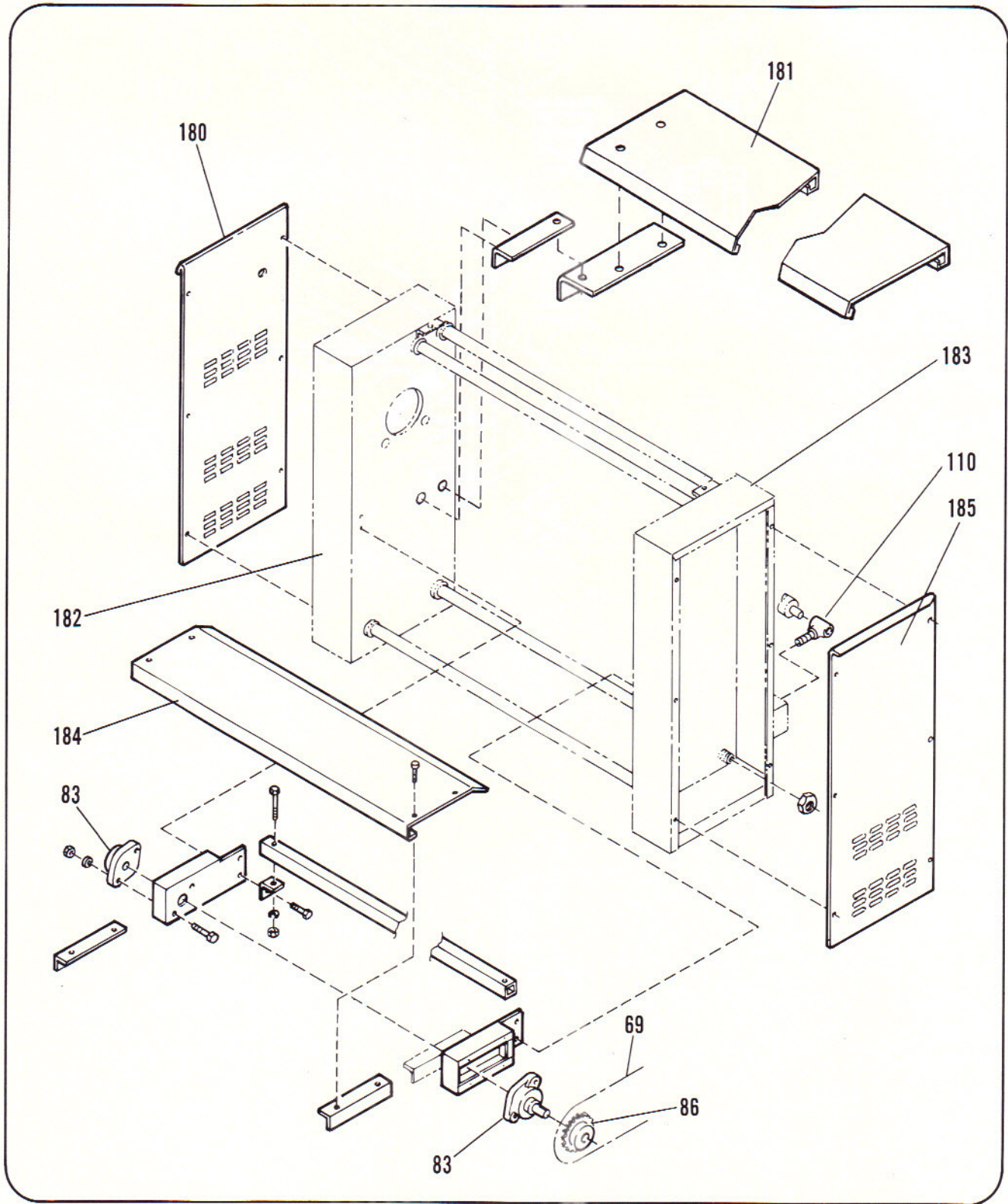
Model GF or SF 1600 - Right End



Model G/AF or S/AF 1600 - Front View



Model GR or SR 1600 - Front View



Model 1600 Frame

Any Questions?

parts@cmvsharperfinish.com
service@cmvsharperfinish.com

CMV SHARPER FINISH, INC.

4500 Augusta Boulevard • Chicago, Illinois 60651 U.S.A.

Phone (773) 276-4800 • Fax (773) 276-6878

sales@cmvsharperfinish.com