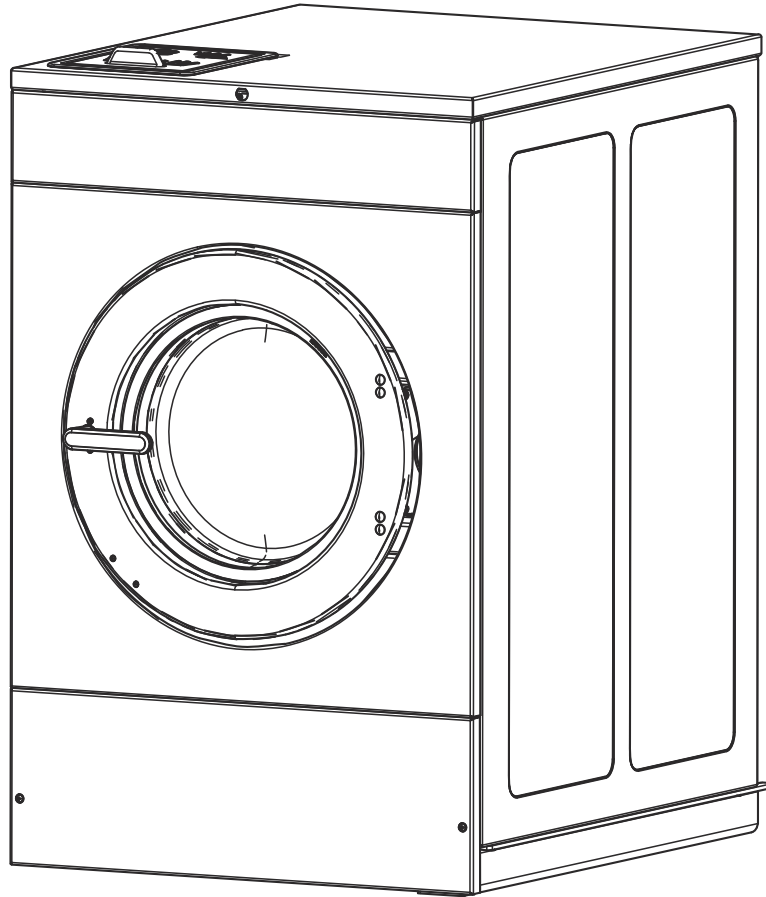


# Washer-Extractor

Cabinet Hardmount

Design 4

Refer to Page 3 for Model Numbers



C-CHM2C3\_F8668901



# Table of Contents

| Title   | Page |
|---|------|
| Parts Ordering Information.....   | 2    |
| Serial Plate Location .....   | 2    |
| Model Identification .....  | 3    |
| Product Overview - Galaxy 600 International .....                                 | 4    |
| Labels .....  | 6    |
| Control Module and Front Tray Assembly .....                                      | 8    |
| Control Tray Assembly.....  | 10   |
| Flush Mount Coin Meter Assembly - Single Drop .....                               | 12   |
| Flush Mount Coin Meter Assembly - Dual Drop.....                                  | 14   |
| Electronic Coin Meter Assembly .....  | 16   |
| Optional Coin Box.....  | 18   |
| Inverter Drive Box - 20 and 30 Pound Models with B Voltage .....                  | 20   |
| Inverter Drive Box - 20 and 30 Pound Models with N, P, Q, W, X and Y Voltage..... | 22   |
| Inverter Drive Box - 40 Pound Models with B Voltage .....                         | 24   |
| Inverter Drive Box - 40 Pound Models with N, P, Q, W, X and Y Voltage.....        | 26   |
| Inverter Drive Box - 60 Pound Models with Q and X Voltage .....                   | 28   |
| Inverter Drive Box - 60 Pound Models with N and P Voltage.....                    | 30   |
| External Supply Kit.....  | 32   |
| Inverter Drive .....  | 34   |
| Front Panels and Control Panel.....   | 36   |
| Rear and Top Panels .....   | 38   |
| Side Panels.....  | 40   |
| Door - 20 Pound Models .....  | 42   |
| Door - 30 Pound Models .....  | 44   |
| Door - 40 and 60 Pound Models .....   | 46   |
| Door Lock.....  | 48   |
| Shell Front, Basket, Shell and Frame Template .....                               | 50   |
| Bearing Housing .....   | 52   |
| Drain Plumbing .....  | 54   |
| Pump Drain Plumbing - 20, 30 and 40 Pound Models.....                             | 56   |
| Fill Plumbing - 20 Pound Models .....   | 58   |
| Fill Plumbing - 30 Pound Models .....   | 60   |
| Fill Plumbing - 40 Pound Models .....   | 62   |
| Fill Plumbing - 60 Pound Models .....   | 64   |
| Motor, Pulley and Belt - 20 and 30 Pound Models.....                              | 66   |
| Motor, Pulley and Belt - 40 and 60 Pound Models.....                              | 68   |
| Electric Heating.....   | 70   |
| Steam Heating - 40 and 60 Pound Models .....                                      | 72   |
| Special Tools and Kits .....  | 74   |
| Parts Index.....  | 77   |

© Copyright 2019, Alliance Laundry Systems LLC

All rights reserved. No part of the contents of this book may be reproduced or transmitted in any form or by any means without the expressed written consent of the publisher.

## Parts Ordering Information

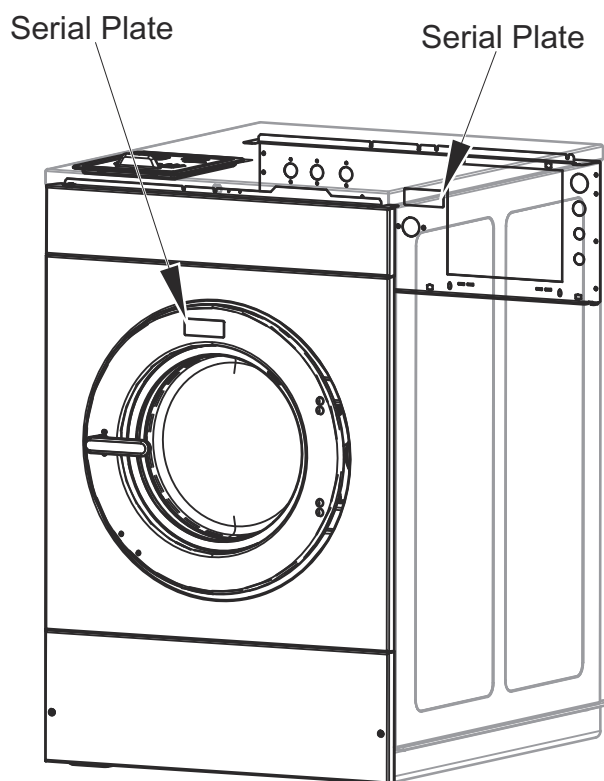
If literature or replacement parts are required, contact the source from whom the machine was purchased or contact Alliance Laundry Systems at (920) 748-3950 for the name and address of the nearest authorized parts distributor.

For technical assistance, call the number listed below:

(920) 748-3121 Ripon, Wisconsin

## Serial Plate Location

When calling or writing about your product, be sure to mention model and serial numbers. Model and serial numbers are located on serial plate(s) as shown.



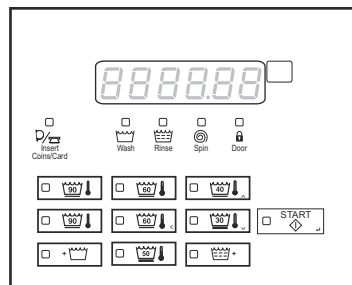
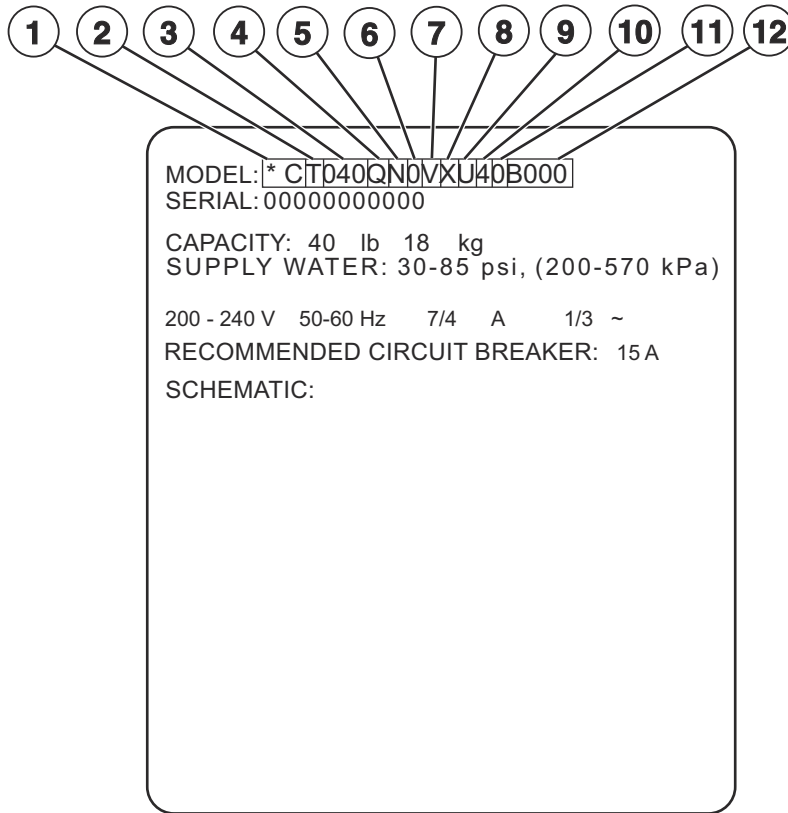
C-CHM2C2\_F8668901

## Model Identification

Information in this manual is applicable to these washer-extractor models:

|          |          |          |          |          |
|----------|----------|----------|----------|----------|
| HCA020NC | HCD030NQ | HCG020NC | HCH030NQ | HCJ060NC |
| HCA020ND | HCD030NT | HCG020ND | HCH030NT | HCJ060ND |
| HCA020NE | HCD030NV | HCG020NE | HCH030NV | HCJ060NE |
| HCA020NF | HCD030NX | HCG020NF | HCH030NX | HCJ060NF |
| HCA020NH | HCD040NC | HCG020NH | HCH040NC | HCJ060NH |
| HCA020NQ | HCD040ND | HCG020NQ | HCH040ND | HCJ060NQ |
| HCA020NT | HCD040NE | HCG020NT | HCH040NE | HCJ060NT |
| HCA020NV | HCD040NF | HCG020NV | HCH040NF | HCJ060NV |
| HCA020NX | HCD040NH | HCG020NX | HCH040NH | HCJ060NX |
| HCA030NC | HCD040NQ | HCG030NC | HCH040NQ | HCK020NH |
| HCA030ND | HCD040NT | HCG030ND | HCH040NT | HCK030NH |
| HCA030NE | HCD040NV | HCG030NE | HCH040NV | HCK040NH |
| HCA030NF | HCD040NX | HCG030NF | HCH040NX | HCK060NH |
| HCA030NH | HCE020NC | HCG030NH | HCH060NC | HCU020NC |
| HCA030NQ | HCE020ND | HCG030NQ | HCH060ND | HCU020ND |
| HCA030NT | HCE020NE | HCG030NT | HCH060NE | HCU020NE |
| HCA030NV | HCE020NF | HCG030NV | HCH060NF | HCU020NF |
| HCA030NX | HCE020NH | HCG030NX | HCH060NH | HCU020NH |
| HCA040NC | HCE020NQ | HCG040NC | HCH060NQ | HCU020NQ |
| HCA040ND | HCE020NT | HCG040ND | HCH060NT | HCU020NT |
| HCA040NE | HCE020NV | HCG040NE | HCH060NV | HCU020NV |
| HCA040NF | HCE020NX | HCG040NF | HCH060NX | HCU020NX |
| HCA040NH | HCE030NC | HCG040NH | HCJ020NC | HCU030NC |
| HCA040NQ | HCE030ND | HCG040NQ | HCJ020ND | HCU030ND |
| HCA040NT | HCE030NE | HCG040NT | HCJ020NE | HCU030NE |
| HCA040NV | HCE030NF | HCG040NV | HCJ020NF | HCU030NF |
| HCA040NX | HCE030NH | HCG040NX | HCJ020NH | HCU030NH |
| HCA060NC | HCE030NQ | HCG060NC | HCJ020NQ | HCU030NQ |
| HCA060ND | HCE030NT | HCG060ND | HCJ020NT | HCU030NT |
| HCA060NE | HCE030NV | HCG060NE | HCJ020NV | HCU030NV |
| HCA060NF | HCE030NX | HCG060NF | HCJ020NX | HCU030NX |
| HCA060NH | HCE040NC | HCG060NH | HCJ030NC | HCU040NC |
| HCA060NQ | HCE040ND | HCG060NQ | HCJ030ND | HCU040ND |
| HCA060NT | HCE040NE | HCG060NT | HCJ030NE | HCU040NE |
| HCA060NV | HCE040NF | HCG060NV | HCJ030NF | HCU040NF |
| HCA060NX | HCE040NH | HCG060NX | HCJ030NH | HCU040NH |
| HCD020NC | HCE040NQ | HCH020NC | HCJ030NQ | HCU040NQ |
| HCD020ND | HCE040NT | HCH020ND | HCJ030NT | HCU040NT |
| HCD020NE | HCE040NV | HCH020NE | HCJ030NV | HCU040NV |
| HCD020NF | HCE040NX | HCH020NF | HCJ030NX | HCU040NX |
| HCD020NH | HCE060NC | HCH020NH | HCJ040NC | HCU060NC |
| HCD020NQ | HCE060ND | HCH020NQ | HCJ040ND | HCU060ND |
| HCD020NT | HCE060NE | HCH020NT | HCJ040NE | HCU060NE |
| HCD020NV | HCE060NF | HCH020NV | HCJ040NF | HCU060NF |
| HCD020NX | HCE060NH | HCH020NX | HCJ040NH | HCU060NH |
| HCD030NC | HCE060NQ | HCH030NC | HCJ040NQ | HCU060NQ |
| HCD030ND | HCE060NT | HCH030ND | HCJ040NT | HCU060NT |
| HCD030NE | HCE060NV | HCH030NE | HCJ040NV | HCU060NV |
| HCD030NF | HCE060NX | HCH030NF | HCJ040NX | HCU060NX |
| HCD030NH |          | HCH030NH |          |          |

# Product Overview - Galaxy 600 International



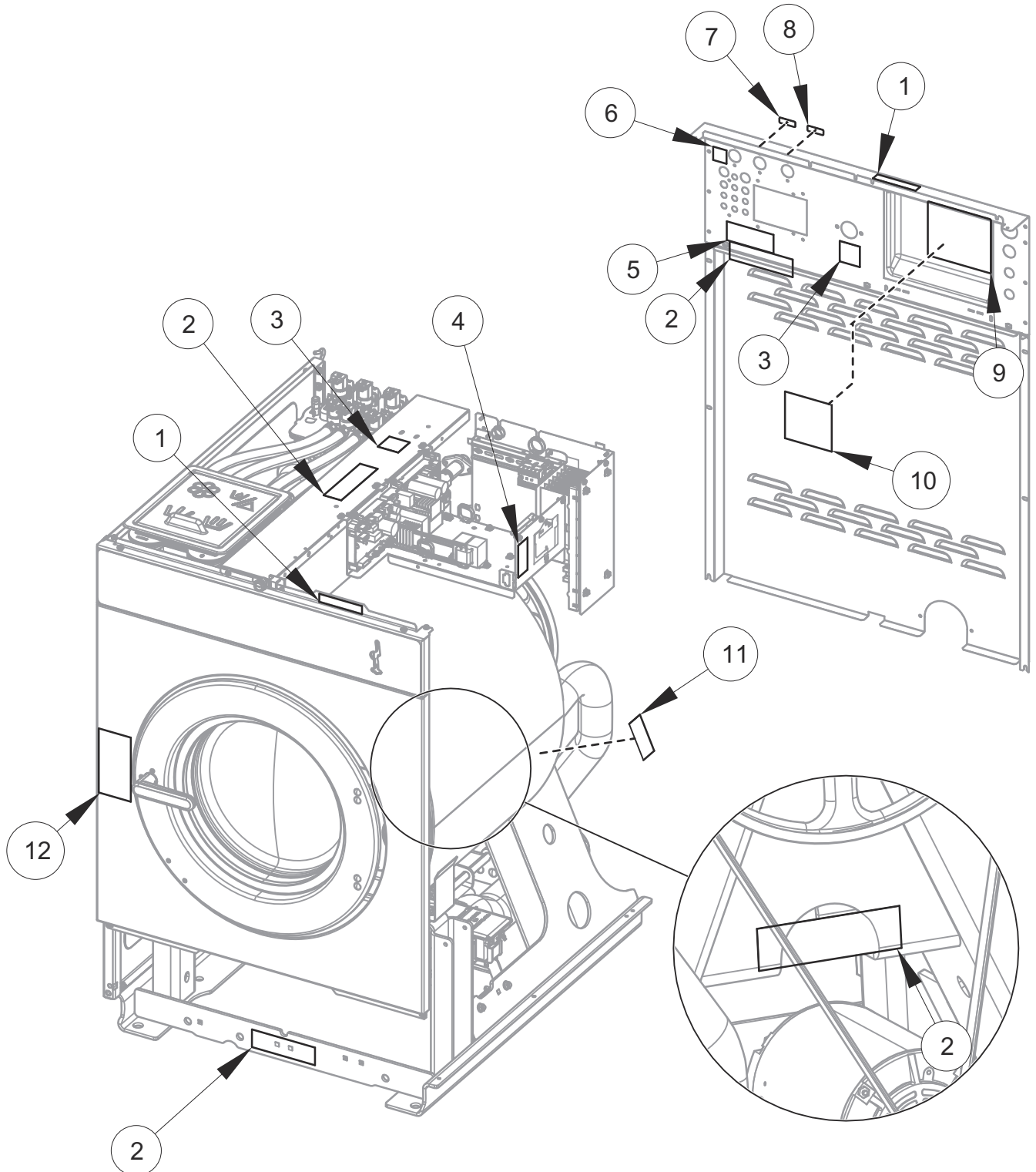
Galaxy 600 International

CHM3489P\_F8668901

# Product Overview - Galaxy 600 International

| REF | PART NO. | DESCRIPTION                     | COMMENTS  |
|-----|----------|---------------------------------|---|
| 1   | -        | Product Family                  | HC  |
| 2   | -        | Market Approvals                | A (Australia IEC)<br>D (Brazil IEC)<br>G (International)<br>H (China-ROHS IEC)<br>J (Japan-PSE IEC)<br>K (Korea IEC)<br>L (Thailand-TISI IEC)<br>U (International CE/EAC IEC)   |
| 3   | -        | Capacity (Dry Weight in Pounds) | 020<br>030<br>040<br>060  |
| 4   | -        | Control                         | N   |
| 5   | -        | Actuation                       | L (Central Pay)<br>X (Prep for Coin)<br>Y (Prep for Card)<br>C (Single Coin)<br>D (Dual Coin)<br>E (Electronic Drop)<br>T (Token)<br>F (Single Coin + CD Lock and Key)<br>Q (Dual Coin + CD Lock and Key)<br>H (Electronic Drop + CD Lock and Key)<br>V (Token + CD Lock and Key) |
| 6   | -        | Coin Meter                      | 0 (Standard)<br>1 (CD Lock and Key)   |
| 7   | -        | Speed                           | F (F-Speed)<br>V (V-Speed)  |
| 8   | -        | Voltage                         | B (120/60/1)<br>W (200-240/50/1/3)<br>Y (200-240/60/1/3)<br>X (200-240/50-60/1/3)<br>Q (200-240/50-60/3)<br>P (380-415/50-60/3)<br>N (440-480/50-60/3)  |
| 9   | -        | Panel                           | B (Chrome Door)<br>C (Chrome Door)<br>U (Vinyl)<br>1 (Stainless Steel Side)   |
| 10  | -        | Design                          | 4   |
| 11  | -        | Heat                            | 0 (Standard)<br>D (Steam)<br>E (Electric Heat)<br>P (Prep for Steam)  |
| 12  | -        | Features and Options            |   |

# Labels



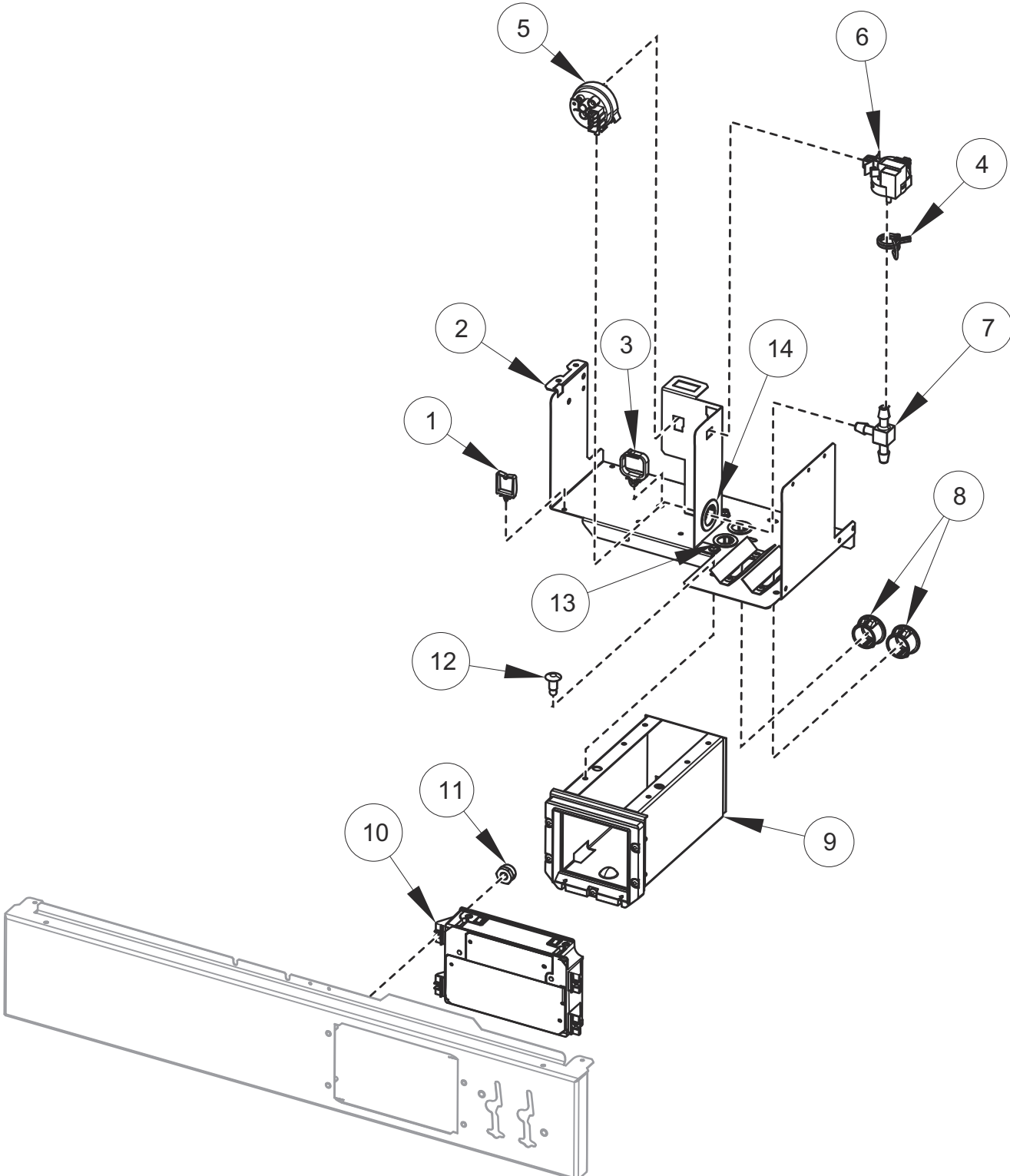
C-CHM2P27\_F8668901



# Labels

| REF | PART NO. | DESCRIPTION               | COMMENTS                                   |
|-----|----------|---------------------------|--|
| 1   | F8614501 | Danger Label              | English/Quebec/French                      |
| 2   | 44324001 | Warning Label             | Pinch/Shock; English/French                |
|     | F8614201 | Shock Warning Label       | Icon                                       |
|     | F8615701 | Pinch Warning Label       | Icon                                       |
| 3   | F8614301 | Hot Surface Warning Label | English/Quebec/French                      |
|     | F8609001 | Hot Surface Warning Label | Icon                                       |
| 4   | F8601301 | Label                     | Warning; Underground components            |
| 5   | F8609401 | Label                     | Notice; Chemical connection                |
| 6   | 203853   | Label                     | ROHS (China)                               |
| 7   | F8611301 | Label                     | Hot water; Icon                            |
| 8   | F8611401 | Label                     | Cold water; Icon                           |
| 9   | F8605501 | Label                     | Warning; English/Quebec/French             |
| 10  | F8602401 | Label                     | Notice; Large expansion board              |
| 11  | 70538401 | Pinch Warning Label       | English/French                             |
|     | F8615701 | Pinch Warning Label       | Icon                                       |
| 12  | F8614801 | Label                     | Warning fire/injury; English/Quebec/French |

# Control Module and Front Tray Assembly

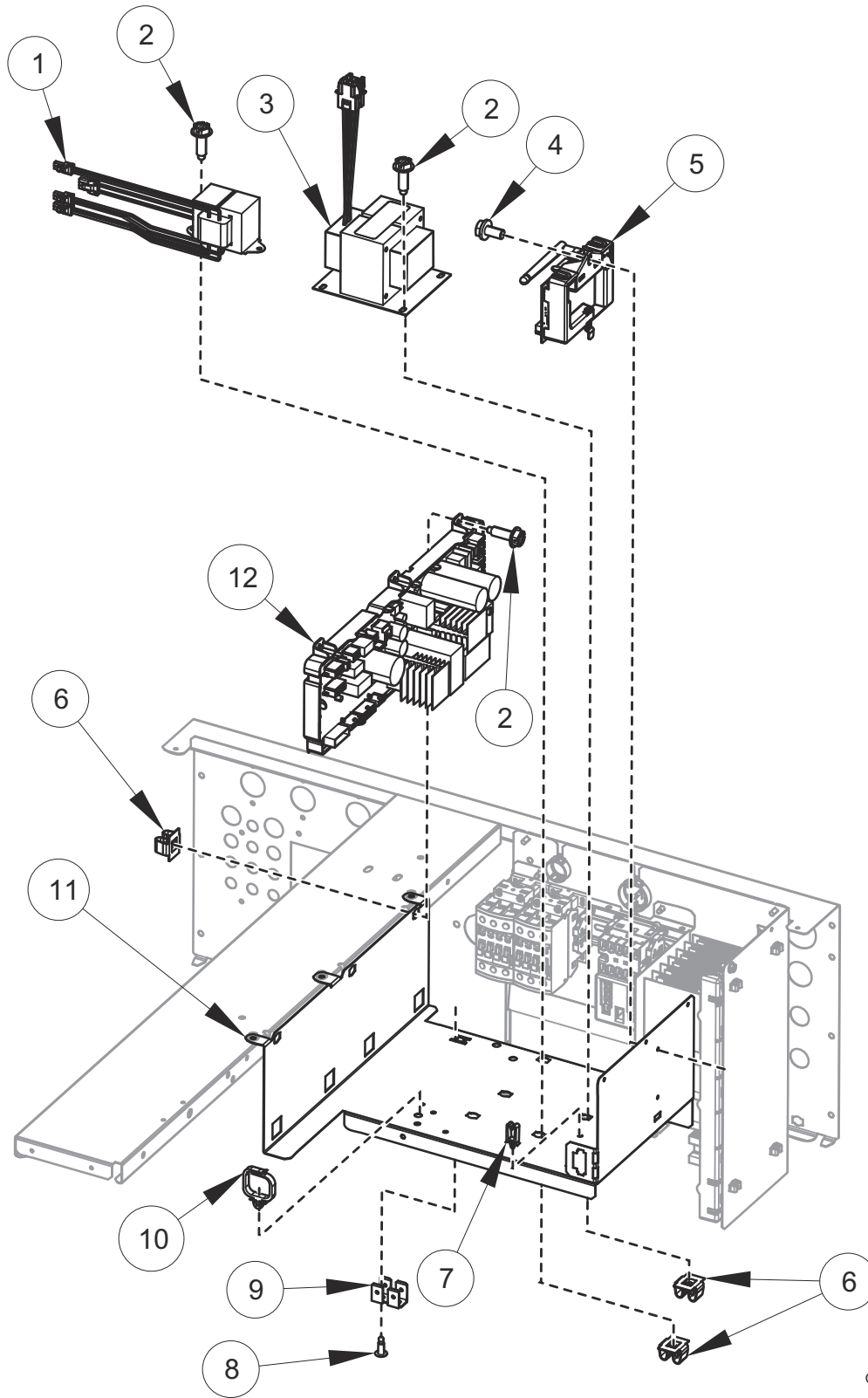


C-CHM5P1\_F8668901

# Control Module and Front Tray Assembly

| REF       | PART NO. | DESCRIPTION                   | COMMENTS  |
|-----------|----------|-------------------------------|---|
|           | 203361P  | Machine ID Control Assembly   |   |
|           | F8567301 | Front Tray Assembly           | 20 pound models; Includes items 1-3, 6, 8, 9, 12-14, 70413301 Pushbutton Switch and F8519701 Coin Vault Harness                       |
|           | F8567304 | Front Tray Assembly           | 20 pound models; Steam or electric heat; Includes items 1-9, 12-14, 70413301 Pushbutton Switch and F8519701 Coin Vault Harness        |
|           | F8567302 | Front Tray Assembly           | 30 pound models; Includes items 1-3, 6, 8, 9, 12-14, 70413301 Pushbutton Switch and F8519701 Coin Vault Harness                       |
|           | F8567305 | Front Tray Assembly           | 30 pound models; Steam or electric heat; Includes items 1-9, 12-14, 70413301 Pushbutton Switch and F8519701 Coin Vault Harness        |
|           | F8567303 | Front Tray Assembly           | 40 and 60 pound models; Includes items 1-3, 6, 8, 9, 12-14, 70413301 Pushbutton Switch and F8519701 Coin Vault Harness                |
|           | F8567306 | Front Tray Assembly           | 40 and 60 pound models; Steam or electric heat; Includes items 1-9, 12-14, 70413301 Pushbutton Switch and F8519701 Coin Vault Harness |
|           | F8519701 | Coin Vault Harness            |   |
|           | F8519301 | Harness                       | Tray power harness  |
|           | F8519501 | Harness                       | Communication; 20 and 30 pound models   |
|           | F8519502 | Harness                       | Communication; 40 and 60 pound models   |
|           | F8519601 | Harness                       | Coin access   |
|           | F8519403 | Emergency Stop Bypass Harness |   |
| <b>1</b>  | 70366201 | Wire Clip                     |   |
| <b>2</b>  | F8531001 | Front Tray Assembly           |   |
| <b>3</b>  | F8449501 | Wire Clip                     |   |
| <b>4</b>  | 39282    | Hose Clamp                    |   |
| <b>5</b>  | F8609101 | Water Level Pressure Switch   | Steam or electric heat  |
|           | F8405303 | Tubing                        | Electric heat   |
| <b>6</b>  | F8623401 | Pressure Sensor               |   |
|           | F8405302 | Tubing                        | Electric heat   |
| <b>7</b>  | 203464   | Barbed Tee                    | Steam or electric heat  |
| <b>8</b>  | M411826  | Snap Bushing                  |   |
| <b>9</b>  | F8529101 | Coin Vault Assembly           |   |
| <b>10</b> | F8493901 | Control Assembly              |   |
| <b>11</b> | 685846   | Nut                           |   |
| <b>12</b> | 70058501 | Pop Rivet                     |   |
| <b>13</b> | F140938  | Snap Bushing                  |   |
| <b>14</b> | M402542  | Snap Bushing                  |   |

# Control Tray Assembly

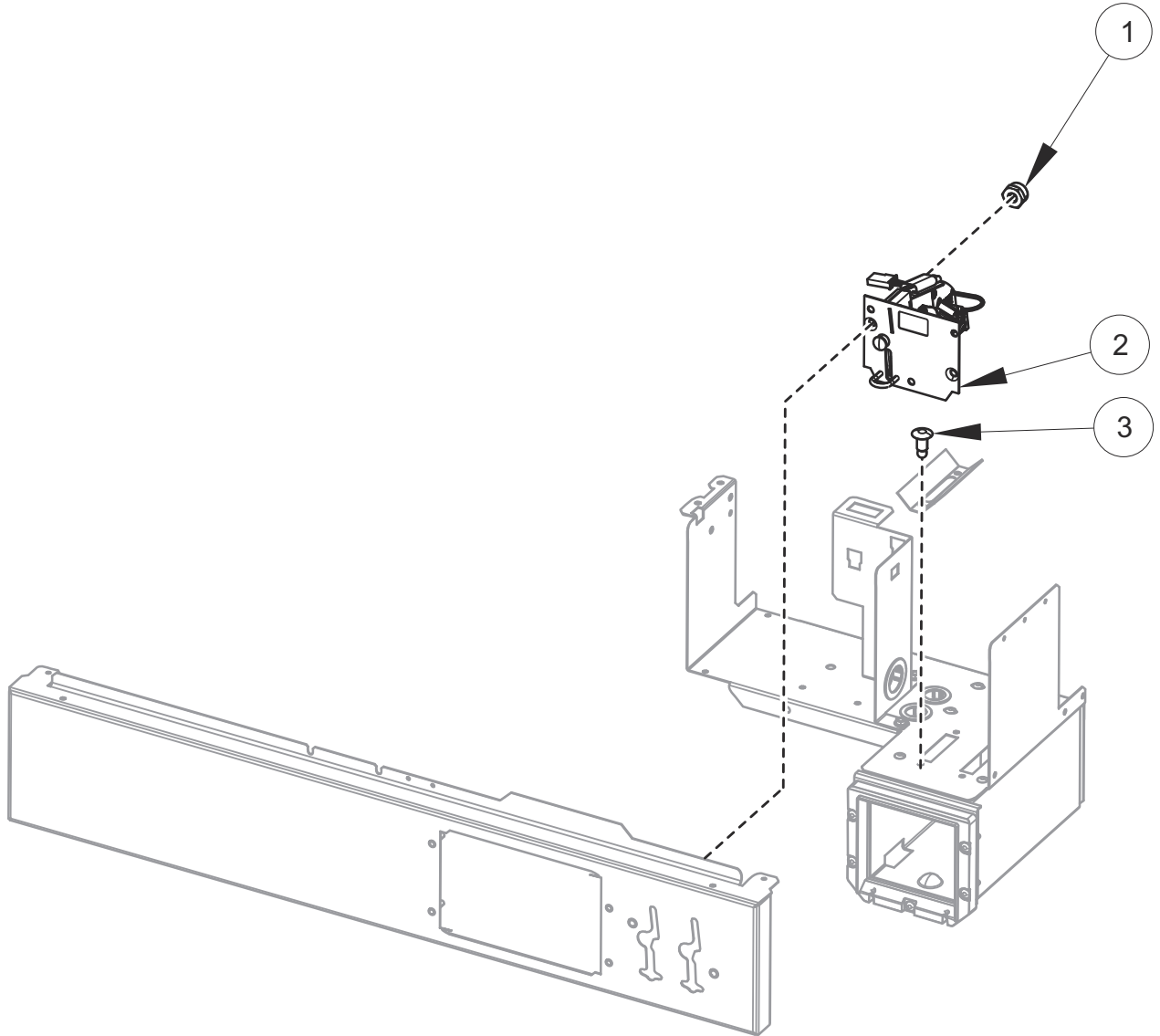


C-CHM5P2\_F8668901

# Control Tray Assembly

| REF       | PART NO.  | DESCRIPTION                       | COMMENTS  |
|-----------|-----------|-----------------------------------|---|
|           | F8520403  | Wireless Harness                  | 20 and 30 pound models through January 2019   |
|           | F8674003  | Wireless Harness                  | 20 and 30 pound models starting February 2019   |
|           | F8520404  | Wireless Harness                  | 40 and 60 pound models through January 2019   |
|           | F8674004  | Wireless Harness                  | 40 and 60 pound models starting February 2019   |
|           | F8662401  | Wireless Kit                      | 20 and 30 pound models through January 2019;<br>Includes items 4, 5, F8520403 Wireless Harness and labels   |
|           | F8676001  | Wireless Kit                      | 20 and 30 pound models starting February 2019;<br>Includes items 4, 5, F8674003 Wireless Harness and labels |
|           | F8662402  | Wireless Kit                      | 40 and 60 pound models through January 2019;<br>Includes items 4, 5, F8520404 Wireless Harness and labels   |
|           | F8676101  | Wireless Kit                      | 40 and 60 pound models starting February 2019;<br>Includes items 4, 5, F8674004 Wireless Harness and labels |
|           | 204145P   | Gateway                           | Models starting February 2019   |
| <b>1</b>  | 202757    | Transformer                       | B voltage with external supply  |
|           | 202758    | Transformer                       | N, P, Q, W, X and Y voltage with external supply  |
| <b>2</b>  | F8206901  | Screw                             |   |
| <b>3</b>  | F8491101  | Transformer                       | N and P voltage   |
| <b>4</b>  | 430497    | Screw                             |   |
| <b>5</b>  | 203532    | Wireless Network Control Assembly | Models through January 2019   |
|           | 807211    | Wireless Network Control Assembly | Models starting February 2019   |
| <b>6</b>  | 70030501  | Expansion Clip                    |   |
| <b>7</b>  | 70347601  | Wire Clip                         | External supply   |
| <b>8</b>  | M400003   | Pop Rivet                         |   |
| <b>9</b>  | 00622SG   | Terminal                          |   |
| <b>10</b> | F8449501  | Wire Clip                         |   |
| <b>11</b> | F8530701  | Control Tray                      |   |
| <b>12</b> | F8494101P | Input and Output Control Assembly |   |

# Flush Mount Coin Meter Assembly - Single Drop

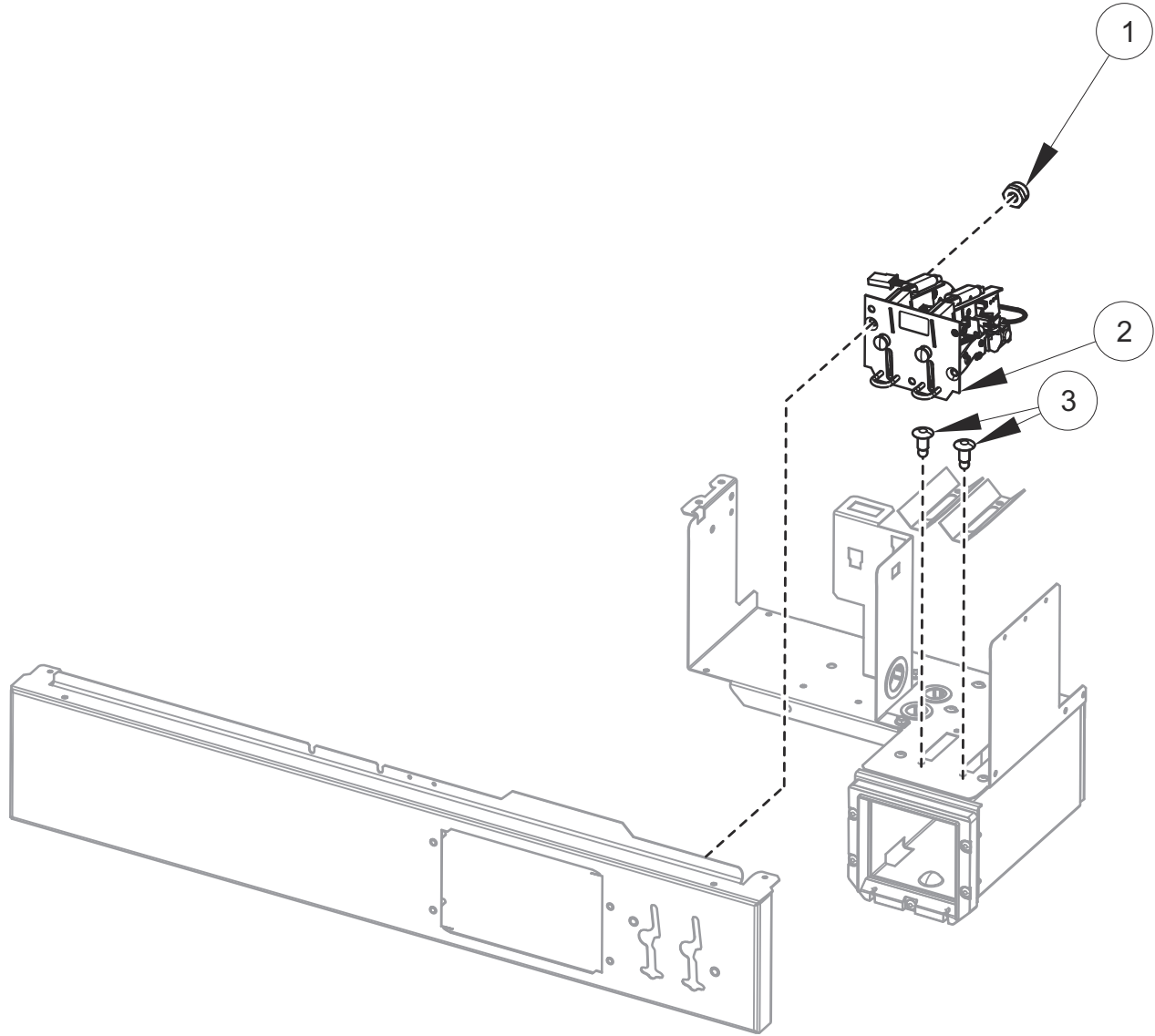


C-CHM6P7\_F8668901

## Flush Mount Coin Meter Assembly - Single Drop

| REF      | PART NO.  | DESCRIPTION               | COMMENTS              |
|----------|-----------|---------------------------|-----------------------|
|          | 38725     | Coin Identification Paper |                       |
|          | 200674P   | Opto Coupler              |                       |
| <b>1</b> | 685846    | Nut                       |                       |
| <b>2</b> | 70441601P | Coin Drop                 | U.S.A.; \$.25         |
|          | 38475     | Coin Drop Assembly        | Japan; 100 yen        |
|          | 38464P    | Coin Drop Assembly        | Canada; .25           |
|          | CK077     | Coin Drop Kit             | Taiwan; 10 NT         |
|          | 70506901  | Coin Drop Assembly        | Singapore; \$1.00 NEW |
|          | 38462P    | Coin Drop Assembly        | Token; STD 118-1      |
|          | 38463     | Coin Drop Assembly        | Token; STD 118-5      |
|          | 38963P    | Coin Drop                 | Token STD 118-16      |
|          | 39748     | Coin Drop                 | Jeton 08MS            |
|          | 201141    | Coin Drop Assembly        | Token; Jeton wh121    |
|          | 70471601  | Coin Drop Assembly        | Token; 7K             |
| <b>3</b> | 70058501  | Pop Rivet                 |                       |

# Flush Mount Coin Meter Assembly - Dual Drop



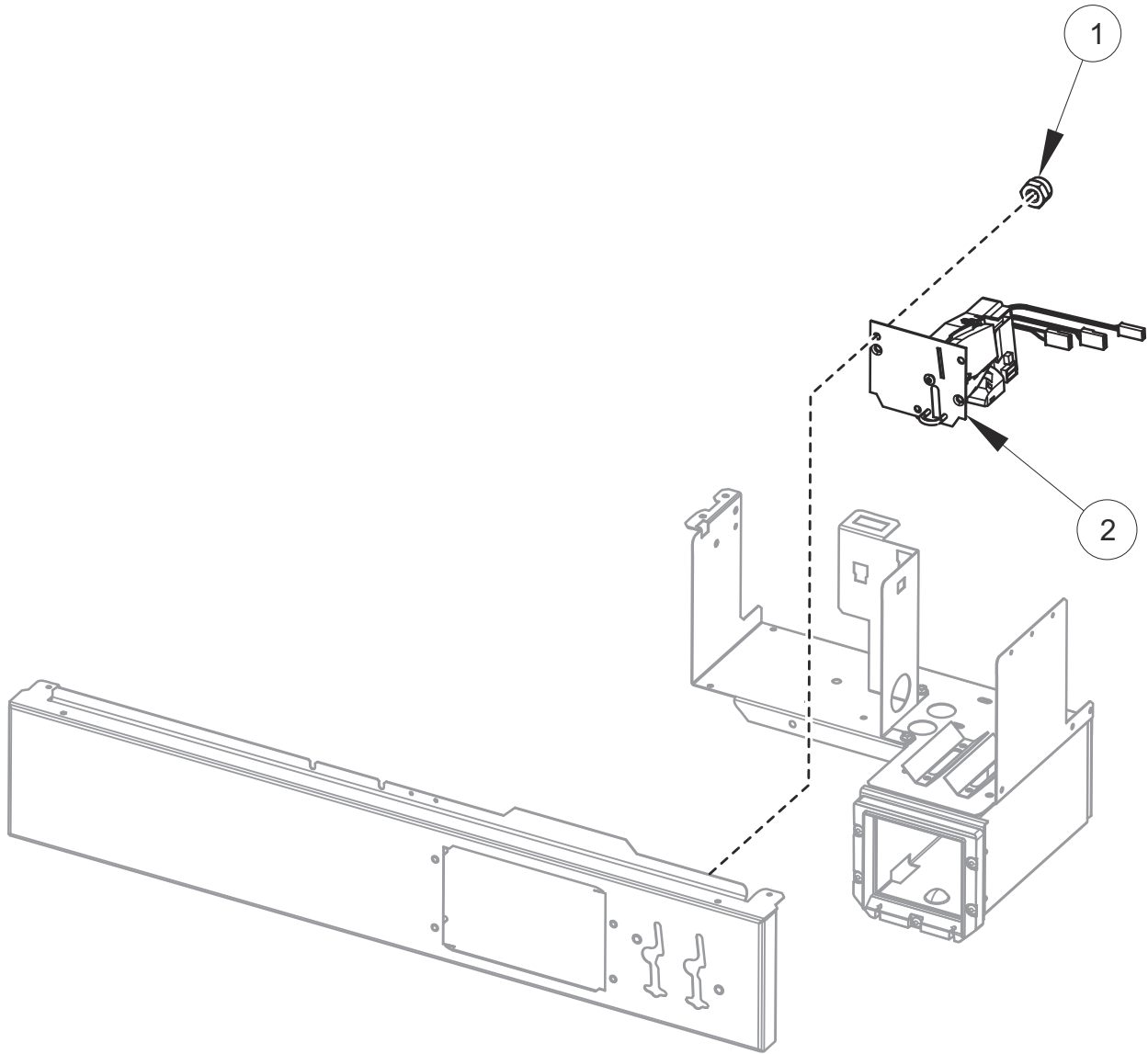
C-CHM6P8\_F8668901



## Flush Mount Coin Meter Assembly - Dual Drop

| REF      | PART NO.    | DESCRIPTION               | COMMENTS                       |
|----------|-------------|---------------------------|--------------------------------|
|          | 38725       | Coin Identification Paper |                                |
|          | 200674P     | Opto Coupler              |                                |
| <b>1</b> | 685846      | Nut                       |                                |
| <b>2</b> | 70441603    | Coin Drop                 | U.S.A.; \$.25 and \$1.00       |
|          | 38519       | Coin Drop Assembly        | Japan; 100 yen and 500 yen     |
|          | 70441602    | Coin Drop Assembly        | Canada; .25 and \$1.00         |
|          | 38467       | Coin Drop Assembly        | Australia; \$0.20 and \$1.00   |
|          | 70447301    | Coin Drop Assembly        | Australia; \$1.00 and \$2.00   |
|          | 70283102    | Coin Drop Assembly        | 0.20 and 0.50 Euro             |
|          | 210195      | Coin Drop Assembly        | 0.20 and 1.00 Euro             |
|          | 210196      | Coin Drop Assembly        | 0.50 and 1.00 Euro             |
|          | F0160737-00 | Coin Meter                | 0.50 and 2.00 Euro             |
|          | 70281102    | Coin Drop Assembly        | Taiwan; 10 and 50 NT           |
|          | 70482401    | Coin Drop Assembly        | New Zealand; \$1.00 and \$2.00 |
| <b>3</b> | 70058501    | Pop Rivet                 |                                |

# Electronic Coin Meter Assembly

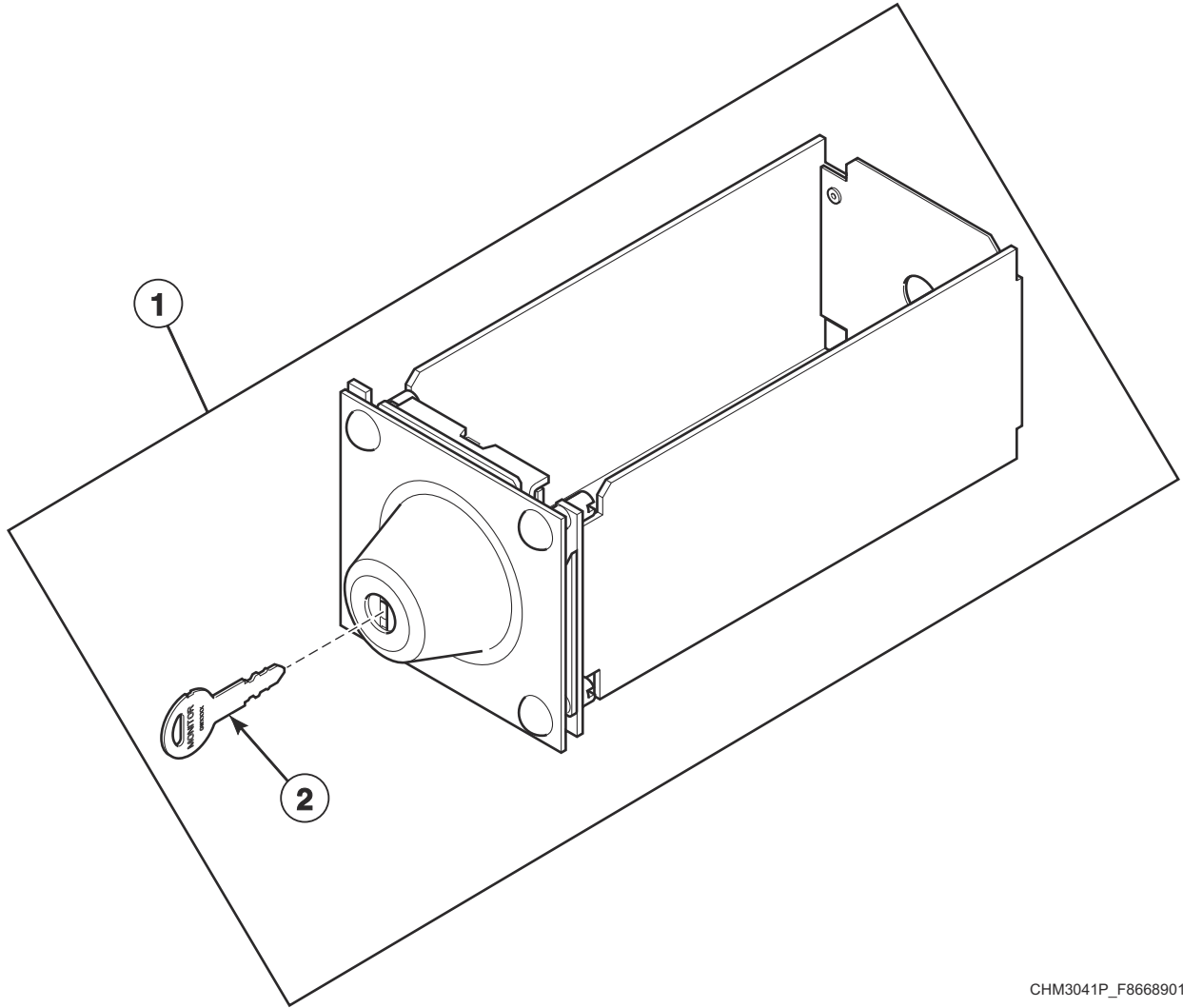


C-CHM6P6\_F8668901

# Electronic Coin Meter Assembly

| REF      | PART NO.  | DESCRIPTION                   | COMMENTS  |
|----------|-----------|-------------------------------|---|
|          | 38725     | Coin Identification Paper     |   |
|          | CK500     | Electronic Coin Drop Kit      | For use when installing Electronic Coin Drop Kits   |
|          | F8034701P | Pulse Expander Assembly       |   |
| <b>1</b> | F430215   | Nut                           |   |
| <b>2</b> | 70513302  | Electronic Coin Drop Assembly | Euro and Great Britain coins  |
|          | 70513310  | Electronic Coin Drop Assembly | Japan and Thailand coins  |
|          | 70513304  | Electronic Coin Drop Assembly | Australia, New Zealand, Hong Kong and South Korea coins   |
|          | 70513303  | Electronic Coin Drop Assembly | Denmark, Norway and Euro coins  |
|          | 70513306  | Electronic Coin Drop Assembly | Mexico, Ecuador and U.S.A. coins  |
|          | 70294107  | Electronic Coin Drop Assembly | Lithuania, Latvia and Euro coins  |
|          | 70513311  | Electronic Coin Drop Assembly | Chiand Malaysia coins   |
|          | 70513308  | Electronic Coin Drop Assembly | South African 1 and 5 rand coins  |
|          | 70513309  | Electronic Coin Drop Assembly | Euro coins  |
|          | 70513312  | Electronic Coin Drop Assembly | Russia coins  |
|          | 70513313  | Electronic Coin Drop Assembly | Philippines coins   |
|          | 70513314  | Electronic Coin Drop Assembly | Thailand coins  |
|          | 70513315  | Electronic Coin Drop Assembly | Chile coins   |
|          | 70513316  | Electronic Coin Drop Assembly | Singapore coins   |
|          | CK115     | Electronic Coin Drop Kit      | United States and Canada; Includes 38725 Coin Identification Paper  |
|          | CK099     | Electronic Coin Drop Kit      | Australia (default), New Zealand, Hong Kong, South Korea and Malaysia; Includes 38725 Coin Identification Paper |
|          | CK100     | Electronic Coin Drop Kit      | United Kingdom (default) and Europe; Includes 38725 Coin Identification Paper                                   |
|          | CK101     | Electronic Coin Drop Kit      | Europe (default), Denmark and Norway; Includes 38725 Coin Identification Paper                                  |
|          | CK108     | Electronic Coin Drop Kit      | South Africa; Includes 38725 Coin Identification Paper  |
|          | CK109     | Electronic Coin Drop Kit      | Euro; Includes 38725 Coin Identification Paper  |
|          | CK110     | Electronic Coin Drop Kit      | Mexico (default), Ecuador and United States; Includes 38725 Coin Identification Paper                           |
|          | CK113     | Electronic Coin Drop Kit      | Japan and Taiwan; Includes 38725 Coin Identification Paper  |
|          | CK116     | Electronic Coin Drop Kit      | Malaysia (default) and China; Includes 38725 Coin Identification Paper  |
|          | CK117     | Electronic Coin Drop Kit      | Russia; Includes 38725 Coin Identification Paper  |
|          | CK118     | Electronic Coin Drop Kit      | Philippine; Includes 38725 Coin Identification Paper  |
|          | CK119     | Electronic Coin Drop Kit      | Thailand; Includes 38725 Coin Identification Paper  |
|          | CK120     | Electronic Coin Drop Kit      | Chile; Includes 38725 Coin Identification Paper   |
|          | CK121     | Electronic Coin Drop Kit      | Singapore; Includes 38725 Coin Identification Paper   |
|          | CK122     | Coin Drop Kit                 | New Zealand; 1.00 and 2.00; Includes 38725 Coin Identification Paper  |

# Optional Coin Box

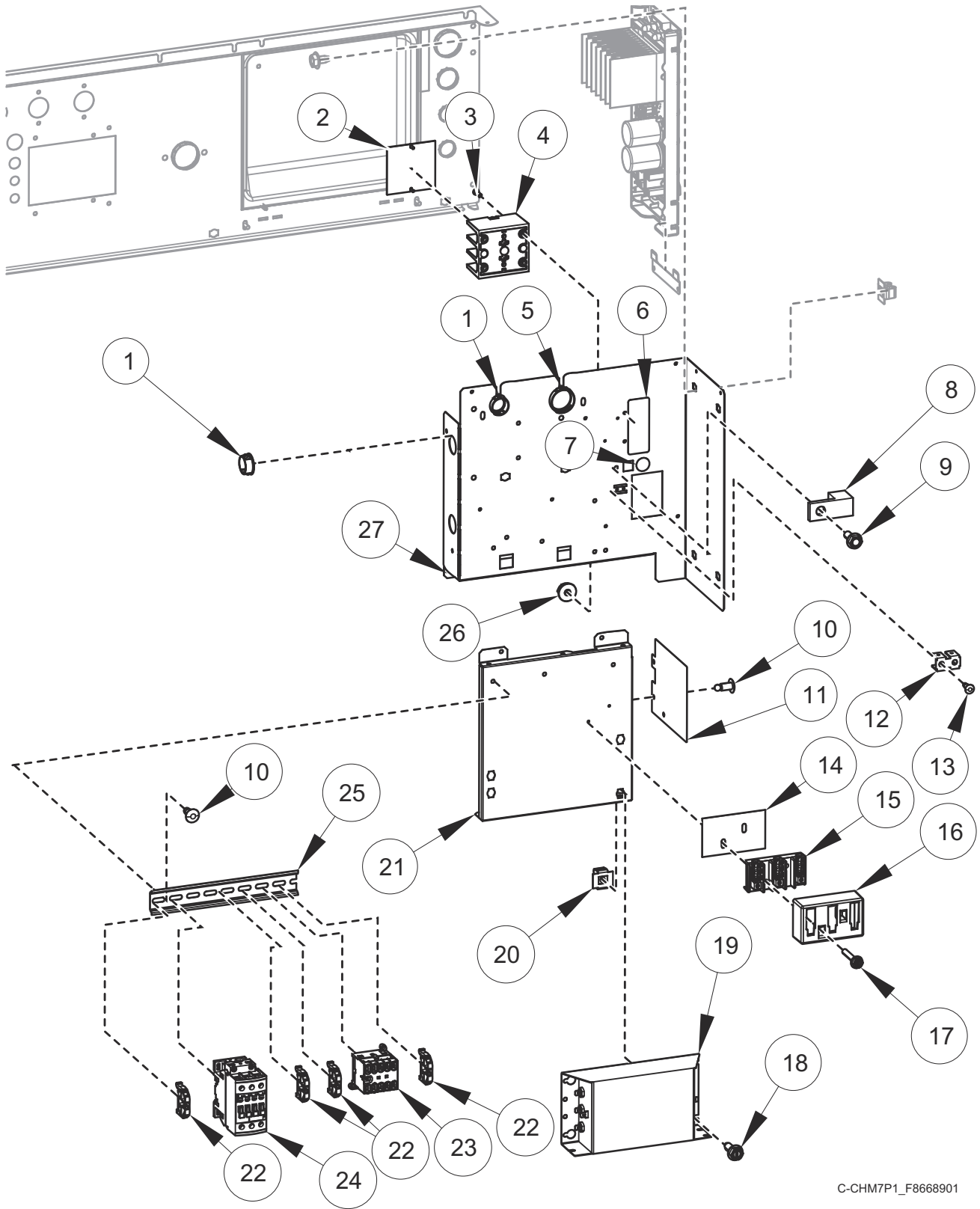


CHM3041P\_F8668901

# Optional Coin Box

| REF | PART NO. | DESCRIPTION          | COMMENTS |
|-----|----------|----------------------|----------|
| 1   | F8182001 | Coin Drawer Assembly |          |
| 2   | F160420  | Key                  | GW0023   |

# Inverter Drive Box - 20 and 30 Pound Models with B Voltage

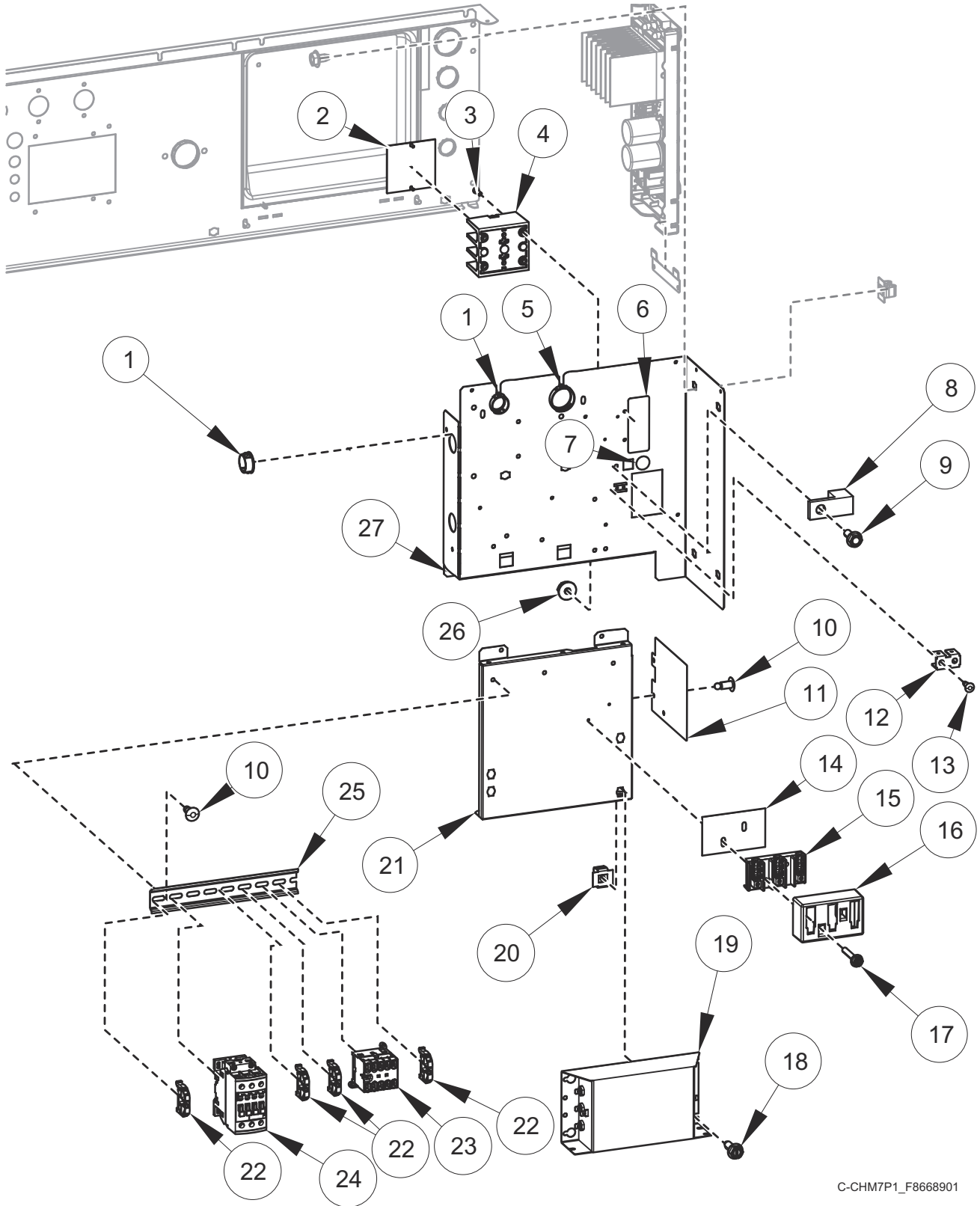


C-CHM7P1\_F8668901

## Inverter Drive Box - 20 and 30 Pound Models with B Voltage

| REF       | PART NO.  | DESCRIPTION                    | COMMENTS                                      |
|-----------|-----------|--------------------------------|---|
|           | F8567001  | Drive Panel Base Assembly      | Includes items 10-13, 21, 25 and 27           |
|           | F8662801  | Filter Kit                     | Includes items 1, 14-20, harnesses and labels |
|           | F8518405  | Harness                        | Power TB1                                     |
|           | F8518604  | Harness                        | Power drive                                   |
|           | F8528001  | Harness                        | TB filter                                     |
|           | F8528002  | Harness                        | PDB filter; Electric heat                     |
|           | F8528004  | Harness                        | TB Filter                                     |
|           | F8528006  | Harness                        | TB2 Filter                                    |
|           | F8619101  | Power Harness                  | Power contactor; Electric heat                |
|           | F8619102  | Harness                        | Power contactor; Electric heat                |
| <b>1</b>  | F140938   | Snap Bushing                   |   |
| <b>2</b>  | 44014901P | Power Distribution Block Cover | Electric heat                                 |
| <b>3</b>  | 39733     | Screw                          | Electric heat                                 |
| <b>4</b>  | M413865   | Power Distribution Block       | Electric heat                                 |
| <b>5</b>  | 70346501  | Bushing                        |   |
| <b>6</b>  | 44286801  | Label                          | Power input; L1, N                            |
| <b>7</b>  | D516100   | Label                          |   |
| <b>8</b>  | M411283   | Ground Lug Connector           |   |
| <b>9</b>  | 685837    | Screw                          |   |
| <b>10</b> | 70058501  | Pop Rivet                      |   |
| <b>11</b> | F8616901  | Drive Shield                   |   |
| <b>12</b> | 00622SG   | Terminal                       |   |
| <b>13</b> | M400003   | Pop Rivet                      |   |
| <b>14</b> | M413862   | Insulator                      |   |
| <b>15</b> | 430642    | Terminal Block                 |   |
| <b>16</b> | 70333001  | Terminal Block Shield          |   |
| <b>17</b> | 51783     | Screw                          |   |
| <b>18</b> | F8206901  | Screw                          |   |
| <b>19</b> | F8591601  | EMI Filter                     |   |
| <b>20</b> | 70030501  | Expansion Clip                 |   |
| <b>21</b> | F8530901  | Contactory Tray                |   |
| <b>22</b> | F8449801  | End Stop                       |   |
| <b>23</b> | 70482601  | Contactory                     | 5.5kW/500V; 24VDC                             |
| <b>24</b> | 70482701  | Contactory                     | 50A; 24VDC                                    |
| <b>25</b> | M412689   | DIN Rail                       | 7.5 mm x 35 mm x 8.364 inch                   |
| <b>26</b> | 44088001  | Nut                            |   |
| <b>27</b> | F8530801  | Drive Terminal Tray            |   |

# Inverter Drive Box - 20 and 30 Pound Models with N, P, Q, W, X and Y Voltage



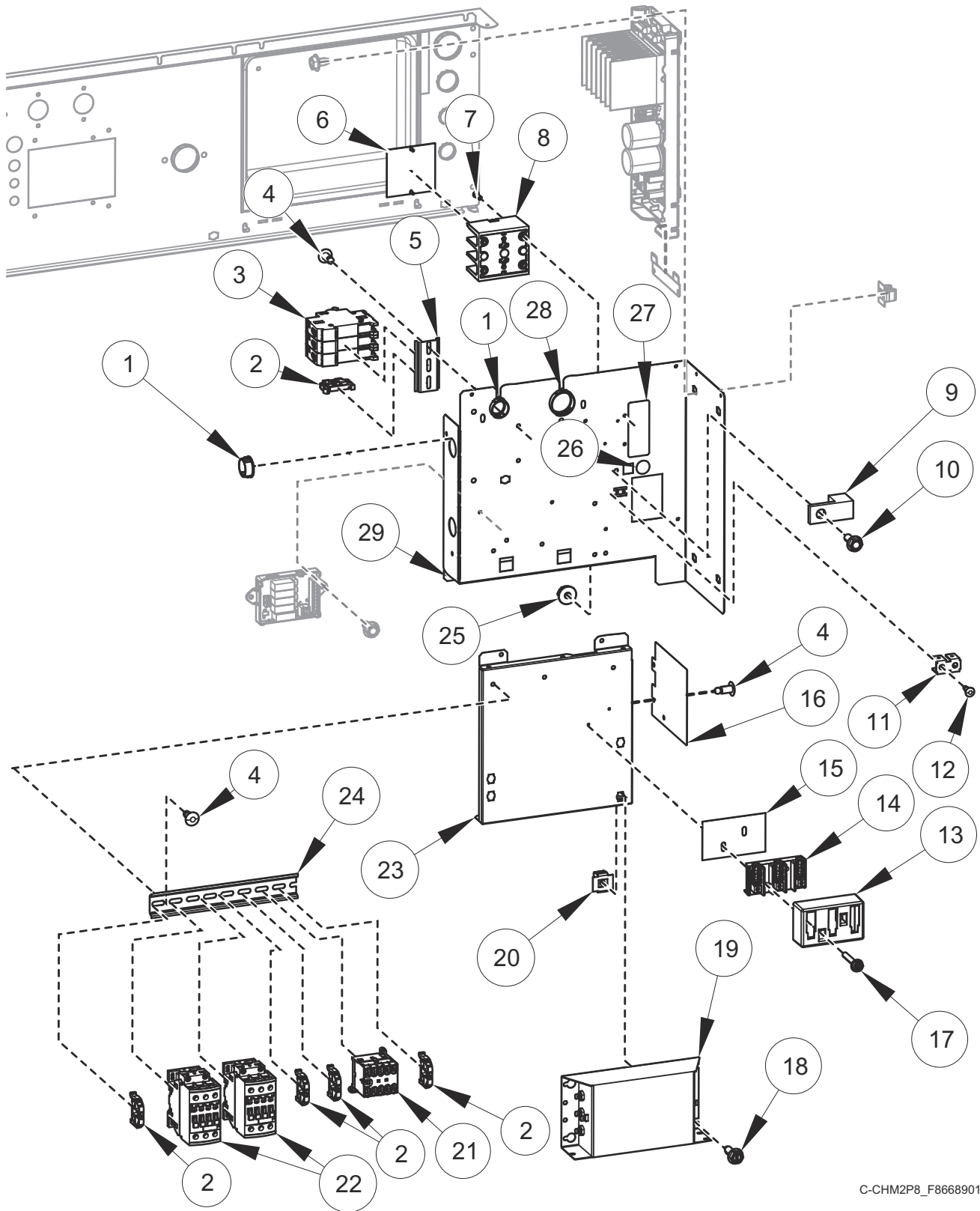
C-CHM7P1\_F8668901



## Inverter Drive Box - 20 and 30 Pound Models with N, P, Q, W, X and Y Voltage

| REF       | PART NO.  | DESCRIPTION                    | COMMENTS  |
|-----------|-----------|--------------------------------|---|
|           | F8567001  | Drive Panel Base Assembly      | Includes items 10-13, 21, 25 and 27   |
|           | F8518401  | Harness                        | Power TB1; W, X and Y voltage   |
|           | F8518501  | Harness                        | Power TB1; N and P voltage  |
|           | F8518502  | Harness                        | Power PDB; N and P voltage; Electric heat                                     |
|           | F8518402  | Harness                        | Power PDB; Q voltage; Electric heat   |
|           | F8518404  | Harness                        | Power filter; Q, W, X, and Y voltage  |
|           | F8518504  | Harness                        | Power filter; N and P voltage   |
|           | F8518605  | Harness                        | Power drive; Q, W, X, and Y voltage   |
|           | F8518606  | Harness                        | Power drive; N and P voltage  |
|           | F8528001  | Harness                        | TB filter   |
|           | F8528002  | Harness                        | PDB filter; Electric heat   |
|           | F8528005  | Harness                        | TB2 Filter; N, P, Q, W, X, and Y voltage                                      |
|           | F8619101  | Power Harness                  | Power contactor; Electric heat  |
|           | F8619102  | Harness                        | Power contactor; Electric heat  |
|           | F8662809  | Filter Kit                     | Includes items 1, 14-20, harnesses and labels; Q voltage; Electric heat       |
|           | F8662810  | Filter Kit                     | Includes items 1, 14-20, harnesses and labels; N and P voltage; Electric heat |
|           | F8662803  | Filter Kit                     | Includes items 1, 14-20, harnesses and labels; W, X and Y voltage             |
|           | F8662805  | Filter Kit                     | Includes items 1, 14-20, harnesses and labels; N and P voltage                |
| <b>1</b>  | F140938   | Snap Bushing                   |   |
| <b>2</b>  | 44014901P | Power Distribution Block Cover | Electric heat   |
| <b>3</b>  | 39733     | Screw                          | Electric heat   |
| <b>4</b>  | M413865   | Power Distribution Block       | Electric heat   |
| <b>5</b>  | 70346501  | Bushing                        |   |
| <b>6</b>  | 44286803  | Label                          | Power input; L1, L2, L3; N and P voltage                                      |
|           | 44286804  | Wire Label                     | Power input; L1, L2/N; L1, L2, L3; W, X and Y voltage                         |
| <b>7</b>  | D516100   | Label                          |   |
| <b>8</b>  | M411283   | Ground Lug Connector           |   |
| <b>9</b>  | 685837    | Screw                          |   |
| <b>10</b> | 70058501  | Pop Rivet                      |   |
| <b>11</b> | F8616901  | Drive Shield                   |   |
| <b>12</b> | 00622SG   | Terminal                       |   |
| <b>13</b> | M400003   | Pop Rivet                      |   |
| <b>14</b> | M413862   | Insulator                      |   |
| <b>15</b> | 430642    | Terminal Block                 |   |
| <b>16</b> | 70333001  | Terminal Block Shield          |   |
| <b>17</b> | 51783     | Screw                          |   |
| <b>18</b> | F8206901  | Screw                          |   |
| <b>19</b> | F8591801  | EMI Filter                     |   |
|           | F8637501  | EMI Filter                     |   |
| <b>20</b> | 70030501  | Expansion Clip                 |   |
| <b>21</b> | F8530901  | Contactory Tray                |   |
| <b>22</b> | F8449801  | End Stop                       |   |
| <b>23</b> | 70482601  | Contactory                     | 5.5kW/500V; 24VDC   |
| <b>24</b> | 70482701  | Contactory                     | 50A; 24VDC  |
| <b>25</b> | M412689   | DIN Rail                       | 7.5 mm x 35 mm x 8.364 inch   |
| <b>26</b> | 44088001  | Nut                            |   |
| <b>27</b> | F8530801  | Drive Terminal Tray            |   |

# Inverter Drive Box - 40 Pound Models with B Voltage

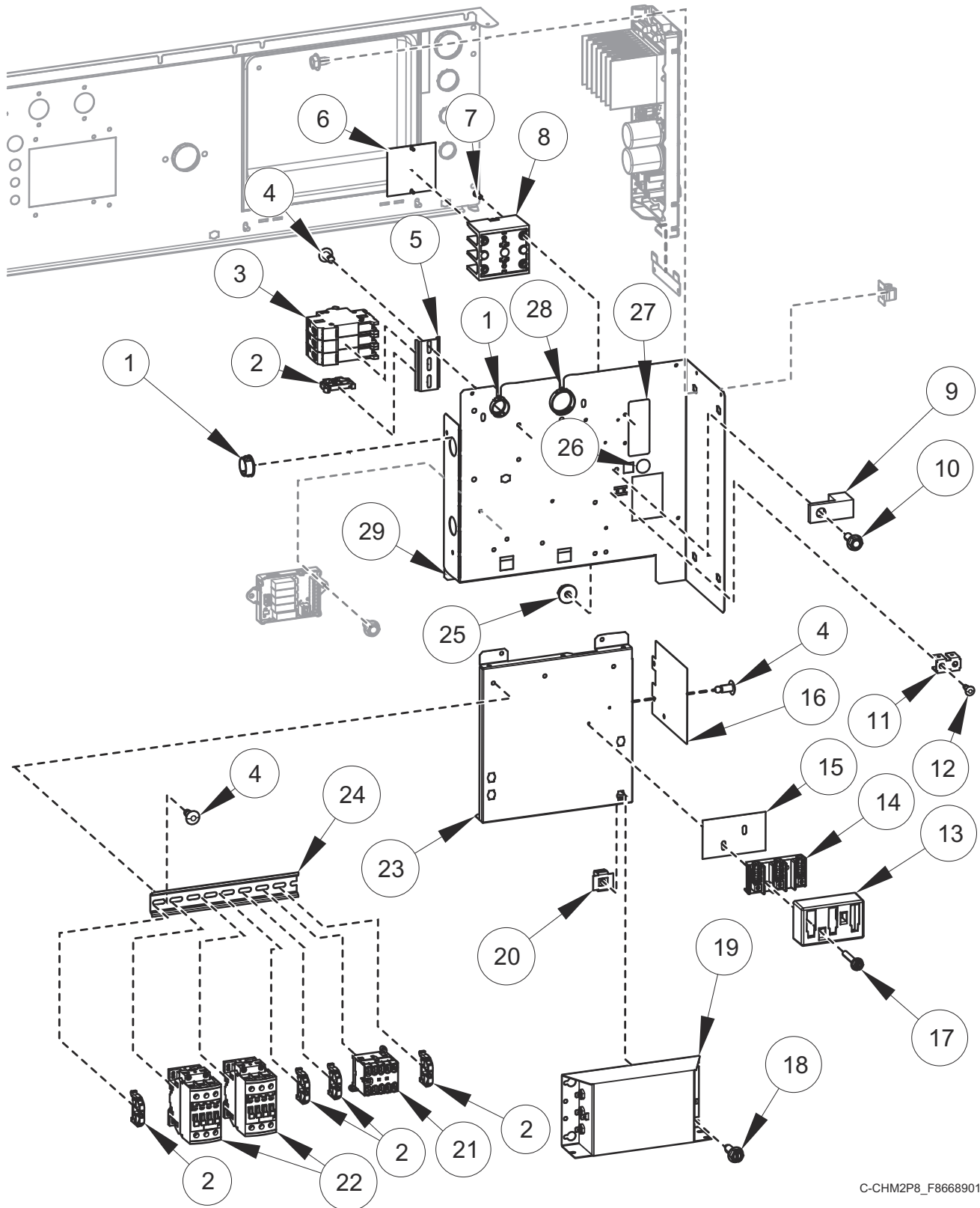


C-CHM2P8\_F8668901

## Inverter Drive Box - 40 Pound Models with B Voltage

| REF       | PART NO.  | DESCRIPTION                    | COMMENTS   |
|-----------|-----------|--------------------------------|--|
|           | F8567001  | Drive Panel Base Assembly      | Includes items 4, 11, 12, 16, 23, 24 and 29                      |
|           | F8567002  | Drive Panel Base Assembly      | Electric heat; Includes items 4, 5, 11, 12, 16, 23, 24 and 29    |
|           | F8583501  | Jumper                         | Circuit breaker jumper; Electric heat                            |
|           | F8518405  | Harness                        | Power TB1  |
|           | F8518604  | Harness                        | Power drive  |
|           | F8528001  | Harness                        | TB filter  |
|           | F8528003  | Harness                        | CB filter; Electric heat   |
|           | F8528004  | Harness                        | TB filter  |
|           | F8528006  | Harness                        | TB2 filter   |
|           | F8619101  | Power Harness                  | Power contactor; Electric heat                                   |
|           | F8619102  | Harness                        | Power contactor; Electric heat                                   |
|           | F8662802  | Filter Kit                     | Includes items 1, 14, 15, 17-20, harnesses and labels; B voltage |
| <b>1</b>  | F140938   | Snap Bushing                   |  |
| <b>2</b>  | F8449801  | End Stop                       |  |
| <b>3</b>  | 70488101  | Circuit Breaker                | 3P; 25A; Electric heat   |
| <b>4</b>  | 70058501  | Pop Rivet                      |  |
| <b>5</b>  | B12315401 | DIN Rail                       | 7.5 mm x 35 mm x 72 mm; Electric heat                            |
| <b>6</b>  | 44014901P | Power Distribution Block Cover | Electric heat  |
| <b>7</b>  | 39733     | Screw                          | Electric heat  |
| <b>8</b>  | M413865   | Power Distribution Block       | Electric heat  |
| <b>9</b>  | M411283   | Ground Lug Connector           |  |
| <b>10</b> | 685837    | Screw                          |  |
| <b>11</b> | 00622SG   | Terminal                       |  |
| <b>12</b> | M400003   | Pop Rivet                      |  |
| <b>13</b> | 70333001  | Terminal Block Shield          |  |
| <b>14</b> | 430642    | Terminal Block                 |  |
| <b>15</b> | M413862   | Insulator                      |  |
| <b>16</b> | F8616901  | Drive Shield                   |  |
| <b>17</b> | 51783     | Screw                          |  |
| <b>18</b> | F8206901  | Screw                          |  |
| <b>19</b> | F8591601  | EMI Filter                     |  |
| <b>20</b> | 70030501  | Expansion Clip                 |  |
| <b>21</b> | 70482601  | Contactors                     | 5.5kW/500V; 24VDC; Electric heat                                 |
| <b>22</b> | 70482701  | Contactors                     | 50A; 24VDC   |
| <b>23</b> | F8530901  | Contactors Tray                |  |
| <b>24</b> | M412689   | DIN Rail                       | 7.5 mm x 35 mm x 8.364 inch                                      |
| <b>25</b> | 44088001  | Nut                            |  |
| <b>26</b> | D516100   | Label                          |  |
| <b>27</b> | 44286801  | Label                          | Power input; L1, N   |
| <b>28</b> | 70346501  | Bushing                        |  |
| <b>29</b> | F8530801  | Drive Terminal Tray            |  |

# Inverter Drive Box - 40 Pound Models with N, P, Q, W, X and Y Voltage

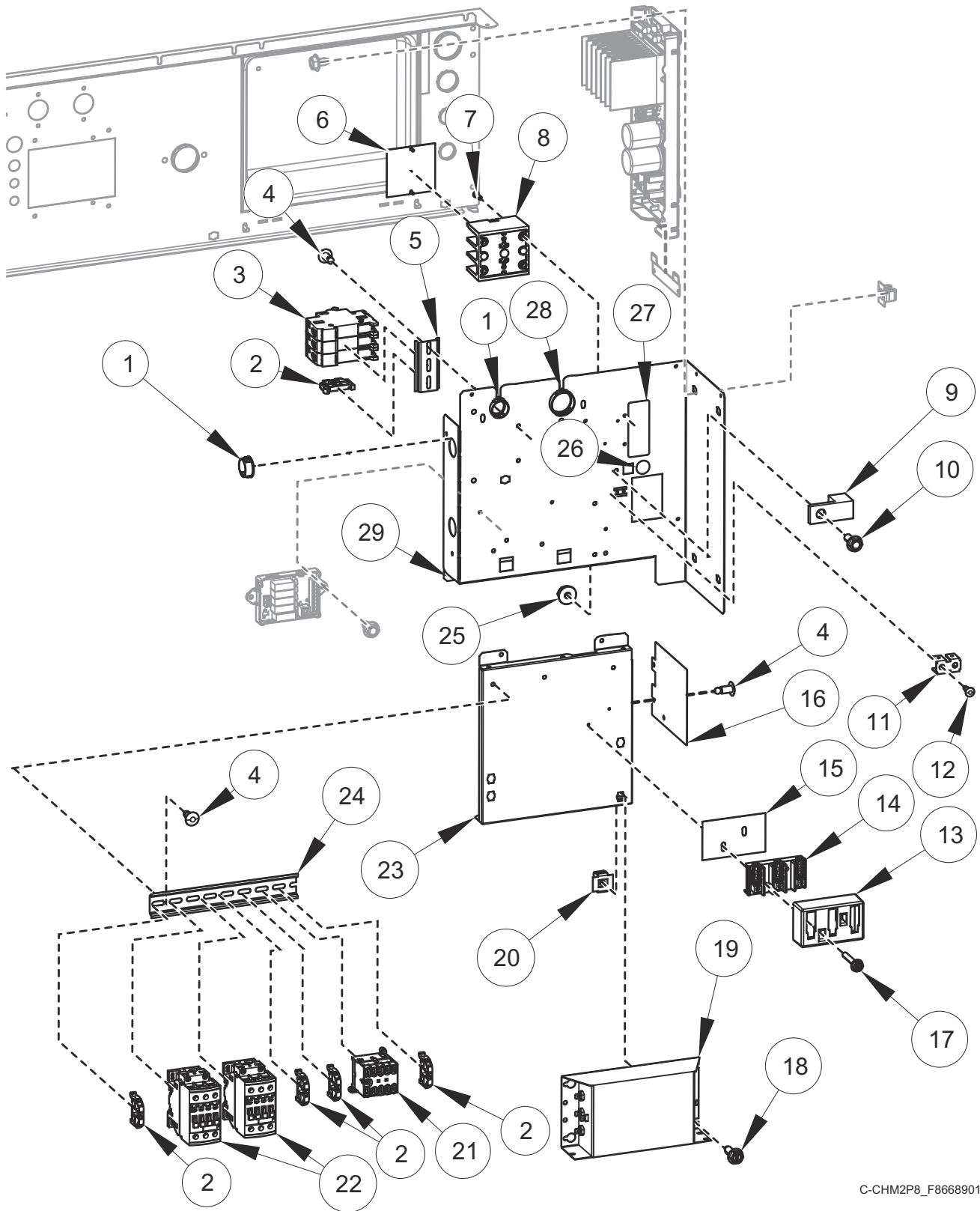


C-CHM2P8\_F8668901

## Inverter Drive Box - 40 Pound Models with N, P, Q, W, X and Y Voltage

| REF       | PART NO.  | DESCRIPTION                    | COMMENTS  |
|-----------|-----------|--------------------------------|---|
|           | F8567001  | Drive Panel Base Assembly      | Includes items 4, 11, 12, 16, 23, 24 and 29   |
|           | F8567002  | Drive Panel Base Assembly      | Electric heat; Includes items 4, 5, 11, 12, 16, 23, 24 and 29                         |
|           | F8583501  | Jumper                         | Circuit breaker jumper; Electric heat   |
|           | F8518401  | Harness                        | Power TB1; W, X and Y voltage   |
|           | F8518501  | Harness                        | Power TB1; N and P voltage  |
|           | F8518504  | Harness                        | Power filter; N and P voltage   |
|           | F8518605  | Harness                        | Power drive; Q, W, X, and Y voltage   |
|           | F8518606  | Harness                        | Power drive; N and P voltage  |
|           | F8528001  | Harness                        | TB filter   |
|           | F8528003  | Harness                        | CB filter; Electric heat  |
|           | F8528005  | Harness                        | TB2 Filter; N, P, Q, W, X, and Y voltage  |
|           | F8518503  | Harness                        | Power CB; N and P voltage; Electric heat  |
|           | F8518403  | Harness                        | Power CB; Q voltage; Electric heat  |
|           | F8619101  | Power Harness                  | Power contactor; Electric heat  |
|           | F8619102  | Harness                        | Power contactor; Electric heat  |
|           | F8662811  | Filter Kit                     | Includes items 1, 14, 15, 17-20, harnesses and labels; Q voltage; Electric heat       |
|           | F8662812  | Filter Kit                     | Includes items 1, 14, 15, 17-20, harnesses and labels; N and P voltage; Electric heat |
|           | F8662804  | Filter Kit                     | Includes items 1, 14, 15, 17-20, harnesses and labels; W, X and Y voltage             |
|           | F8662806  | Filter Kit                     | Includes items 1, 14, 15, 17-20, harnesses and labels; N and P voltage                |
| <b>1</b>  | F140938   | Snap Bushing                   |   |
| <b>2</b>  | F8449801  | End Stop                       |   |
| <b>3</b>  | 70488101  | Circuit Breaker                | 3P; 25A; Electric heat  |
| <b>4</b>  | 70058501  | Pop Rivet                      |   |
| <b>5</b>  | B12315401 | DIN Rail                       | 7.5 mm x 35 mm x 72 mm; Electric heat   |
| <b>6</b>  | 44014901P | Power Distribution Block Cover | Electric heat   |
| <b>7</b>  | 39733     | Screw                          | Electric heat   |
| <b>8</b>  | M413865   | Power Distribution Block       | Electric heat   |
| <b>9</b>  | M411283   | Ground Lug Connector           |   |
| <b>10</b> | 685837    | Screw                          |   |
| <b>11</b> | 00622SG   | Terminal                       |   |
| <b>12</b> | M400003   | Pop Rivet                      |   |
| <b>13</b> | 70333001  | Terminal Block Shield          |   |
| <b>14</b> | 430642    | Terminal Block                 |   |
| <b>15</b> | M413862   | Insulator                      |   |
| <b>16</b> | F8616901  | Drive Shield                   |   |
| <b>17</b> | 51783     | Screw                          |   |
| <b>18</b> | F8206901  | Screw                          |   |
| <b>19</b> | F8591801  | EMI Filter                     | Q, W, X and Y voltage   |
|           | F8637501  | EMI Filter                     | N and P voltage   |
| <b>20</b> | 70030501  | Expansion Clip                 |   |
| <b>21</b> | 70482601  | Contactar                      | 5.5kW/500V; 24VDC; Electric heat  |
| <b>22</b> | 70482701  | Contactar                      | 50A; 24VDC  |
| <b>23</b> | F8530901  | Contactar Tray                 |   |
| <b>24</b> | M412689   | DIN Rail                       | 7.5 mm x 35 mm x 8.364 inch   |
| <b>25</b> | 44088001  | Nut                            |   |
| <b>26</b> | D516100   | Label                          |   |
| <b>27</b> | 44286803  | Label                          | Power input; L1, L2, L3; N and P voltage  |
|           | 44286804  | Wire Label                     | Power input; L1, L2/N; L1, L2, L3; W, X and Y voltage                                 |
| <b>28</b> | 70346501  | Bushing                        |   |
| <b>29</b> | F8530801  | Drive Terminal Tray            |   |

# Inverter Drive Box - 60 Pound Models with Q and X Voltage

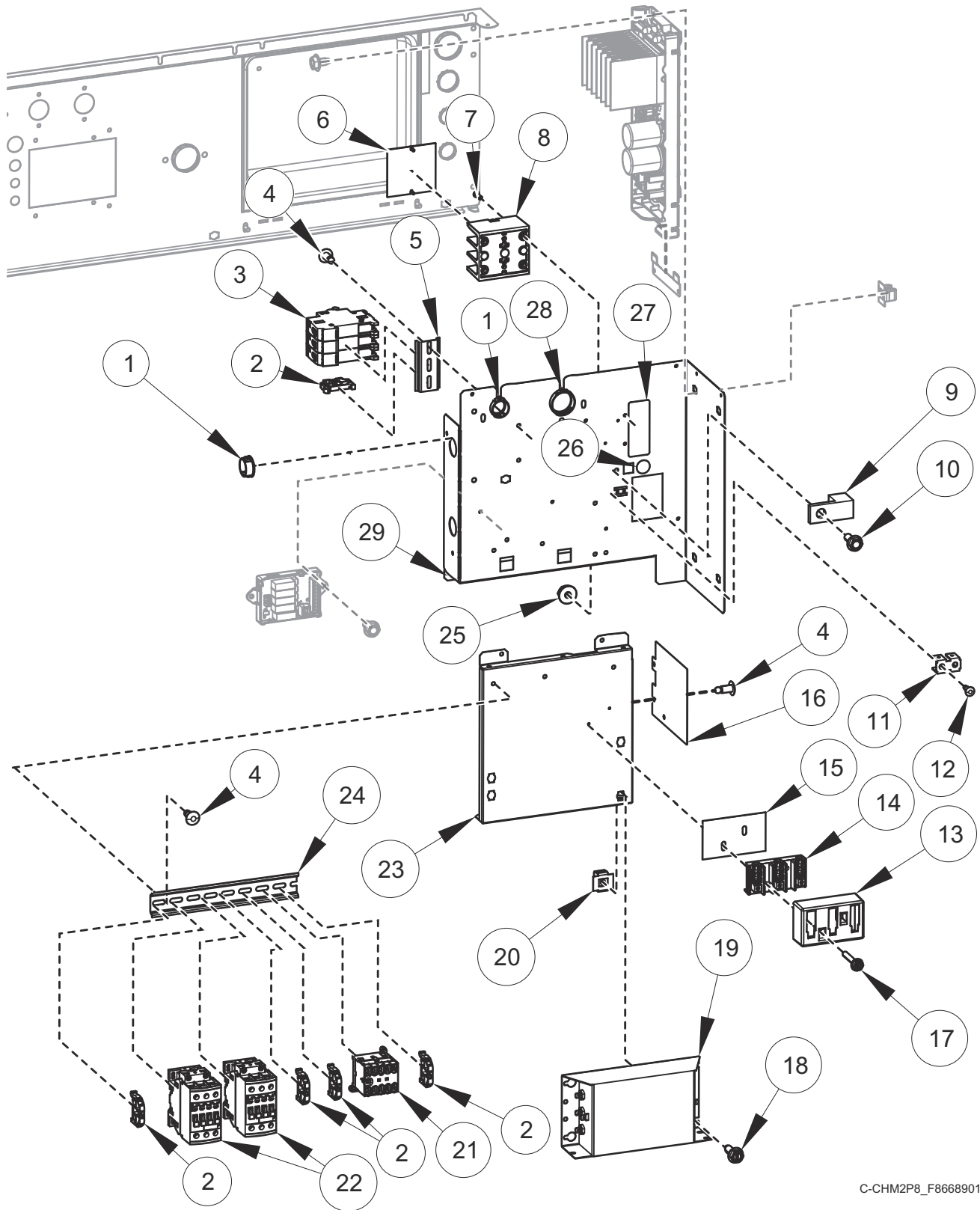


C-CHM2P8\_F8668901

## Inverter Drive Box - 60 Pound Models with Q and X Voltage

| REF       | PART NO.  | DESCRIPTION                    | COMMENTS  |
|-----------|-----------|--------------------------------|---|
|           | F8567003  | Drive Panel Base Assembly      | Includes items 4, 11, 12, 16, 23, 24 and 29                                     |
|           | F8567004  | Drive Panel Base Assembly      | Electric heat; Includes items 4, 5, 11, 12, 16, 23, 24 and 29                   |
|           | F8583501  | Jumper                         | Circuit breaker jumper; Electric heat   |
|           | F8518401  | Harness                        | Power TB1; X voltage  |
|           | F8518404  | Harness                        | Power filter  |
|           | F8518607  | Harness                        | Power drive   |
|           | F8528001  | Harness                        | TB filter   |
|           | F8528003  | Harness                        | CB filter; Electric heat  |
|           | F8528005  | Harness                        | TB2 Filter  |
|           | F8518403  | Harness                        | Power CB; Q voltage; Electric heat  |
|           | F8619101  | Power Harness                  | Power contactor; Electric heat  |
|           | F8619102  | Harness                        | Power contactor; Electric heat  |
|           | F8662811  | Filter Kit                     | Includes items 1, 14, 15, 17-20, harnesses and labels; Q voltage; Electric heat |
|           | F8662804  | Filter Kit                     | Includes items 1, 14, 15, 17-20, harnesses and labels; X voltage                |
| <b>1</b>  | F140938   | Snap Bushing                   |   |
| <b>2</b>  | F8449801  | End Stop                       |   |
| <b>3</b>  | 70488101  | Circuit Breaker                | 3P; 25A; Electric heat  |
| <b>4</b>  | 70058501  | Pop Rivet                      |   |
| <b>5</b>  | B12315401 | DIN Rail                       | 7.5 mm x 35 mm x 72 mm; Electric heat   |
| <b>6</b>  | 44014901P | Power Distribution Block Cover | Electric heat   |
| <b>7</b>  | 39733     | Screw                          | Electric heat   |
| <b>8</b>  | M413865   | Power Distribution Block       | Electric heat   |
| <b>9</b>  | M411283   | Ground Lug Connector           |   |
| <b>10</b> | 685837    | Screw                          |   |
| <b>11</b> | 00622SG   | Terminal                       |   |
| <b>12</b> | M400003   | Pop Rivet                      |   |
| <b>13</b> | 70333001  | Terminal Block Shield          |   |
| <b>14</b> | 430642    | Terminal Block                 |   |
| <b>15</b> | M413862   | Insulator                      |   |
| <b>16</b> | F8616901  | Drive Shield                   |   |
| <b>17</b> | 51783     | Screw                          |   |
| <b>18</b> | F8206901  | Screw                          |   |
| <b>19</b> | F8591801  | EMI Filter                     |   |
| <b>20</b> | 70030501  | Expansion Clip                 |   |
| <b>21</b> | 70482601  | Contactactor                   | 5.5kW/500V; 24VDC   |
| <b>22</b> | 70482701  | Contactactor                   | 50A; 24VDC  |
| <b>23</b> | F8530901  | Contactactor Tray              |   |
| <b>24</b> | M412689   | DIN Rail                       | 7.5 mm x 35 mm x 8.364 inch   |
| <b>25</b> | 44088001  | Nut                            |   |
| <b>26</b> | D516100   | Label                          |   |
| <b>27</b> | 44286804  | Wire Label                     | Power input; L1, L2/N; L1, L2, L3; X voltage                                    |
| <b>28</b> | 70346501  | Bushing                        |   |
| <b>29</b> | F8530803  | Drive Terminal Tray            |   |

# Inverter Drive Box - 60 Pound Models with N and P Voltage



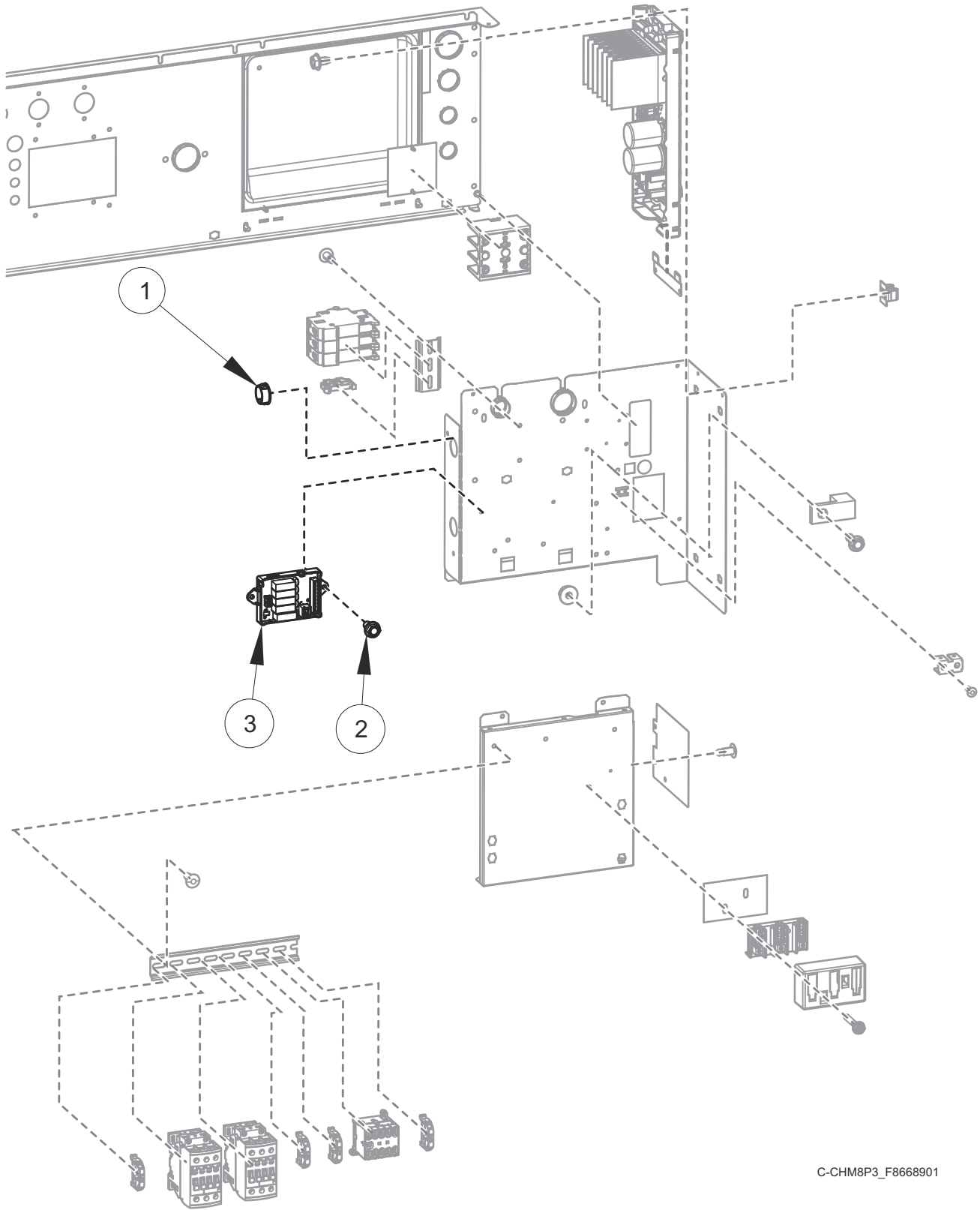
C-CHM2P8\_F8668901



## Inverter Drive Box - 60 Pound Models with N and P Voltage

| REF | PART NO.  | DESCRIPTION                    | COMMENTS   |
|-----|-----------|--------------------------------|--|
|     | F8567003  | Drive Panel Base Assembly      | Includes items 4, 11, 12, 16, 23, 24 and 29                          |
|     | F8567004  | Drive Panel Base Assembly      | Electric heat; Includes items 4, 5, 11, 12, 16, 23, 24 and 29        |
|     | F8583501  | Jumper                         | Circuit breaker jumper; Electric heat                                |
|     | F8518501  | Harness                        | Power TB1; N and P voltage   |
|     | F8518503  | Harness                        | Power CB; Electric heat  |
|     | F8518504  | Harness                        | Power filter   |
|     | F8518606  | Harness                        | Power drive  |
|     | F8528001  | Harness                        | TB filter  |
|     | F8528003  | Harness                        | CB filter; Electric heat   |
|     | F8528005  | Harness                        | TB2 Filter   |
|     | F8619101  | Power Harness                  | Power contactor; Electric heat                                       |
|     | F8619102  | Harness                        | Power contactor; Electric heat                                       |
|     | F8662812  | Filter Kit                     | Includes items 1, 14, 15, 17-20, harnesses and labels; Electric heat |
|     | F8662806  | Filter Kit                     | Includes items 1, 14, 15, 17-20, harnesses and labels                |
| 1   | F140938   | Snap Bushing                   |  |
| 2   | F8449801  | End Stop                       |  |
| 3   | 70488101  | Circuit Breaker                | 3P; 25A; Electric heat   |
| 4   | 70058501  | Pop Rivet                      |  |
| 5   | B12315401 | DIN Rail                       | 7.5 mm x 35 mm x 72 mm; Electric heat                                |
| 6   | 44014901P | Power Distribution Block Cover | Electric heat  |
| 7   | 39733     | Screw                          | Electric heat  |
| 8   | M413865   | Power Distribution Block       | Electric heat  |
| 9   | M411283   | Ground Lug Connector           |  |
| 10  | 685837    | Screw                          |  |
| 11  | 00622SG   | Terminal                       |  |
| 12  | M400003   | Pop Rivet                      |  |
| 13  | 70333001  | Terminal Block Shield          |  |
| 14  | 430642    | Terminal Block                 |  |
| 15  | M413862   | Insulator                      |  |
| 16  | F8616901  | Drive Shield                   |  |
| 17  | 51783     | Screw                          |  |
| 18  | F8206901  | Screw                          |  |
| 19  | F8637501  | EMI Filter                     |  |
| 20  | 70030501  | Expansion Clip                 |  |
| 21  | 70482601  | Contactors                     | 5.5kW/500V; 24VDC  |
| 22  | 70482701  | Contactors                     | 50A; 24VDC   |
| 23  | F8530901  | Contactors Tray                |  |
| 24  | M412689   | DIN Rail                       | 7.5 mm x 35 mm x 8.364 inch  |
| 25  | 44088001  | Nut                            |  |
| 26  | D516100   | Label                          |  |
| 27  | 44286803  | Label                          | Power input; L1, L2, L3  |
| 28  | 70346501  | Bushing                        |  |
| 29  | F8530803  | Drive Terminal Tray            |  |

# External Supply Kit

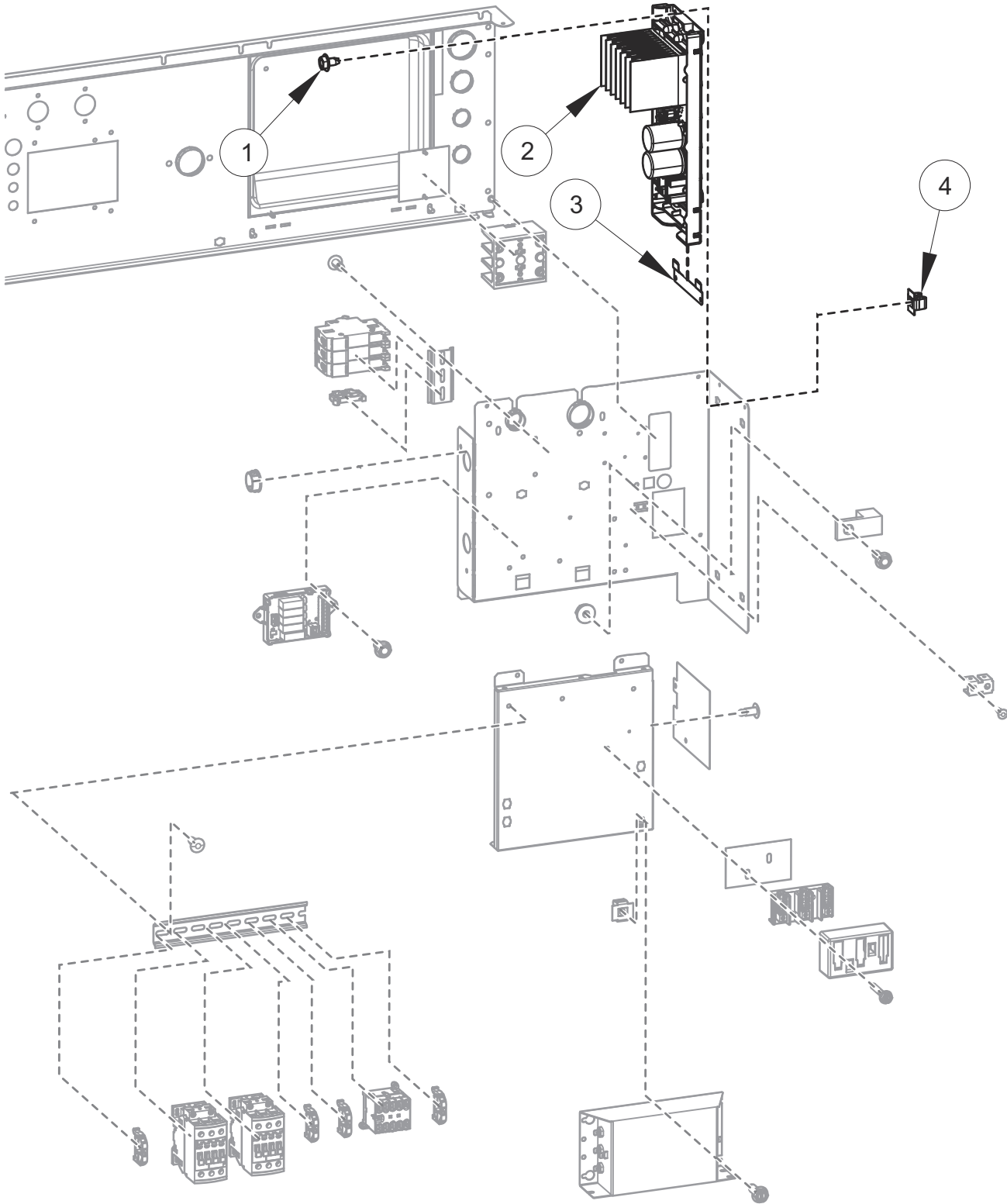


C-CHM8P3\_F8668901

## External Supply Kit

| REF      | PART NO. | DESCRIPTION                | COMMENTS  |
|----------|----------|----------------------------|---|
|          | F8520601 | Harness                    | Communication; 20 and 30 pound models   |
|          | F8520602 | Harness                    | Communication; 40 and 60 pound models   |
|          | F8528203 | Harness                    | Power; B voltage  |
|          | F8528204 | Harness                    | Power; N, P, Q, W, X and Y voltage  |
|          | F8662505 | External Supply Kit        | 20 and 30 pound models with B voltage; Includes items 1-3, F8520601 Harness, F8528203 Harness, 202758 Transformer and labels; 4 out             |
|          | F8662506 | External Supply Kit        | 40 pound models with B voltage; Includes items 1-3, F8520602 Harness, F8528203 Harness, 202758 Transformer and labels; 4 out                    |
|          | F8662507 | External Supply Kit        | 20 and 30 pound models with N, P, Q and X voltage; Includes items 1-3, F8520601 Harness, F8528204 Harness, 202758 Transformer and labels; 4 out |
|          | F8662508 | External Supply Kit        | 40 and 60 pound models with N, P, Q and X voltage; Includes items 1-3, F8520602 Harness, F8528204 Harness, 202758 Transformer and labels; 4 out |
| <b>1</b> | F140938  | Snap Bushing               |   |
| <b>2</b> | 430497   | Screw                      |   |
| <b>3</b> | 804528   | Chemical Injection Control | 5 output  |
|          | 70493102 | Connector                  | 9 pin; H2   |

# Inverter Drive

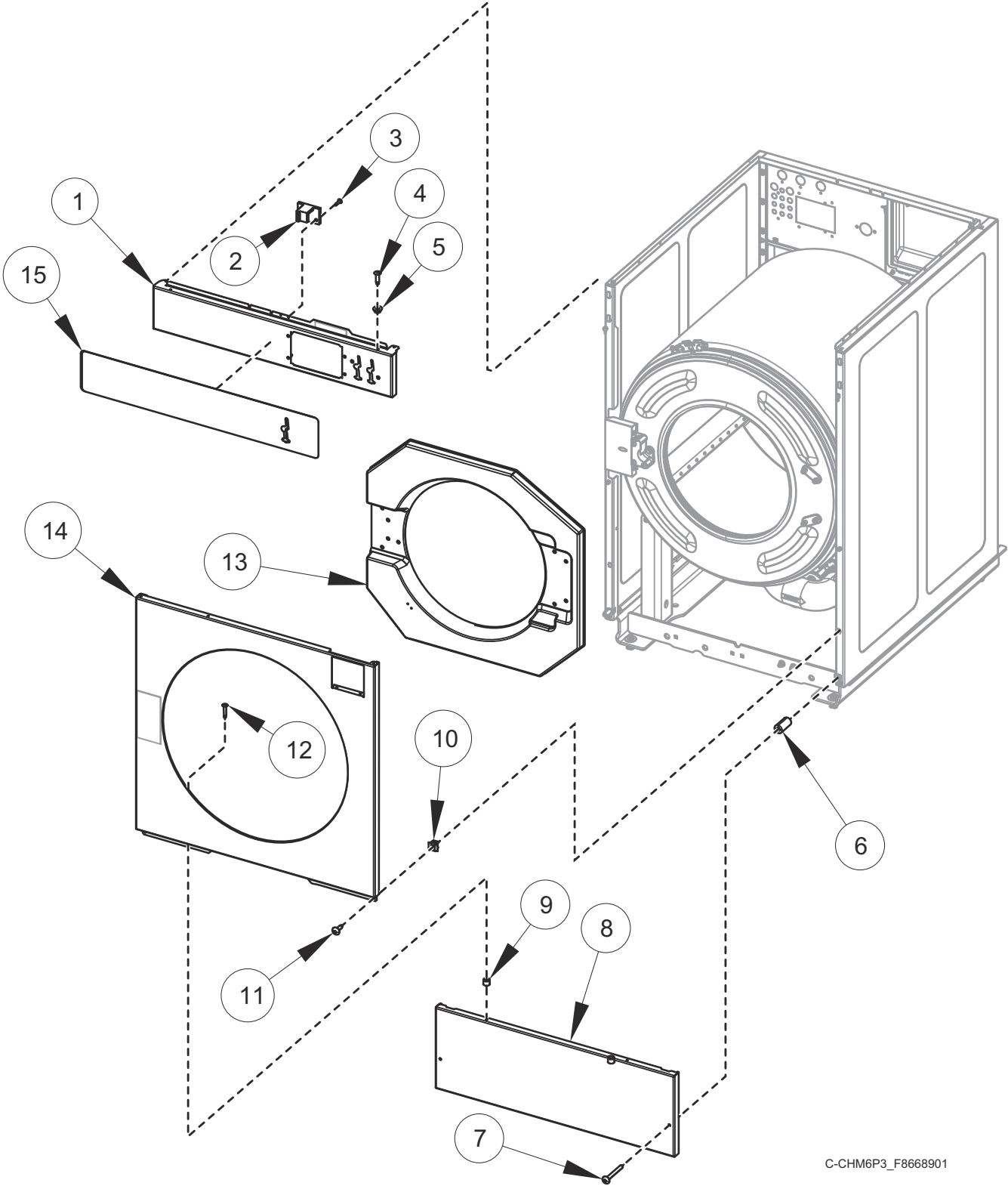


C-CHM2P22\_F8668901

## Inverter Drive

| REF      | PART NO.  | DESCRIPTION                 | COMMENTS   |
|----------|-----------|-----------------------------|--|
|          | F8519202  | Drive Communication Harness | 20 and 30 pound models; 40 and 60 pound models with N and P voltage; Electric heat |
|          | F8519203  | Drive Communication Harness | 40 and 60 pound models with Q voltage; Electric heat                               |
|          | F8519201  | Drive Communication Harness | Standard   |
|          | F8519204  | Drive Communication Harness | Steam heat   |
|          | F8518605  | Harness                     | Power drive; 20, 30 and 40 pound models with Q, W, X and Y voltage; EMI filter     |
|          | F8518607  | Harness                     | 60 pound models with Q and X voltage; EMI filter                                   |
|          | F8518606  | Harness                     | Power drive; N and P voltage; EMI filter   |
|          | F8518602  | Drive Power Harness         | Q, W, X and Y voltage  |
|          | F8518603  | Drive Power Harness         | N and P voltage  |
|          | F8518601  | Drive Power Harness         | B voltage  |
| <b>1</b> | D503688   | Screw                       |  |
| <b>2</b> | F8496001  | Drive Assembly              | 20, 30 and 40 pound models; N and P-voltage; 2 hp; 480 Volt                        |
|          | F8495401P | Drive Assembly              | 20, 30 and 40 pound models; B, Q, W X and Y-voltage; 2 hp; 120/240 Volt            |
|          | F8496301P | Drive Assembly              | 60 pound models; Q and X-voltage; 3 hp; 240 Volt                                   |
|          | F8496901  | Drive Assembly              | 60 pound models; N and P-voltage; 5 hp; 480 Volt                                   |
| <b>3</b> | F8322401  | Drive Mounting Bracket      | 2 included with N and P voltage  |
| <b>4</b> | 70030501  | Expansion Clip              |  |

# Front Panels and Control Panel

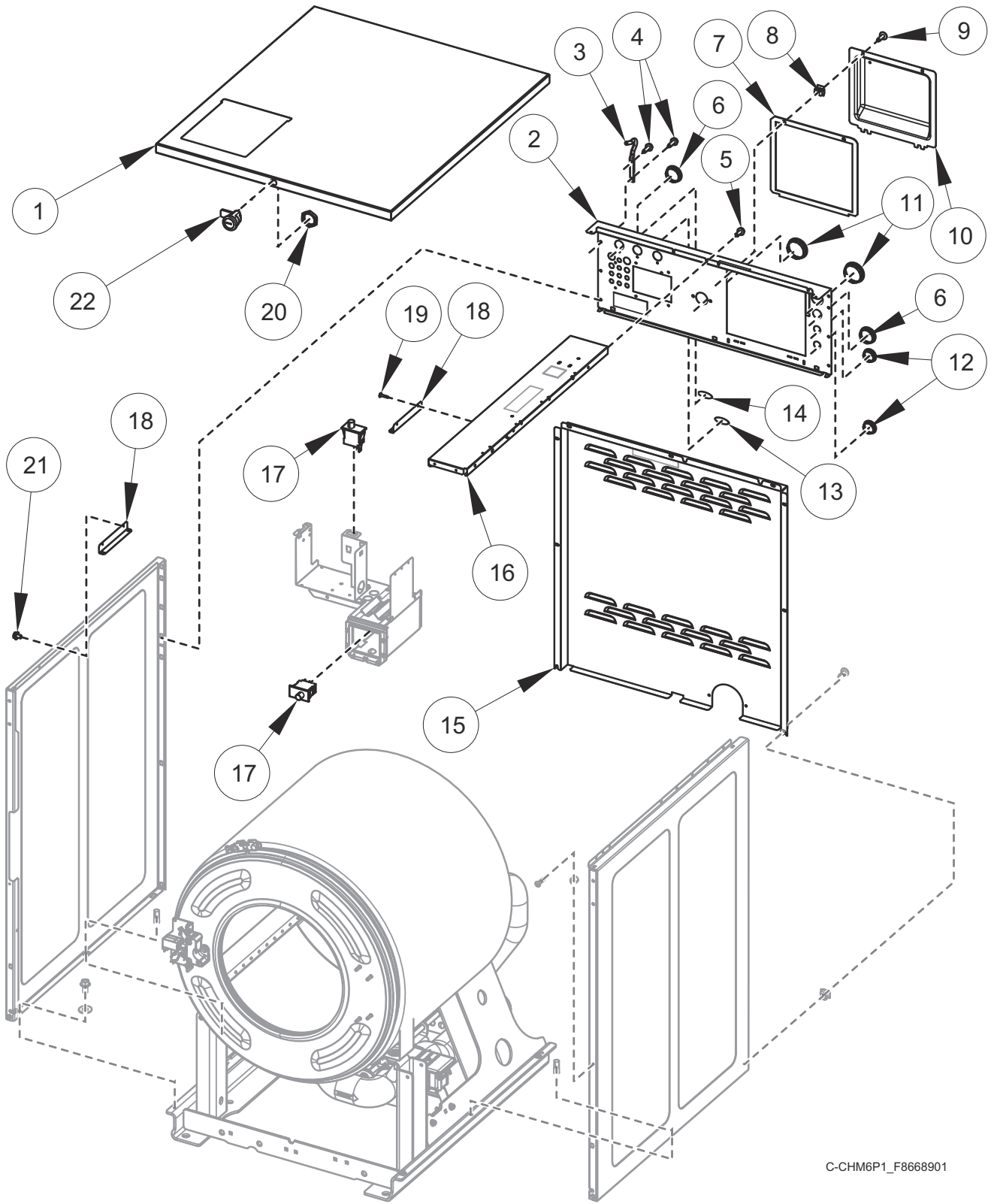


C-CHM6P3\_F8668901

## Front Panels and Control Panel

| REF | PART NO.    | DESCRIPTION                   | COMMENTS               |
|-----|-------------|-------------------------------|------------------------|
| 1   | F8523701    | Control Panel Assembly        | 20 pound models        |
|     | F8523801    | Control Panel Assembly        | 30 pound models        |
|     | F8523901    | Control Panel Assembly        | 40 pound models        |
|     | F8553701    | Control Panel Assembly        | 60 pound models        |
| 2   | F8201001    | Top Cover Latch               |                        |
| 3   | F431215     | Pop Rivet                     |                        |
| 4   | 70412601    | Pop Rivet                     |                        |
| 5   | F8201101    | Washer                        |                        |
| 6   | F8609701    | Access Panel Retaining Spacer |                        |
| 7   | F8589501    | Screw                         |                        |
| 8   | F8524001    | Access Panel                  | 20 pound models        |
|     | F8524101    | Access Panel                  | 30 pound models        |
|     | F8524201    | Access Panel                  | 40 pound models        |
|     | F8553901    | Access Panel                  | 60 pound models        |
| 9   | 56079       | Panel Locator                 |                        |
| 10  | 70030501    | Expansion Clip                |                        |
| 11  | F8117601    | Screw                         |                        |
| 12  | M412763     | Rivet                         |                        |
| 13  | F170416-3   | Door Bezel                    | 20 pound models        |
|     | F170417-3   | Door Bezel                    | 30 pound models        |
|     | F0170426-30 | Door Bezel                    | 40 and 60 pound models |
| 14  | F8524301    | Front Panel                   | 20 pound models        |
|     | F8524401    | Front Panel                   | 30 pound models        |
|     | F8524501    | Front Panel                   | 40 pound models        |
|     | F8554001    | Front Panel                   | 60 pound models        |
| 15  | F8641605    | Overlay                       | Single coin            |
|     | F8641602    | Overlay                       | Dual coin              |
|     | F8641601    | Overlay                       | Electronic coin meter  |

# Rear and Top Panels



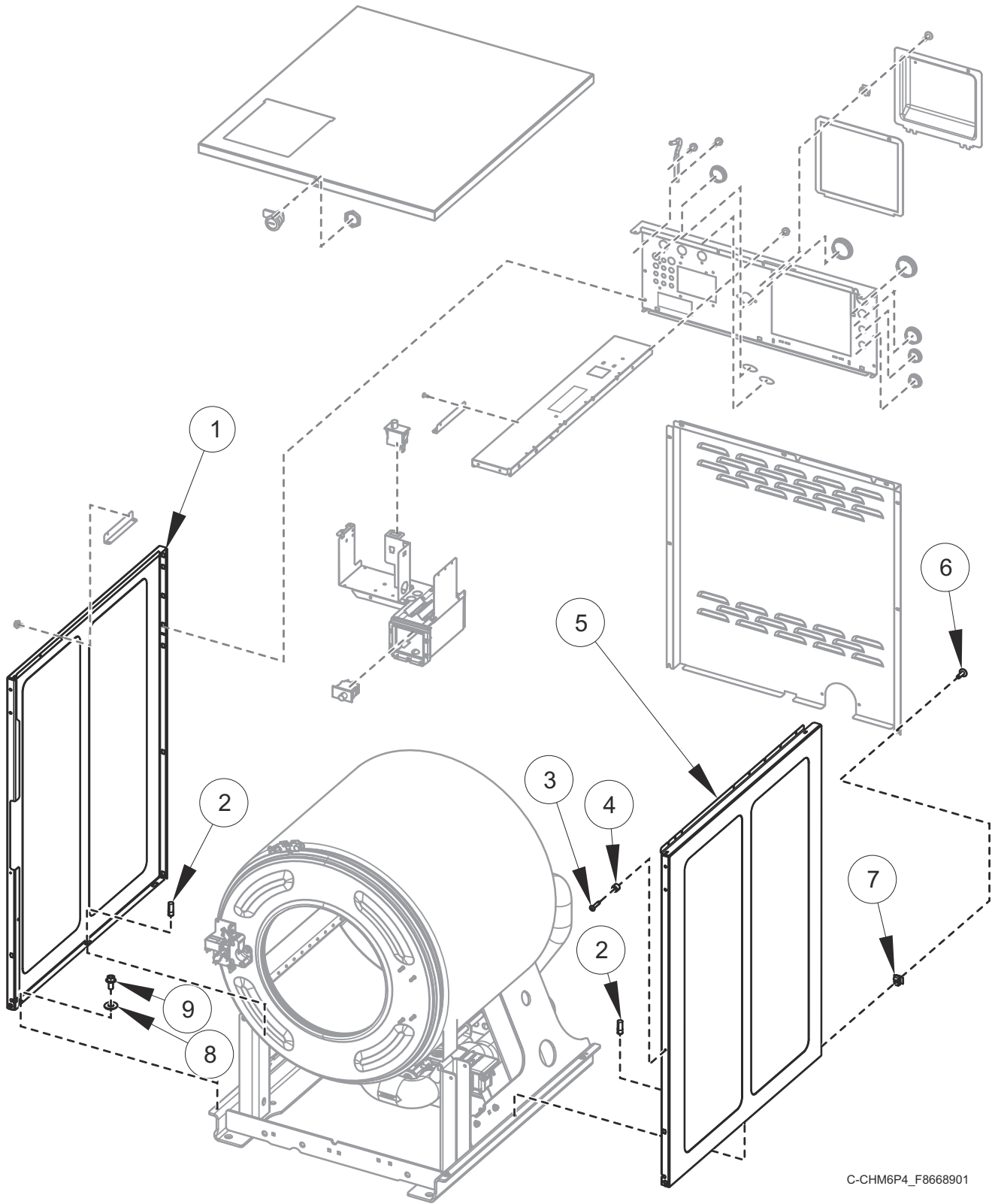
C-CHM6P1\_F8668901



## Rear and Top Panels

| REF | PART NO.  | DESCRIPTION         | COMMENTS        |
|-----|-----------|---------------------|-----------------|
| 1   | F8525401  | Top Cover           | 20 pound models |
|     | F8525501  | Top Cover           | 30 pound models |
|     | F8525601  | Top Cover           | 40 pound models |
|     | F8554301  | Top Cover           | 60 pound models |
| 2   | F8513101  | Valve Panel         | 20 pound models |
|     | F8513201  | Valve Panel         | 30 pound models |
|     | F8513301  | Valve Panel         | 40 pound models |
|     | F8554401  | Valve Panel         | 60 pound models |
| 3   | F8258601  | Top Cover Hinge     |                 |
| 4   | F8206901  | Screw               |                 |
| 5   | 33562     | Screw               |                 |
| 6   | F8223901  | Plug                |                 |
| 7   | F8542601  | Gasket              |                 |
| 8   | 70030501  | Expansion Clip      |                 |
| 9   | F8117601  | Screw               |                 |
| 10  | F8518301  | Terminal Tray Cover |                 |
|     | F8521301  | Cable               |                 |
| 11  | F8223801  | Hole Plug           |                 |
| 12  | M400985   | Plug                |                 |
| 13  | F8611301  | Label               | Hot water       |
| 14  | F8611401  | Label               | Cold water      |
| 15  | F8527001  | Rear Panel          | 20 pound models |
|     | F8527101  | Rear Panel          | 30 pound models |
|     | F8527201  | Rear Panel          | 40 pound models |
|     | F8554501  | Rear Panel          | 60 pound models |
| 16  | F8527301  | Cabinet Brace       | 20 pound models |
|     | F8527401  | Cabinet Brace       | 30 pound models |
|     | F8527501  | Cabinet Brace       | 40 pound models |
|     | F8553201  | Cabinet Brace       | 60 pound models |
| 17  | 70413301  | Pushbutton Switch   |                 |
| 18  | F8525701  | Dispenser Bracket   |                 |
| 19  | F431215   | Pop Rivet           |                 |
| 20  | 44088801  | Nut                 |                 |
| 21  | 51780     | Screw               |                 |
| 22  | 44089303P | Panel Lock          |                 |
|     | 70155603  | Key                 |                 |

# Side Panels

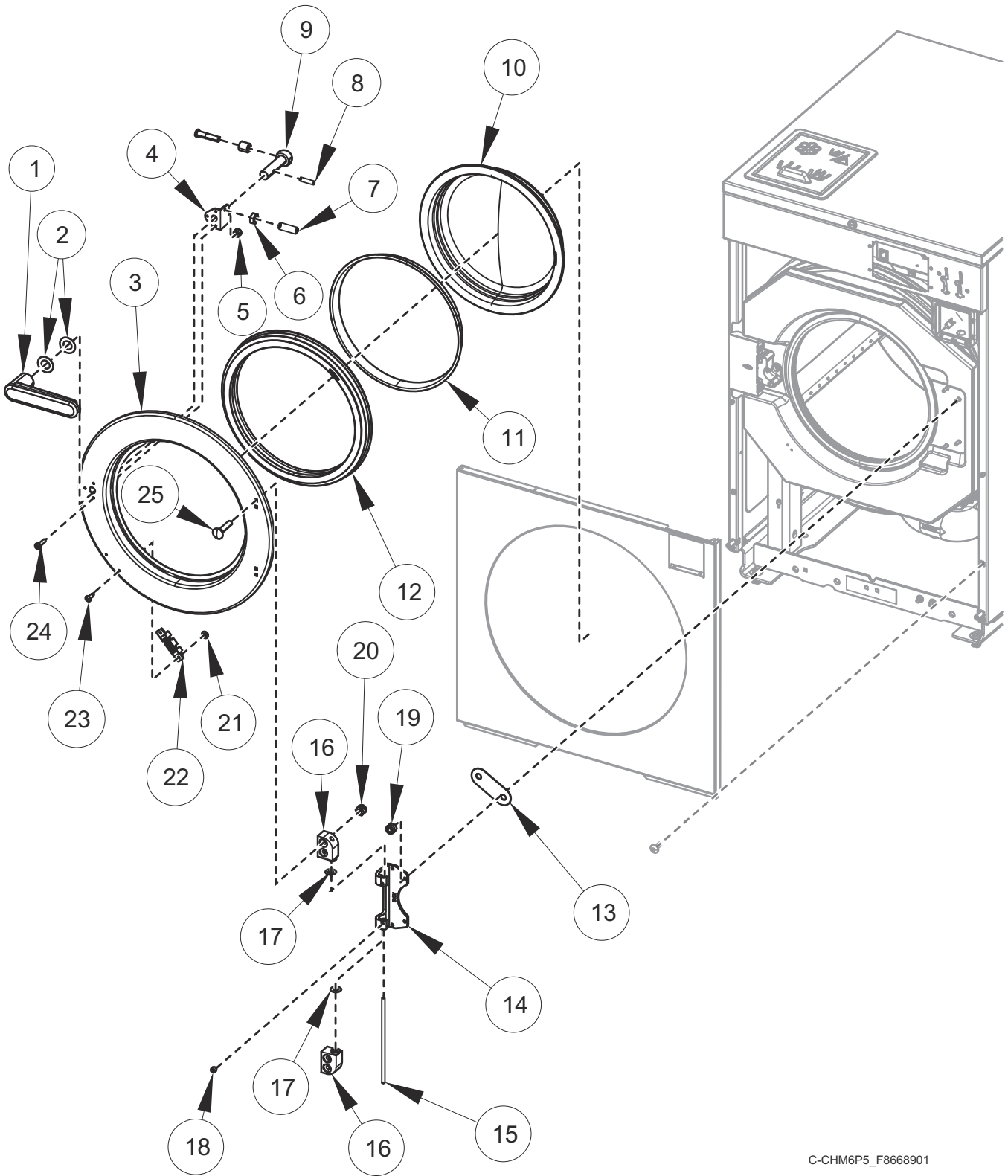


C-CHM6P4\_F8668901

## Side Panels

| REF | PART NO. | DESCRIPTION    | COMMENTS                                |
|-----|----------|----------------|---|
| 1   | F8524602 | Side Panel     | 20 pound models; Left                   |
|     | F8524604 | Side Panel     | 20 pound models; Left; Stainless steel  |
|     | F8524702 | Side Panel     | 30 pound models; Left                   |
|     | F8524704 | Side Panel     | 30 pound models; Left; Stainless steel  |
|     | F8524802 | Side Panel     | 40 pound models; Left                   |
|     | F8524804 | Side Panel     | 40 pound models; Left; Stainless steel  |
|     | F8554204 | Side Panel     | 60 pound models; Left                   |
|     | F8554202 | Side Panel     | 60 pound models; Left; Stainless steel  |
| 2   | F8502101 | Pin            |   |
| 3   | M412763  | Rivet          |   |
| 4   | 56079    | Panel Locator  |   |
| 5   | F8524601 | Side Panel     | 20 pound models; Right                  |
|     | F8524603 | Side Panel     | 20 pound models; Right; Stainless steel |
|     | F8524701 | Side Panel     | 30 pound models; Right                  |
|     | F8524703 | Side Panel     | 30 pound models; Right; Stainless steel |
|     | F8524801 | Side Panel     | 40 pound models; Right                  |
|     | F8524803 | Side Panel     | 40 pound models; Right; Stainless steel |
|     | F8554203 | Side Panel     | 60 pound models; Right                  |
|     | F8554201 | Side Panel     | 60 pound models; Right; Stainless steel |
| 6   | F8117601 | Screw          |   |
| 7   | 70030501 | Expansion Clip |   |
| 8   | M405535  | Washer         |   |
| 9   | 05161    | Screw          |   |

# Door - 20 Pound Models

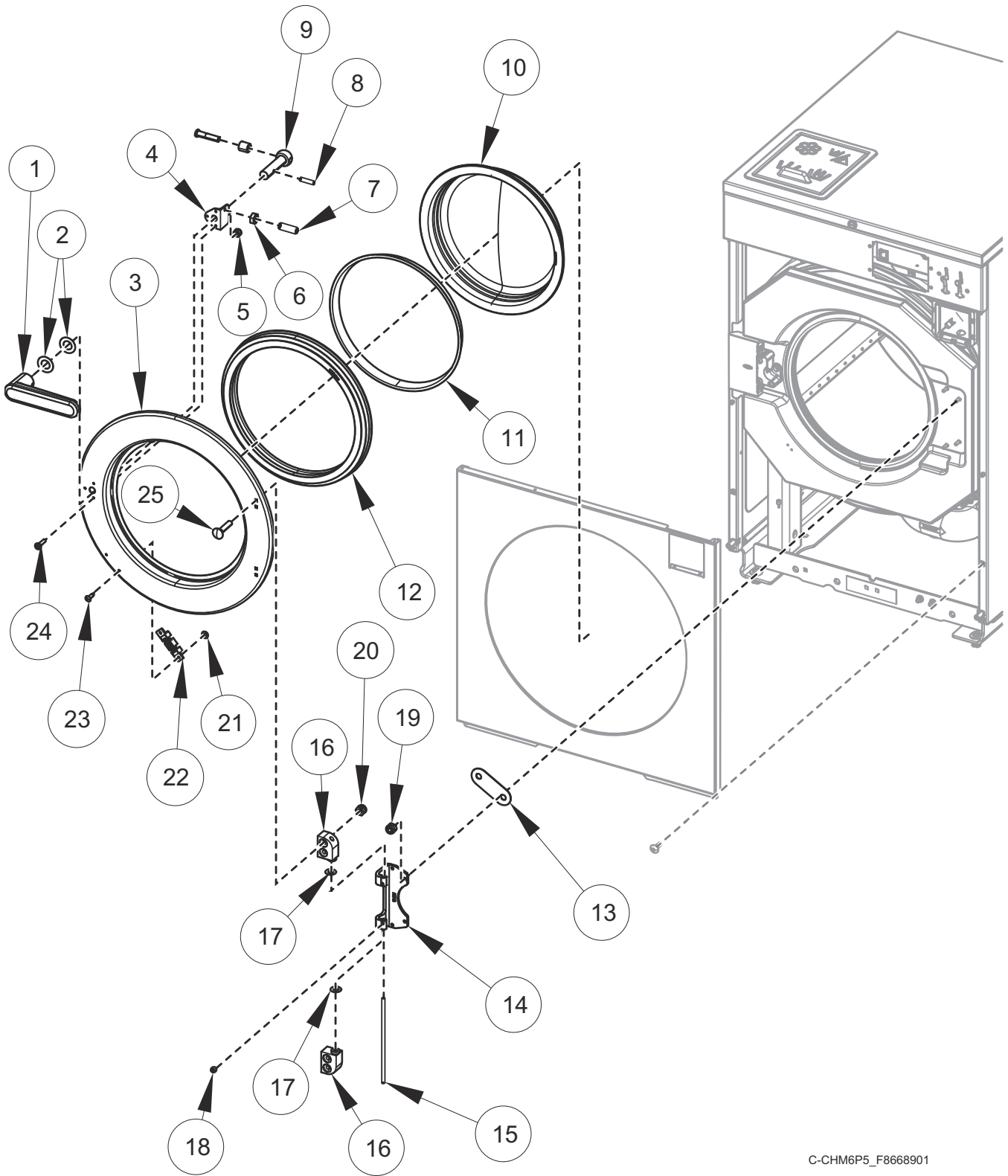


C-CHM6P5\_F8668901

## Door - 20 Pound Models

| REF | PART NO.    | DESCRIPTION             | COMMENTS   |
|-----|-------------|-------------------------|--|
|     | F8617203    | Door Assembly           | Includes items 1-12, 14-18 and 20-25                   |
|     | F8617204    | Door Assembly           | Chrome; Includes items 1-12, 14-18 and 20-25           |
|     | F8617206    | Door Assembly           | Chrome and green; Includes items 1-12, 14-18 and 20-25 |
|     | F8617205    | Door Assembly           | Green; Includes items 1-12, 14-18 and 20-25            |
| 1   | F8544701    | Door Handle             |  |
| 2   | F431916     | Washer                  |  |
| 3   | F8507502    | Door                    |  |
|     | F8507501P   | Door                    | Chrome   |
| 4   | F8567501    | Door Handle Spacer Kit  | Includes items 6 and 7                                 |
| 5   | F430232     | Nut                     |  |
| 6   | F431041     | Nut                     |  |
| 7   | F430532     | Screw                   |  |
| 8   | F431222     | Spring Pin              |  |
| 9   | F8221403    | Door Latch Arm Assembly | Includes latch arm shaft, latch arm support and sleeve |
| 10  | F8341701    | Door Glass              |  |
| 11  | F8583201    | Door Glass Trim         | Black  |
|     | F8583204    | Door Glass Trim         | Green  |
| 12  | F200000202  | Door Gasket             |  |
| 13  | F200131000P | Door Hinge Shim Kit     |  |
| 14  | F190216P    | Door Hinge              |  |
| 15  | F602813-2   | Rod                     |  |
| 16  | F150271     | Door Mount              |  |
| 17  | F431929     | Washer                  | Non-ferrous  |
|     | F431147     | Washer                  |  |
| 18  | F430536     | Screw                   |  |
| 19  | F431024     | Nut                     |  |
| 20  | F430215     | Nut                     |  |
| 21  | F431133     | Washer                  |  |
| 22  | F8390801    | Magnet                  |  |
| 23  | F431223     | Pop Rivet               |  |
| 24  | F8535501    | Screw                   |  |
| 25  | F430974     | Bolt                    |  |
|     | F8508101    | Bolt                    | Chrome   |

# Door - 30 Pound Models

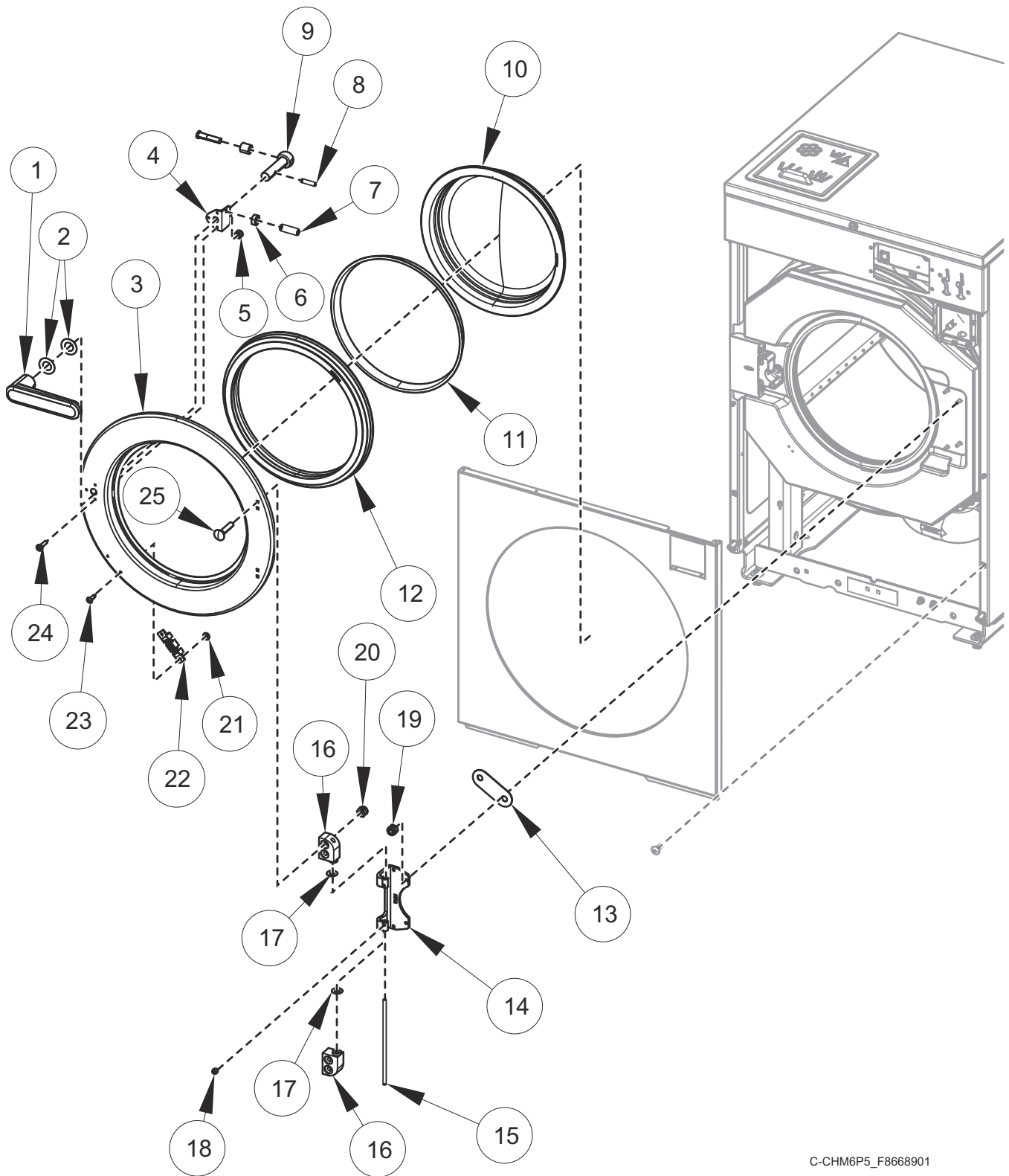


C-CHM6P5\_F8668901

## Door - 30 Pound Models

| REF       | PART NO.    | DESCRIPTION             | COMMENTS   |
|-----------|-------------|-------------------------|--|
|           | F8617303    | Door Assembly           | Includes items 1-12, 14-18 and 20-25                   |
|           | F8617304    | Door Assembly           | Chrome; Includes items 1-12, 14-18 and 20-25           |
|           | F8617306    | Door Assembly           | Chrome and green; Includes items 1-12, 14-18 and 20-25 |
|           | F8617305    | Door Assembly           | Green; Includes items 1-12, 14-18 and 20-25            |
| <b>1</b>  | F8544701    | Door Handle             |  |
| <b>2</b>  | F431916     | Washer                  |  |
| <b>3</b>  | F8507602    | Door                    |  |
|           | F8507601    | Door                    | Chrome   |
| <b>4</b>  | F8567501    | Door Handle Spacer Kit  |  |
| <b>5</b>  | F430232     | Nut                     |  |
| <b>6</b>  | F431041     | Nut                     |  |
| <b>7</b>  | F430533     | Screw                   |  |
| <b>8</b>  | F431222     | Spring Pin              |  |
| <b>9</b>  | F8221403    | Door Latch Arm Assembly | Includes latch arm shaft, latch arm support and sleeve |
| <b>10</b> | F8485302    | Door Glass              |  |
| <b>11</b> | F8583202    | Door Glass Trim         | Black  |
|           | F8583205    | Door Glass Trim         | Green  |
| <b>12</b> | F8111602    | Door Gasket             |  |
| <b>13</b> | F200131000P | Door Hinge Shim Kit     |  |
| <b>14</b> | F190216P    | Door Hinge              |  |
| <b>15</b> | F602813-2   | Rod                     |  |
| <b>16</b> | F150271     | Door Mount              |  |
| <b>17</b> | F431929     | Washer                  | Non-ferrous  |
|           | F431147     | Washer                  |  |
| <b>18</b> | F430536     | Screw                   |  |
| <b>19</b> | F431024     | Nut                     |  |
| <b>20</b> | F430215     | Nut                     |  |
| <b>21</b> | F431133     | Washer                  |  |
| <b>22</b> | F8390801    | Magnet                  |  |
| <b>23</b> | F431223     | Pop Rivet               |  |
| <b>24</b> | F8535501    | Screw                   |  |
| <b>25</b> | F430974     | Bolt                    |  |
|           | F8508101    | Bolt                    | Chrome   |

# Door - 40 and 60 Pound Models



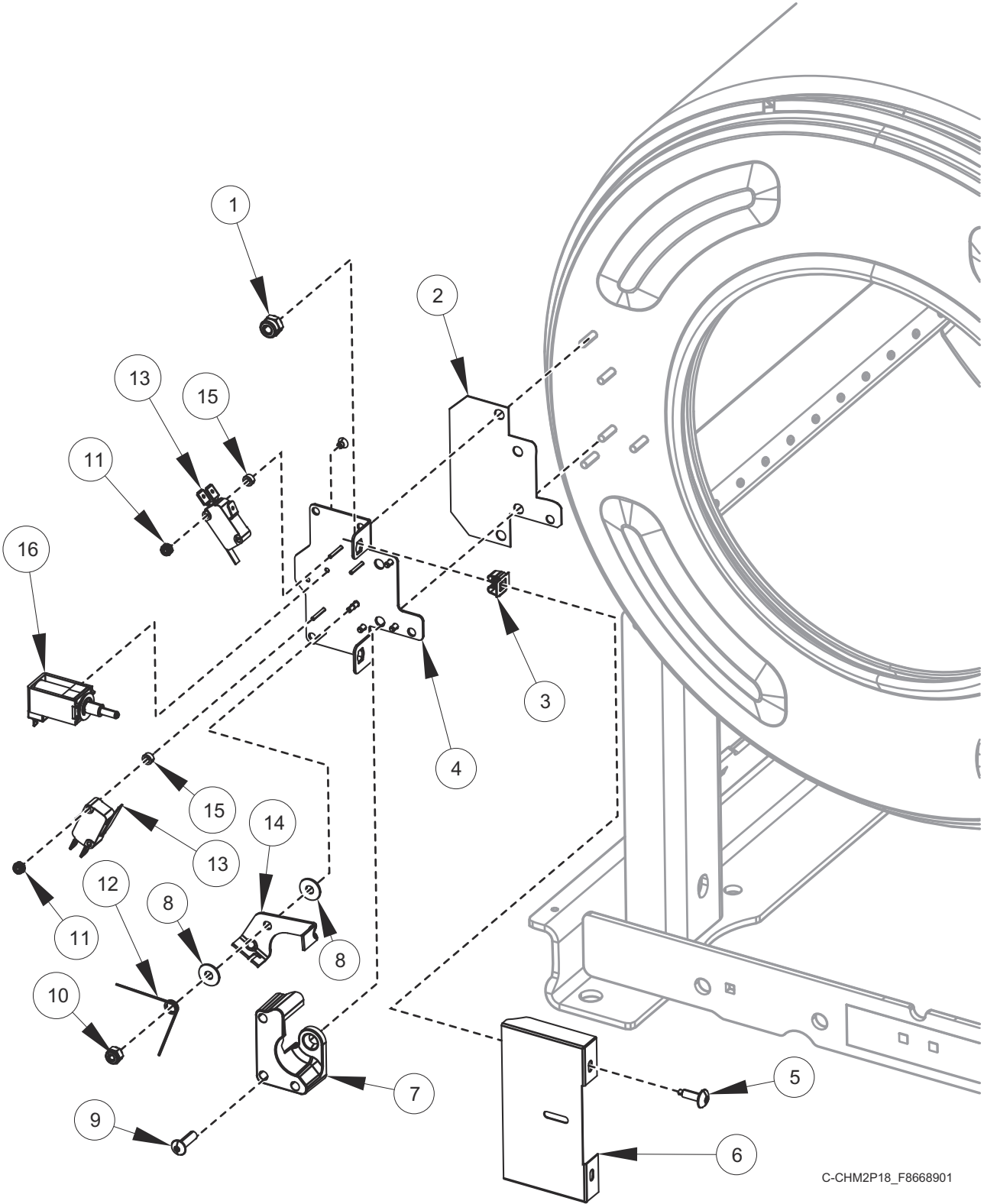
C-CHM6P5\_F8668901



## Door - 40 and 60 Pound Models

| REF | PART NO.    | DESCRIPTION             | COMMENTS   |
|-----|-------------|-------------------------|--|
|     | F8617403    | Door Assembly           | Includes items 1-12, 14-18 and 20-25                   |
|     | F8617404    | Door Assembly           | Chrome; Includes items 1-12, 14-18 and 20-25           |
|     | F8617406    | Door Assembly           | Chrome and green; Includes items 1-12, 14-18 and 20-25 |
|     | F8617405    | Door Assembly           | Green; Includes items 1-12, 14-18 and 20-25            |
| 1   | F8544701    | Door Handle             |  |
| 2   | F431916     | Washer                  |  |
| 3   | F8507702    | Door                    |  |
|     | F8507701    | Door                    | Chrome   |
| 4   | F8567501    | Door Handle Spacer Kit  |  |
| 5   | F430232     | Nut                     |  |
| 6   | F431041     | Nut                     |  |
| 7   | F430533     | Screw                   |  |
| 8   | F431222     | Spring Pin              |  |
| 9   | F8221403    | Door Latch Arm Assembly | Includes latch arm shaft, latch arm support and sleeve |
| 10  | F8485405    | Door Glass              |  |
| 11  | F8583203    | Door Glass Trim         | Black  |
|     | F8583206    | Door Glass Trim         | Green  |
| 12  | F8111602    | Door Gasket             |  |
| 13  | F200131000P | Door Hinge Shim Kit     |  |
| 14  | F190216P    | Door Hinge              |  |
| 15  | F602813-3   | Rod                     |  |
| 16  | F150271     | Door Mount              |  |
| 17  | F431929     | Washer                  | Non-ferrous  |
|     | F431147     | Washer                  |  |
| 18  | F430536     | Screw                   |  |
| 19  | F431024     | Nut                     |  |
| 20  | F430215     | Nut                     |  |
| 21  | F431133     | Washer                  |  |
| 22  | F8390801    | Magnet                  |  |
| 23  | F431223     | Pop Rivet               |  |
| 24  | F8535501    | Screw                   |  |
| 25  | F430974     | Bolt                    |  |
|     | F8508101    | Bolt                    | Chrome   |

# Door Lock

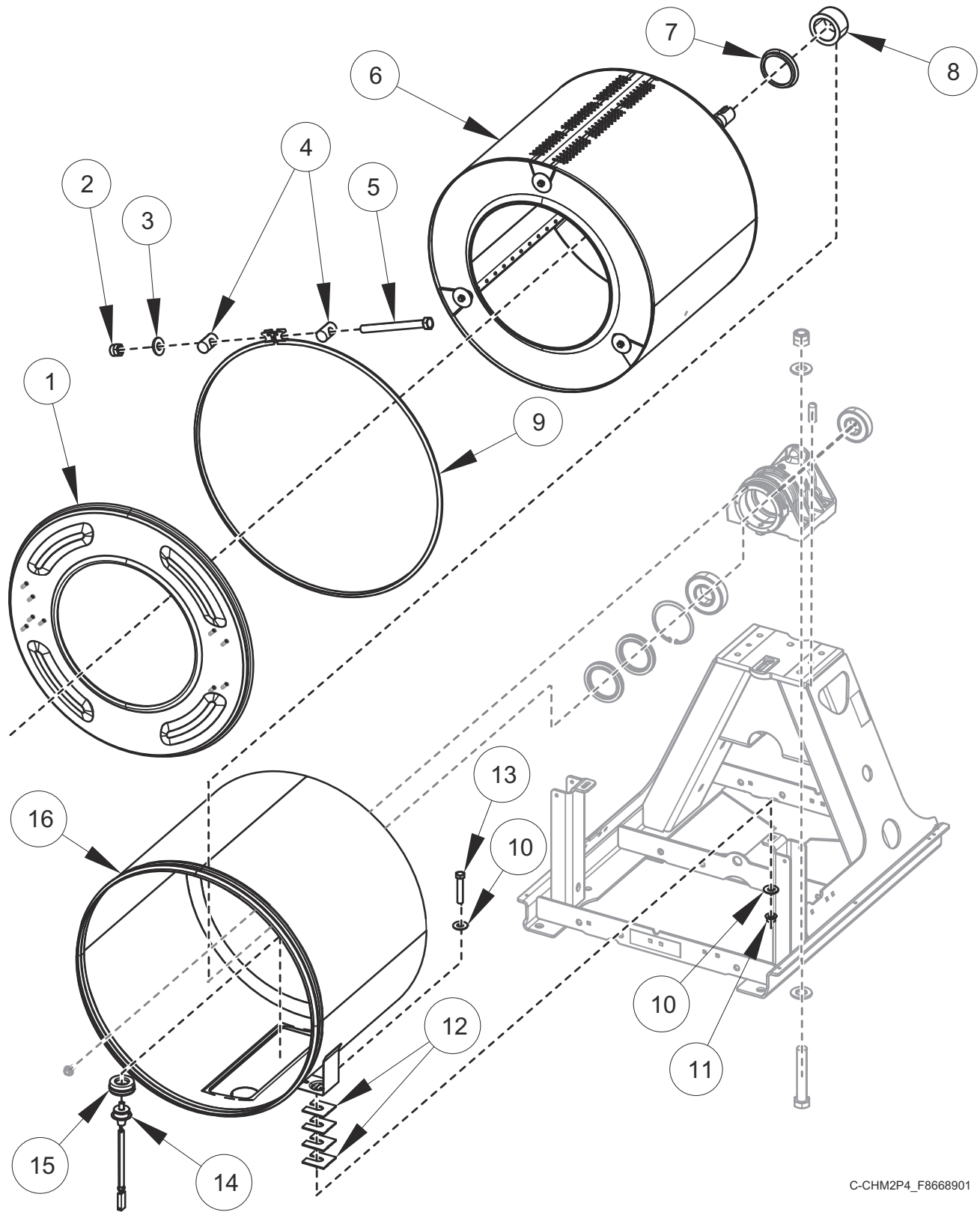


C-CHM2P18\_F8668901

# Door Lock

| REF       | PART NO.   | DESCRIPTION                        | COMMENTS                      |
|-----------|------------|------------------------------------|-------------------------------|
|           | F8632401   | Door Lock Assembly                 | Includes items 3, 4 and 10-16 |
|           | F8520201   | Door Lock Harness                  | 20 and 30 pound models        |
|           | F8520202   | Door Lock Harness                  | 40 and 60 pound models        |
|           | F8066804   | Reed Switch Assembly               |                               |
| <b>1</b>  | F431024    | Nut                                |                               |
| <b>2</b>  | F8344401   | Door Lock Plate Shim               |                               |
| <b>3</b>  | 70030501   | Expansion Clip                     |                               |
| <b>4</b>  | F8223202   | Door Lock Plate Assembly           |                               |
| <b>5</b>  | F8117601   | Screw                              |                               |
| <b>6</b>  | F8245001   | Door Lock Cover                    |                               |
| <b>7</b>  | F8344501   | Door Lock Catch                    |                               |
| <b>8</b>  | F8193101   | Washer                             |                               |
| <b>9</b>  | F8270701   | Bolt                               |                               |
| <b>10</b> | F430232    | Nut                                |                               |
| <b>11</b> | F430225    | Nut                                |                               |
| <b>12</b> | F8070301   | Torsion/Door Lock Spring           |                               |
| <b>13</b> | F200203200 | Door Lock Microswitch              |                               |
| <b>14</b> | F8223401   | Door Lock Switch Lever             |                               |
| <b>15</b> | F431901    | Spacer                             |                               |
| <b>16</b> | F977P3     | Door Lock Solenoid Replacement Kit |                               |

# Shell Front, Basket, Shell and Frame Template

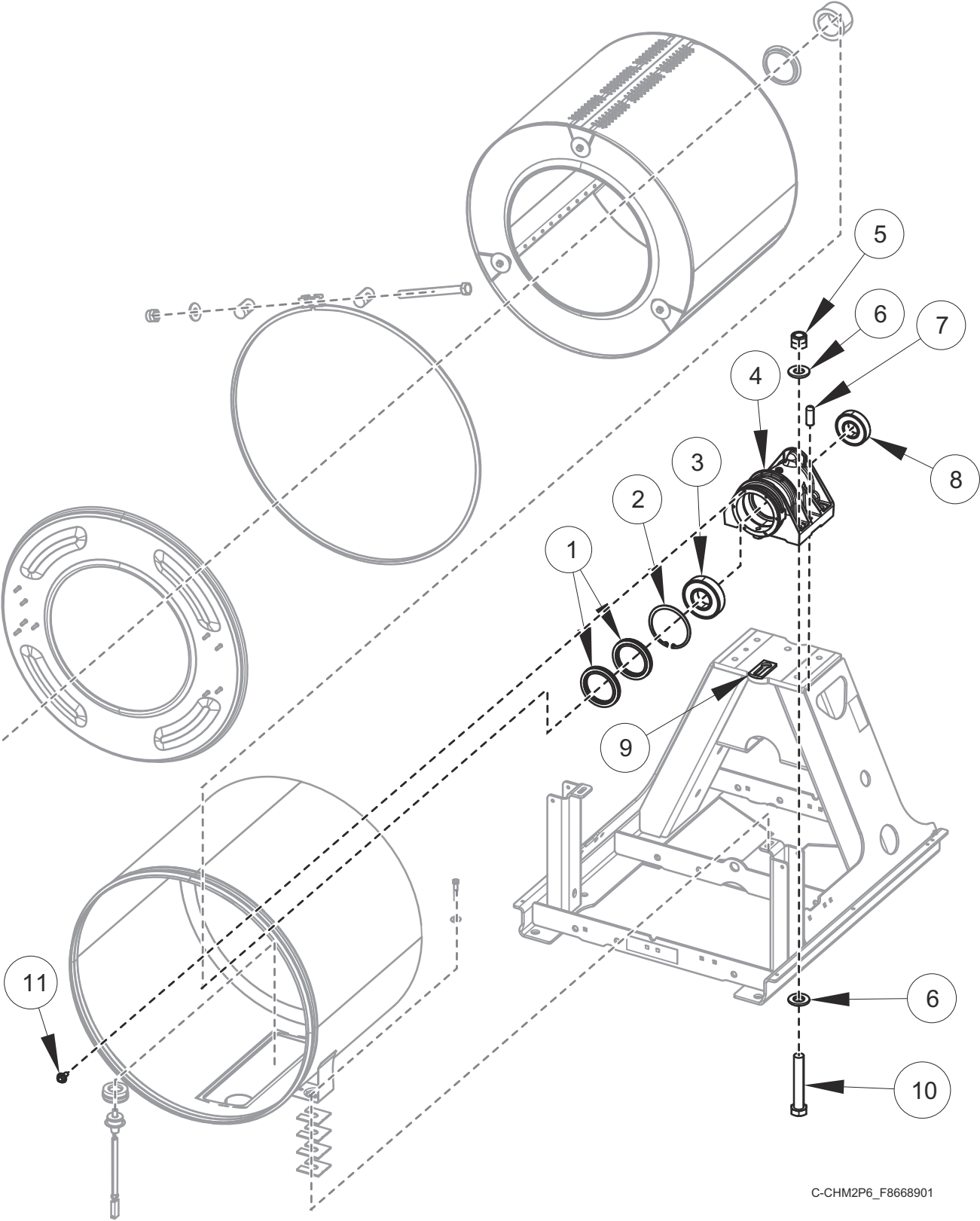


C-CHM2P4\_F8668901

## Shell Front, Basket, Shell and Frame Template

| REF       | PART NO.   | DESCRIPTION               | COMMENTS                                |
|-----------|------------|---------------------------|---|
|           | F8598301   | Harness                   | Thermistor; 20 and 30 pound models      |
|           | F8598302   | Harness                   | Thermistor; 40 and 60 pound models      |
| <b>1</b>  | F8222301   | Shell Front               | 20 pound models                         |
|           | F8222401   | Shell Front               | 30 pound models                         |
|           | F8222501   | Shell Front               | 40 pound models                         |
|           | F8222601   | Shell Front               | 60 pound models                         |
| <b>2</b>  | F430218    | Nut                       |   |
| <b>3</b>  | M400080    | Washer                    |   |
| <b>4</b>  | F8302701   | Pin                       |   |
| <b>5</b>  | F8673701   | Screw                     |   |
| <b>6</b>  | F8391304   | Basket                    | 20 pound models; Viton                  |
|           | F8391302   | Basket                    | 20 pound models; Rain                   |
|           | F8391504   | Basket                    | 30 pound models; Viton                  |
|           | F8391502   | Basket                    | 30 pound models; Rain                   |
|           | F8391704   | Basket                    | 40 pound models; Viton                  |
|           | F8391702   | Basket                    | 40 pound models; Rain                   |
|           | F8502805   | Basket                    | 60 pound models; Viton                  |
|           | F8502802   | Basket                    | 60 pound models; Rain                   |
| <b>7</b>  | F8337002   | Excluder Seal             |   |
| <b>8</b>  | F8343906P  | Shaft Seal Sleeve Kit     |   |
| <b>9</b>  | F8537801   | Shell Band Kit            | 20 pound models; Includes items 2-5     |
|           | F8537802   | Shell Band Kit            | 30 pound models; Includes items 2-5     |
|           | F8537803   | Shell Band Kit            | 40 pound models; Includes items 2-5     |
|           | F8537804   | Shell Band Kit            | 60 pound models; Includes items 2-5     |
| <b>10</b> | M400081    | Washer                    |   |
| <b>11</b> | 44087301   | Nut                       |   |
| <b>12</b> | F8402701   | Washer                    |   |
| <b>13</b> | F8621601   | Screw                     |   |
| <b>14</b> | F8538801   | Thermistor                |   |
| <b>15</b> | 2251000400 | Temperature Probe Grommet |   |
| <b>16</b> | F8512102   | Shell                     | 20 pound models; Electric and dual heat |
|           | F8514002   | Shell                     | 30 pound models; Electric and dual heat |
|           | F8512202   | Shell                     | 40 pound models; Electric and dual heat |
|           | F8543702   | Shell                     | 60 pound models; Electric and dual heat |
|           | F8512202   | Shell                     | 40 pound models; Steam Heat             |
|           | F8543702   | Shell                     | 60 pound models; Steam Heat             |
|           | F8512101   | Shell                     | 20 pound models; Standard               |
|           | F8514001   | Shell                     | 30 pound models; Standard               |
|           | F8512201   | Shell                     | 40 pound models; Standard               |
|           | F8543701   | Shell                     | 60 pound models; Standard               |

# Bearing Housing

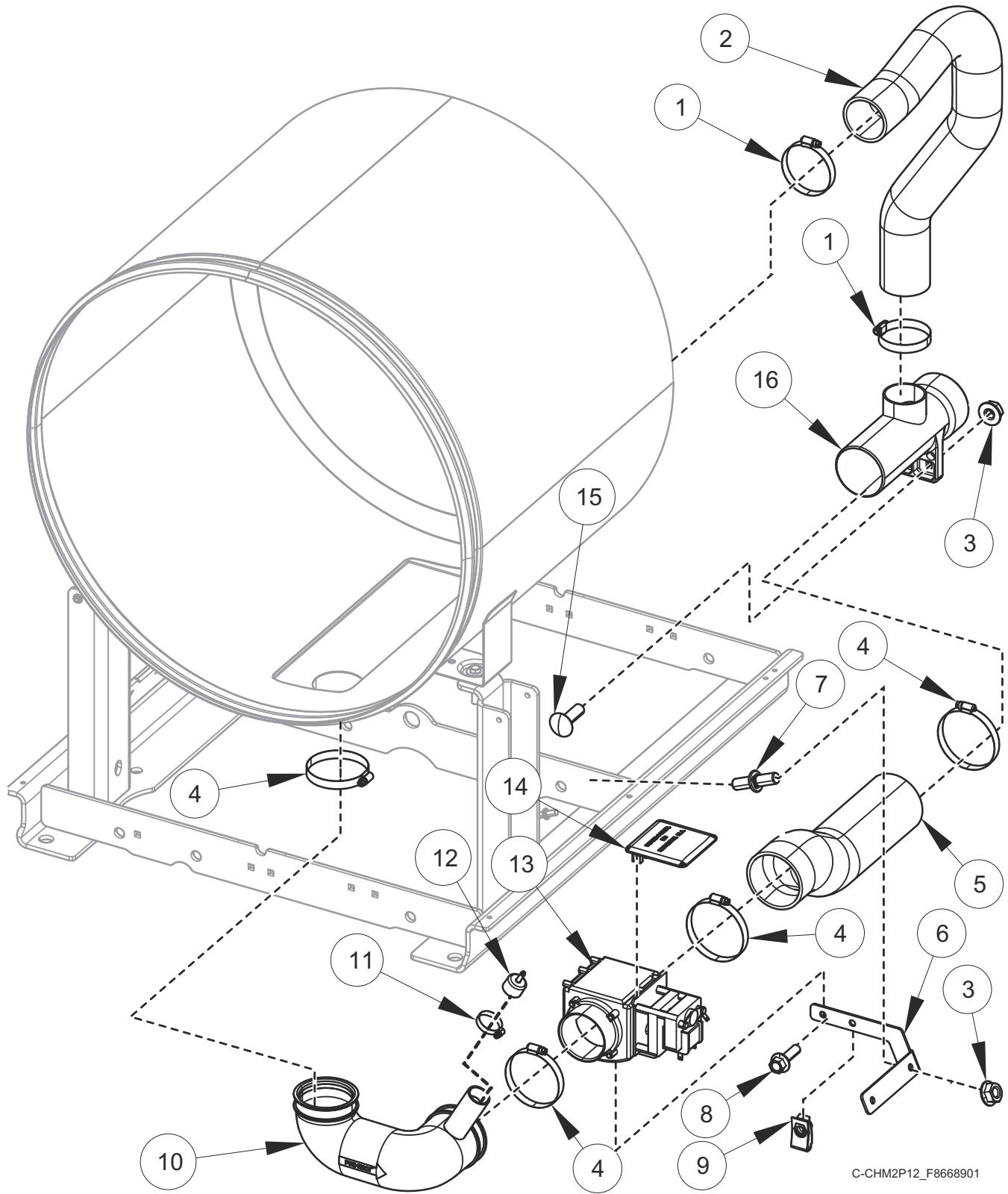


C-CHM2P6\_F8668901

# Bearing Housing

| REF       | PART NO.  | DESCRIPTION              | COMMENTS  |
|-----------|-----------|--------------------------|---|
|           | F8271601P | Bearing Housing Assembly | 20 pound models; Includes items 1-4 and 8; Standard |
|           | F8271602  | Bearing Housing Assembly | 20 pound models; Includes items 1-4 and 8; Viton    |
|           | F8271701P | Bearing Housing Assembly | 30 pound models; Includes items 1-4 and 8; Standard |
|           | F8271702  | Bearing Housing Assembly | 30 pound models; Includes items 1-4 and 8; Viton    |
|           | F8271801P | Bearing Housing Assembly | 40 pound models; Includes items 1-4 and 8; Standard |
|           | F8271802  | Bearing Housing Assembly | 40 pound models; Includes items 1-4 and 8; Viton    |
|           | F8271901P | Bearing Housing Assembly | 60 pound models; Includes items 1-4 and 8; Standard |
|           | F8271902  | Bearing Housing Assembly | 60 pound models; Includes items 1-4 and 8; Viton    |
| <b>1</b>  | F8203801  | Triple Lip Seal          | 20 pound models; Standard                           |
|           | F8203813  | Triple Lip Seal          | 20 pound models; Viton                              |
|           | F8203802  | Triple Lip Seal          | 30 pound models; Standard                           |
|           | F8203814  | Triple Lip Seal          | 30 pound models; Viton                              |
|           | F8203803  | Triple Lip Seal          | 40 pound models; Standard                           |
|           | F8203815  | Triple Lip Seal          | 40 pound models; Viton                              |
|           | F8203806  | Triple Lip Seal          | 60 pound models; Standard                           |
|           | F8203816  | Radial Lip Seal          | 60 pound models; Viton                              |
| <b>2</b>  | F8344901  | Retaining Ring           | 20 pound models                                     |
|           | F8345001  | Retaining Ring           | 30 pound models                                     |
|           | F8337801  | Retaining Ring           | 40 pound models                                     |
|           | F8337901  | Retaining Ring           | 60 pound models                                     |
| <b>3</b>  | F100137P  | Bearing                  | 20 and 40 pound models                              |
|           | F100123P  | Bearing                  | 30 pound models                                     |
|           | F100135   | Bearing                  | 60 pound models                                     |
| <b>4</b>  | F8247902  | Bearing Housing          | 20 pound models                                     |
|           | F8246802  | Bearing Housing          | 30 pound models                                     |
|           | F8249902  | Bearing Housing          | 40 pound models                                     |
|           | F8250902  | Bearing Housing          | 60 pound models                                     |
| <b>5</b>  | F8387701  | Nut                      |   |
| <b>6</b>  | F430339   | Washer                   |   |
| <b>7</b>  | F8388201  | Dowel Pin                |   |
| <b>8</b>  | F100136P  | Bearing                  | 20 pound models                                     |
|           | F100108   | Bearing                  | 30 pound models                                     |
|           | F100134   | Bearing                  | 40 and 60 pound models                              |
| <b>9</b>  | F8350302  | Seal Scupper Pad         |   |
| <b>10</b> | F8368801  | Screw                    |   |
| <b>11</b> | F8442702  | Screw                    |   |

# Drain Plumbing



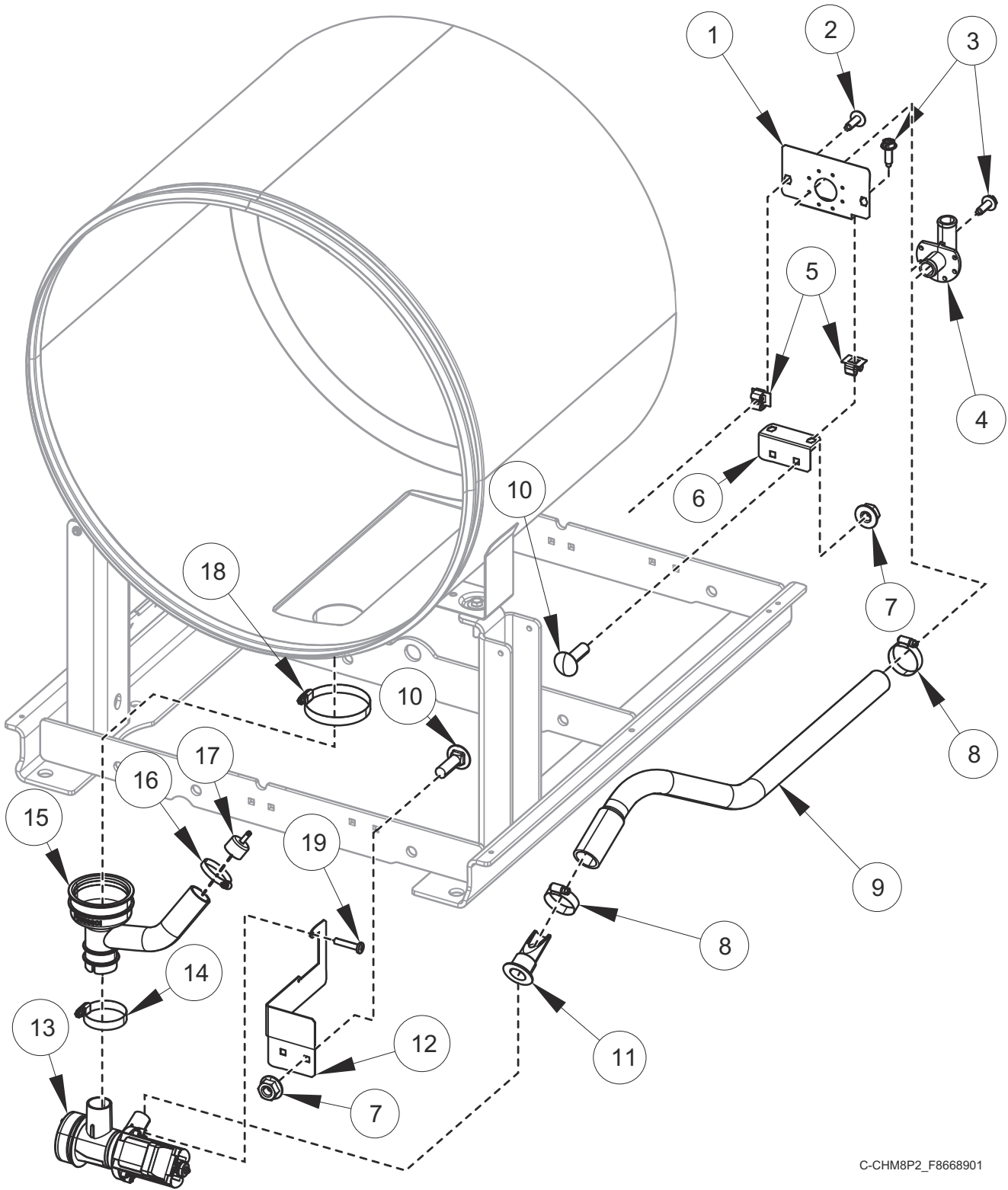
C-CHM2P12\_F8668901



## Drain Plumbing

| REF       | PART NO.   | DESCRIPTION         | COMMENTS  |
|-----------|------------|---------------------|---|
|           | F8520001   | Drain Valve Harness | 20 and 30 pound models                          |
|           | F8520002   | Drain Valve Harness | 40 and 60 pound models                          |
| <b>1</b>  | F200213    | Hose Clamp          |   |
| <b>2</b>  | F8522401   | Overflow Hose       | 20 pound models                                 |
|           | F8521201   | Overflow Hose       | 30 pound models                                 |
|           | F8522501   | Overflow Hose       | 40 and 60 pound models                          |
| <b>3</b>  | 44087201   | Nut                 |   |
| <b>4</b>  | F200201    | Hose Clamp          |   |
| <b>5</b>  | F8587301   | Rear Drain Hose     | 20 pound models                                 |
|           | F8543001   | Rear Drain Hose     | 30 pound models                                 |
|           | F8543201   | Rear Drain Hose     | 40 pound models                                 |
|           | F8543501   | Rear Drain Hose     | 60 pound models                                 |
| <b>6</b>  | F8587701   | Drain Valve Bracket | 20 pound models                                 |
|           | F8543101   | Drain Valve Bracket | 30 pound models                                 |
|           | F8543301   | Drain Valve Bracket | 40 pound models                                 |
|           | F8543401   | Drain Valve Bracket | 60 pound models                                 |
| <b>7</b>  | 70334702   | Stud                |   |
| <b>8</b>  | 202175     | Screw               |   |
| <b>9</b>  | 70030401   | Nut                 |   |
| <b>10</b> | F8542002   | Drain Hose          | 20 pound models                                 |
|           | F8541901   | Drain Hose          | 30, 40 and 60 pound models                      |
|           | F8542001   | Drain Hose          | 40 and 60 pound models; Steam and electric heat |
| <b>11</b> | 36802      | Hose Clamp          |   |
| <b>12</b> | F8579301   | Pressure Cap        |   |
| <b>13</b> | F200166302 | Drain Valve Kit     | 3 inch; 120 Volt; Left; NO; Includes item 14    |
|           | F8406308   | Drain Valve         | 3 inch; 120 Volt; Right; NO                     |
|           | F200166402 | Drain Valve Kit     | 3 inch; 230 Volt; Left; NO; Includes item 14    |
|           | F8577201   | Drain Valve Kit     | 3 inch; 230 Volt; Right; NO; Includes item 14   |
| <b>14</b> | F200133600 | Drain Valve Cover   |   |
| <b>15</b> | F8402801   | Bolt                |   |
| <b>16</b> | F150398    | Drain Tee           |   |

# Pump Drain Plumbing - 20, 30 and 40 Pound Models

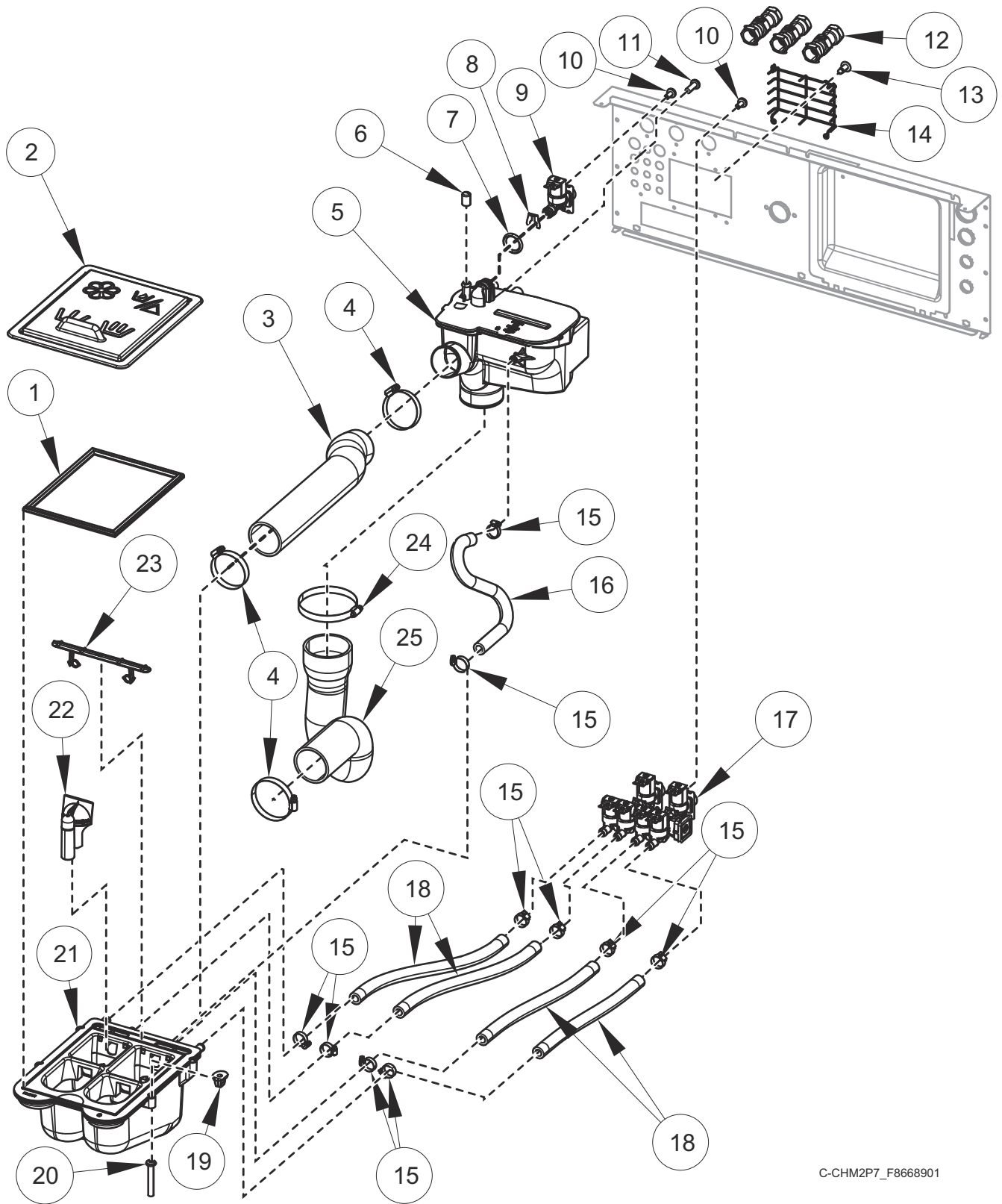


C-CHM8P2\_F8668901

## Pump Drain Plumbing - 20, 30 and 40 Pound Models

| REF       | PART NO. | DESCRIPTION                     | COMMENTS                    |
|-----------|----------|---------------------------------|-----------------------------|
|           | 27154    | Drain Hose                      | Hose to standpipe           |
|           | F150352  | Overflow Plug                   | 20 pound models             |
|           | F8520001 | Drain Valve Harness             | 20 and 30 pound models      |
|           | F8520002 | Drain Valve Harness             | 40 pound models             |
| <b>1</b>  | F8571301 | Bracket                         | Upper; Elbow mount          |
| <b>2</b>  | F8117601 | Screw                           |                             |
| <b>3</b>  | F8206901 | Screw                           |                             |
| <b>4</b>  | 35766    | Drain Hose Elbow                |                             |
| <b>5</b>  | 70030501 | Expansion Clip                  |                             |
| <b>6</b>  | F8571401 | Bracket                         | Lower; Elbow mount          |
| <b>7</b>  | 44087201 | Nut                             |                             |
| <b>8</b>  | F200204  | Hose Clamp                      |                             |
| <b>9</b>  | F8537001 | Pump Drain Rear Hose            | 20 pound models             |
|           | F8557001 | Pump Drain Rear Hose            | 30 pound models             |
|           | F8557201 | Pump Drain Rear Hose            | 40 pound models             |
| <b>10</b> | F8402801 | Bolt                            |                             |
| <b>11</b> | 800310   | Backflow Preventer              |                             |
| <b>12</b> | F8536901 | Pump Drain Bracket              | 20 pound models             |
|           | F8557101 | Pump Drain Bracket              | 30 pound models             |
|           | F8557301 | Pump Drain Bracket              | 40 pound models             |
| <b>13</b> | 805723   | Pump Drain and Bracket Assembly | 120 Volt/60 Hertz; Green    |
|           | 805613   | Pump Drain and Bracket Assembly | 208-240 Volt/60 Hertz; Red  |
|           | 804038   | Pump Drain and Bracket Assembly | 220-240 Volt/50 Hertz; Blue |
| <b>14</b> | F200215  | Hose Clamp                      |                             |
| <b>15</b> | F8556601 | Pump Drain Hose                 |                             |
| <b>16</b> | 36802    | Hose Clamp                      |                             |
| <b>17</b> | F8579301 | Pressure Cap                    |                             |
| <b>18</b> | F200219  | Hose Clamp                      |                             |
| <b>19</b> | F8658501 | Screw                           |                             |

# Fill Plumbing - 20 Pound Models

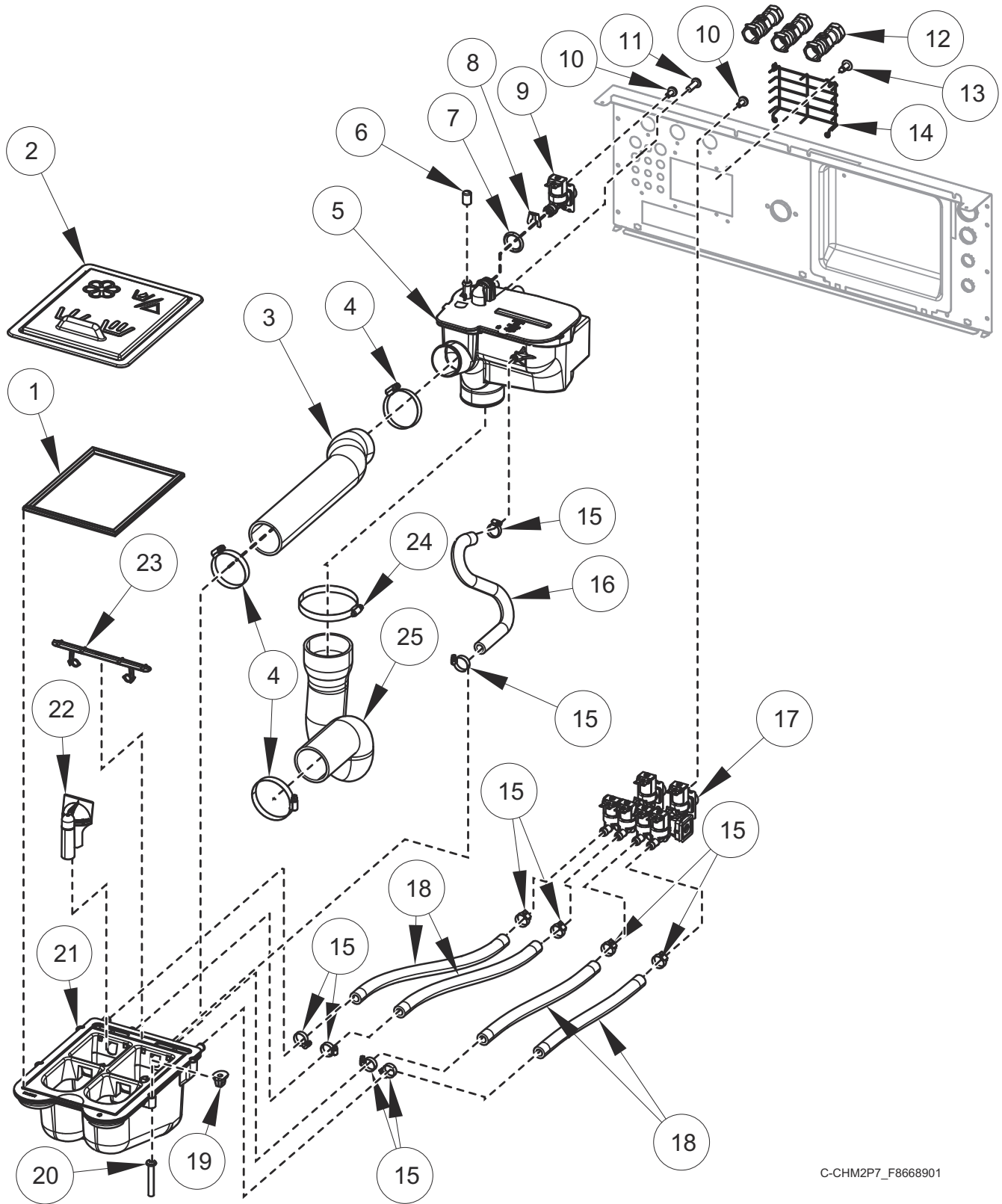


C-CHM2P7\_F8668901

## Fill Plumbing - 20 Pound Models

| REF       | PART NO.    | DESCRIPTION             | COMMENTS   |
|-----------|-------------|-------------------------|--|
|           | F8047403    | Dispenser               | Includes Items 21-23   |
|           | F8520101    | Fill Valve Harness      |  |
|           | F8665601    | Water Hose Kit          | Standard thread; Red (hot); Includes 20290 Washer and 803615 Washer Filter       |
|           | F8665603    | Water Hose Kit          | Standard thread; Blue (cold); Includes 20290 Washer and 803615 Washer Filter     |
|           | F8665602    | Water Hose Kit          | Metric thread; Red (hot); Includes 20290 Washer and 803615 Washer Filter         |
|           | F8665604    | Water Hose Kit          | Metric thread; Blue (cold); Includes 20290 Washer and 803615 Washer Filter       |
|           | F8671201    | Fill Hose Kit           | WRAS; Includes item 12 and F8665602 Water Hose Kit                               |
|           | F8671202    | Fill Hose Kit           | WRAS; Includes item 12 and F8665604 Water Hose Kit                               |
|           | F8671101    | Fill Hose Kit           | Australian watermark; Includes F8665602 Water Hose Kit and B12543901 Check Valve |
|           | F8671102    | Fill Hose Kit           | Australian watermark; Includes F8665604 Water Hose Kit and B12543901 Check Valve |
| <b>1</b>  | B12568601   | Dispenser Gasket        |  |
| <b>2</b>  | F8563204    | Dispenser Cover         | Black; Icons and text  |
|           | F8563203    | Dispenser Cover         | Gray; Icons and text   |
|           | F8563202    | Dispenser Cover         | Black; Icons   |
|           | F8563201    | Dispenser Cover         | Gray; Icons  |
| <b>3</b>  | F8529401    | Supply Vacuum Hose      |  |
| <b>4</b>  | F200213     | Hose Clamp              |  |
| <b>5</b>  | F8517503    | Vacuum Breaker Assembly | With inlet and fill  |
|           | F8517502    | Vacuum Breaker Assembly | With inlet   |
|           | F8517501    | Vacuum Breaker Assembly | With fill  |
|           | F8517504    | Vacuum Breaker Assembly |  |
| <b>6</b>  | F8197701    | Cap                     | WRAS   |
| <b>7</b>  | F8569101    | O-Ring                  |  |
| <b>8</b>  | F8566801    | Clip                    |  |
| <b>9</b>  | F8565201    | Valve                   | Standard   |
|           | F8565202    | Valve                   | Metric   |
| <b>10</b> | F8230301    | Screw                   |  |
| <b>11</b> | 800548      | Screw                   |  |
| <b>12</b> | F8301201    | Double Check Valve      | WRAS   |
| <b>13</b> | 70058501    | Pop Rivet               |  |
| <b>14</b> | F8589601    | Vacuum Breaker Guard    |  |
| <b>15</b> | 36801       | Hose Clamp              |  |
| <b>16</b> | F8616401    | Rear Vent Hose          |  |
| <b>17</b> | F8529701    | Manifold Valve          | Standard   |
|           | F8529702    | Manifold Valve          | Metric   |
| <b>18</b> | F8232007    | Hose                    |  |
| <b>19</b> | F0431807-00 | Nut                     |  |
| <b>20</b> | F8535601    | Screw                   |  |
| <b>21</b> | F8437902    | Dispenser Weldment      |  |
| <b>22</b> | F8047901    | Siphon Cover            |  |
| <b>23</b> | F8047801    | Access Cover            |  |
| <b>24</b> | F200201     | Hose Clamp              |  |
| <b>25</b> | F8529601    | P-Trap Hose             |  |

# Fill Plumbing - 30 Pound Models

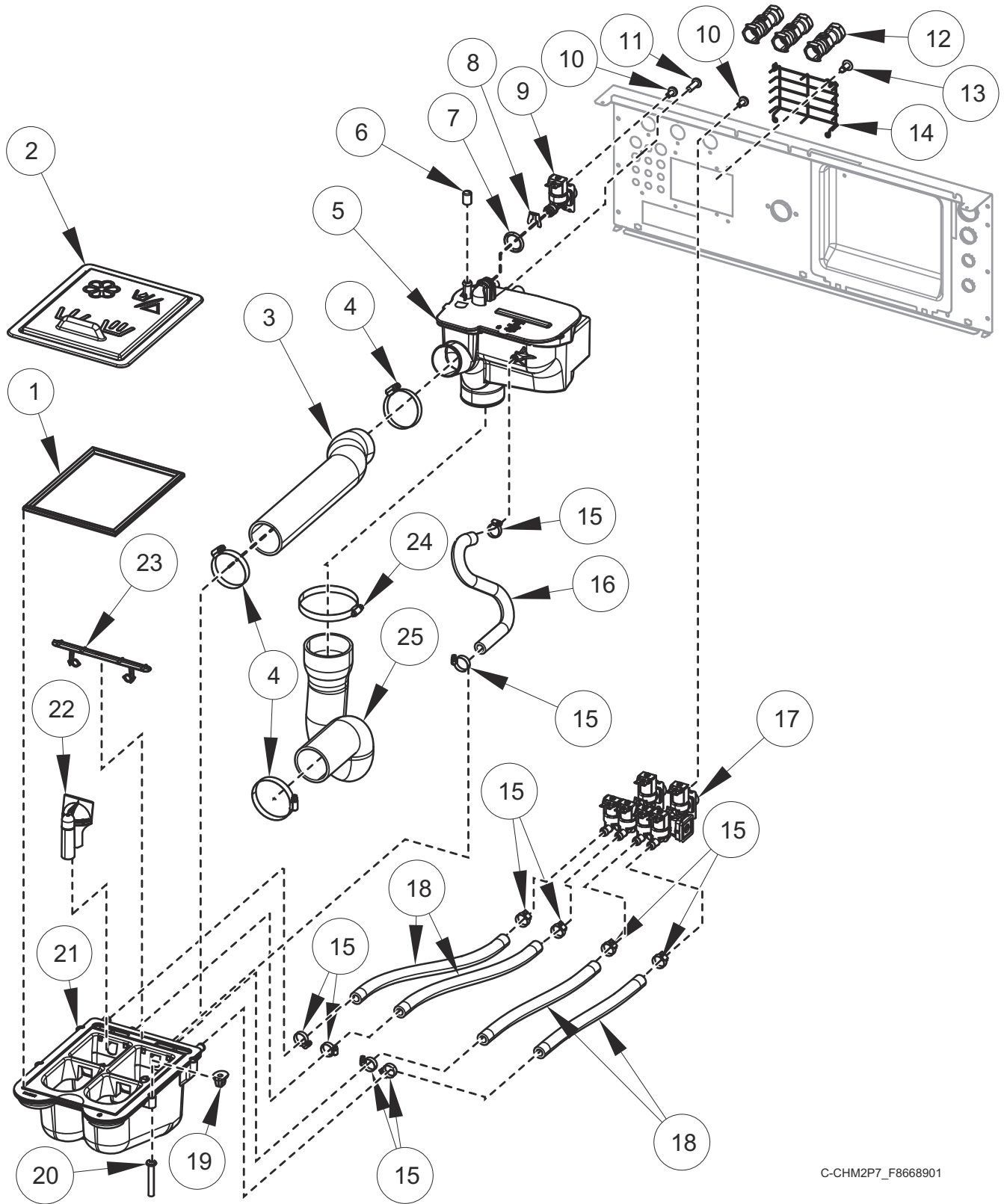


C-CHM2P7\_F8668901

## Fill Plumbing - 30 Pound Models

| REF       | PART NO.    | DESCRIPTION             | COMMENTS   |
|-----------|-------------|-------------------------|--|
|           | F8047403    | Dispenser               | Includes Items 21-23   |
|           | F8520101    | Fill Valve Harness      |  |
|           | F8665601    | Water Hose Kit          | Standard thread; Red (hot); Includes 20290 Washer and 803615 Washer Filter       |
|           | F8665603    | Water Hose Kit          | Standard thread; Blue (cold); Includes 20290 Washer and 803615 Washer Filter     |
|           | F8665602    | Water Hose Kit          | Metric thread; Red (hot); Includes 20290 Washer and 803615 Washer Filter         |
|           | F8665604    | Water Hose Kit          | Metric thread; Blue (cold); Includes 20290 Washer and 803615 Washer Filter       |
|           | F8671201    | Fill Hose Kit           | WRAS; Includes item 12 and F8665602 Water Hose Kit                               |
|           | F8671202    | Fill Hose Kit           | WRAS; Includes item 12 and F8665604 Water Hose Kit                               |
|           | F8671101    | Fill Hose Kit           | Australian watermark; Includes F8665602 Water Hose Kit and B12543901 Check Valve |
|           | F8671102    | Fill Hose Kit           | Australian watermark; Includes F8665604 Water Hose Kit and B12543901 Check Valve |
| <b>1</b>  | B12568601   | Dispenser Gasket        |  |
| <b>2</b>  | F8563204    | Dispenser Cover         | Black; Icons and text  |
|           | F8563203    | Dispenser Cover         | Gray; Icons and text   |
|           | F8563202    | Dispenser Cover         | Black; Icons   |
|           | F8563201    | Dispenser Cover         | Gray; Icons  |
| <b>3</b>  | F8529402    | Supply Vacuum Hose      |  |
| <b>4</b>  | F200213     | Hose Clamp              |  |
| <b>5</b>  | F8517503    | Vacuum Breaker Assembly | With inlet and fill  |
|           | F8517502    | Vacuum Breaker Assembly | With inlet   |
|           | F8517501    | Vacuum Breaker Assembly | With fill  |
|           | F8517504    | Vacuum Breaker Assembly |  |
| <b>6</b>  | F8197701    | Cap                     | WRAS   |
| <b>7</b>  | F8569101    | O-Ring                  |  |
| <b>8</b>  | F8566801    | Clip                    |  |
| <b>9</b>  | F8565201    | Valve                   | Standard   |
|           | F8565202    | Valve                   | Metric   |
| <b>10</b> | F8230301    | Screw                   |  |
| <b>11</b> | 800548      | Screw                   |  |
| <b>12</b> | F8301201    | Double Check Valve      | WRAS   |
| <b>13</b> | 70058501    | Pop Rivet               |  |
| <b>14</b> | F8589601    | Vacuum Breaker Guard    |  |
| <b>15</b> | 36801       | Hose Clamp              |  |
| <b>16</b> | F8616402    | Rear Vent Hose          |  |
| <b>17</b> | F8529701    | Manifold Valve          | Standard   |
|           | F8529702    | Manifold Valve          | Metric   |
| <b>18</b> | F8232011    | Hose                    |  |
| <b>19</b> | F0431807-00 | Nut                     |  |
| <b>20</b> | F8535601    | Screw                   |  |
| <b>21</b> | F8437902    | Dispenser Weldment      |  |
| <b>22</b> | F8047901    | Siphon Cover            |  |
| <b>23</b> | F8047801    | Access Cover            |  |
| <b>24</b> | F200201     | Hose Clamp              |  |
| <b>25</b> | F8529602    | P-Trap Hose             |  |

# Fill Plumbing - 40 Pound Models



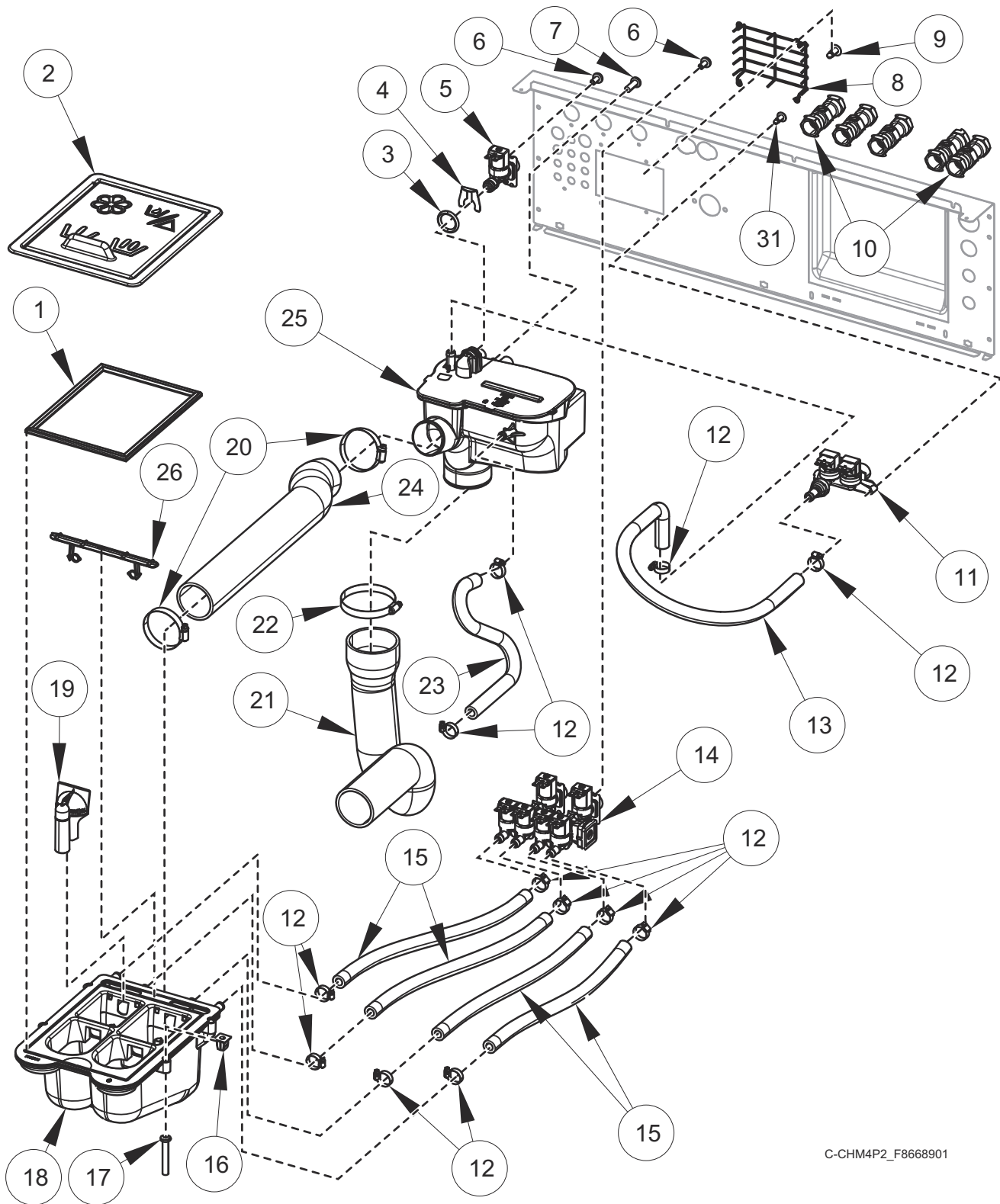
C-CHM2P7\_F8668901



## Fill Plumbing - 40 Pound Models

| REF       | PART NO.    | DESCRIPTION             | COMMENTS   |
|-----------|-------------|-------------------------|--|
|           | F8047403    | Dispenser               | Includes Items 21-23   |
|           | F8520101    | Fill Valve Harness      |  |
|           | F8665601    | Water Hose Kit          | Standard thread; Red (hot); Includes 20290 Washer and 803615 Washer Filter       |
|           | F8665603    | Water Hose Kit          | Standard thread; Blue (cold); Includes 20290 Washer and 803615 Washer Filter     |
|           | F8665602    | Water Hose Kit          | Metric thread; Red (hot); Includes 20290 Washer and 803615 Washer Filter         |
|           | F8665604    | Water Hose Kit          | Metric thread; Blue (cold); Includes 20290 Washer and 803615 Washer Filter       |
|           | F8671201    | Fill Hose Kit           | WRAS; Includes item 12 and F8665602 Water Hose Kit                               |
|           | F8671202    | Fill Hose Kit           | WRAS; Includes item 12 and F8665604 Water Hose Kit                               |
|           | F8671101    | Fill Hose Kit           | Australian watermark; Includes F8665602 Water Hose Kit and B12543901 Check Valve |
|           | F8671102    | Fill Hose Kit           | Australian watermark; Includes F8665604 Water Hose Kit and B12543901 Check Valve |
| <b>1</b>  | B12568601   | Dispenser Gasket        |  |
| <b>2</b>  | F8563204    | Dispenser Cover         | Black; Icons and text  |
|           | F8563203    | Dispenser Cover         | Gray; Icons and text   |
|           | F8563202    | Dispenser Cover         | Black; Icons   |
|           | F8563201    | Dispenser Cover         | Gray; Icons  |
| <b>3</b>  | F8529403    | Supply Vacuum Hose      |  |
| <b>4</b>  | F200213     | Hose Clamp              |  |
| <b>5</b>  | F8517503    | Vacuum Breaker Assembly | With inlet and fill  |
|           | F8517502    | Vacuum Breaker Assembly | With inlet   |
|           | F8517501    | Vacuum Breaker Assembly | With fill  |
|           | F8517504    | Vacuum Breaker Assembly |  |
| <b>6</b>  | F8197701    | Cap                     | WRAS   |
| <b>7</b>  | F8569101    | O-Ring                  |  |
| <b>8</b>  | F8566801    | Clip                    |  |
| <b>9</b>  | F8565201    | Valve                   | Standard   |
|           | F8565202    | Valve                   | Metric   |
| <b>10</b> | F8230301    | Screw                   |  |
| <b>11</b> | 800548      | Screw                   |  |
| <b>12</b> | F8301201    | Double Check Valve      | WRAS   |
| <b>13</b> | 70058501    | Pop Rivet               |  |
| <b>14</b> | F8589601    | Vacuum Breaker Guard    |  |
| <b>15</b> | 36801       | Hose Clamp              |  |
| <b>16</b> | F8616402    | Rear Vent Hose          |  |
| <b>17</b> | F8529701    | Manifold Valve          | Standard   |
|           | F8529702    | Manifold Valve          | Metric   |
| <b>18</b> | F8232010    | Hose                    |  |
| <b>19</b> | F0431807-00 | Nut                     |  |
| <b>20</b> | F8535601    | Screw                   |  |
| <b>21</b> | F8437902    | Dispenser Weldment      |  |
| <b>22</b> | F8047901    | Siphon Cover            |  |
| <b>23</b> | F8047801    | Access Cover            |  |
| <b>24</b> | F200201     | Hose Clamp              |  |
| <b>25</b> | F8529603    | P-Trap Hose             |  |

# Fill Plumbing - 60 Pound Models

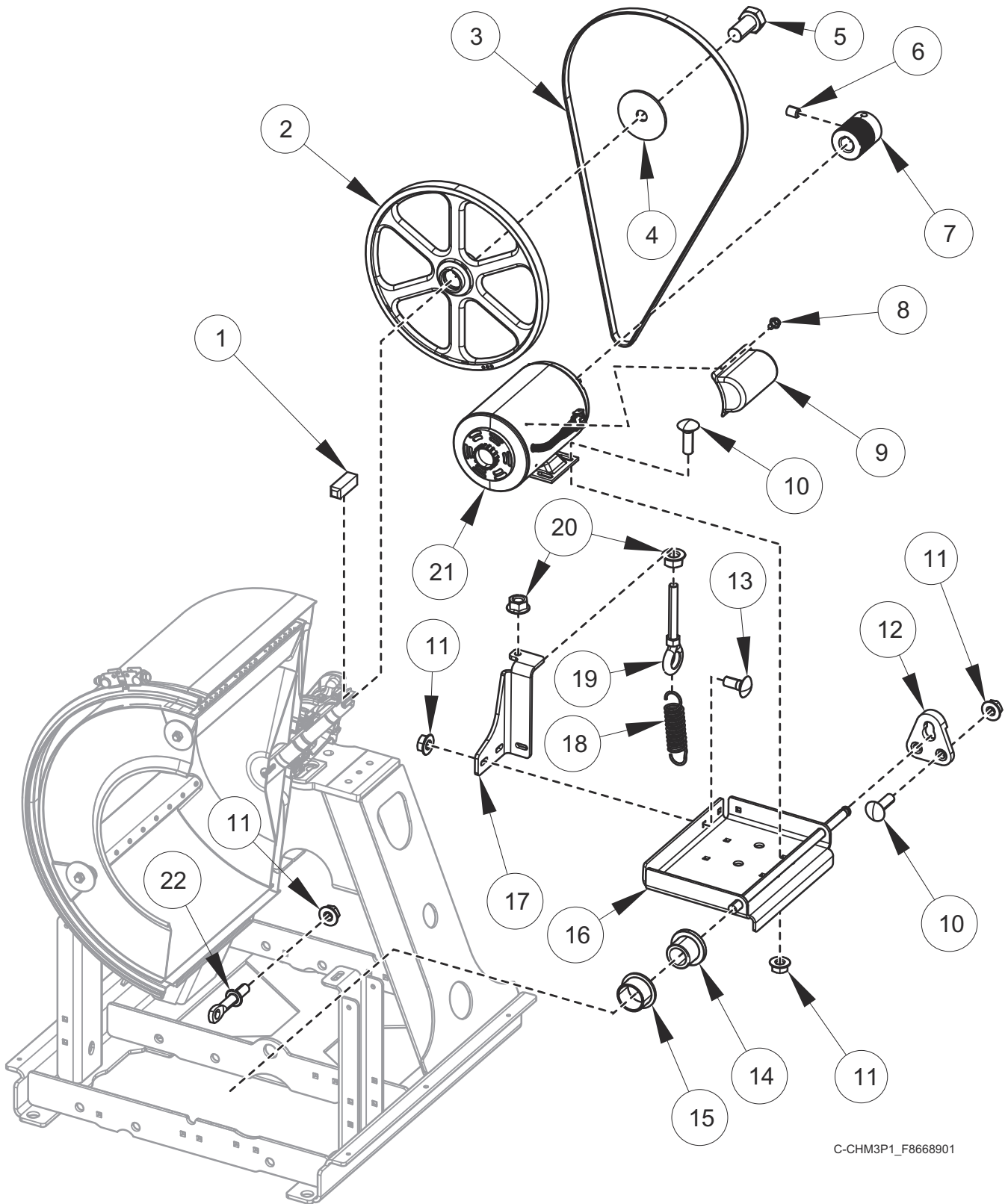


C-CHM4P2\_F8668901

## Fill Plumbing - 60 Pound Models

| REF       | PART NO.     | DESCRIPTION             | COMMENTS   |
|-----------|--------------|-------------------------|--|
|           | F8047403     | Dispenser               | Includes Items 18, 19 and 26   |
|           | F8520102     | Fill Valve Harness      |  |
|           | 223/00243/00 | Y-Connector             |  |
|           | F8665601     | Water Hose Kit          | Standard thread; Red (hot); Includes 20290 Washer and 803615 Washer Filter       |
|           | F8665603     | Water Hose Kit          | Standard thread; Blue (cold); Includes 20290 Washer and 803615 Washer Filter     |
|           | F8665602     | Water Hose Kit          | Metric thread; Red (hot); Includes 20290 Washer and 803615 Washer Filter         |
|           | F8665604     | Water Hose Kit          | Metric thread; Blue (cold); Includes 20290 Washer and 803615 Washer Filter       |
|           | F8671201     | Fill Hose Kit           | WRAS; Includes item 11 and F8665602 Water Hose Kit                               |
|           | F8671202     | Fill Hose Kit           | WRAS; Includes item 11 and F8665604 Water Hose Kit                               |
|           | F8671101     | Fill Hose Kit           | Australian watermark; Includes F8665602 Water Hose Kit and B12543901 Check Valve |
|           | F8671102     | Fill Hose Kit           | Australian watermark; Includes F8665604 Water Hose Kit and B12543901 Check Valve |
| <b>1</b>  | B12568601    | Dispenser Gasket        |  |
| <b>2</b>  | F8563204     | Dispenser Cover         | Black; Icons and text  |
|           | F8563203     | Dispenser Cover         | Gray; Icons and text   |
|           | F8563202     | Dispenser Cover         | Black; Icons   |
|           | F8563201     | Dispenser Cover         | Gray; Icons  |
| <b>3</b>  | F8569101     | O-Ring                  |  |
| <b>4</b>  | F8566801     | Clip                    |  |
| <b>5</b>  | F8565201     | Valve                   | 3/4 inch; Standard   |
|           | F8565202     | Valve                   | 3/4 inch; Metric   |
| <b>6</b>  | F8230301     | Screw                   |  |
| <b>7</b>  | 800548       | Screw                   |  |
| <b>8</b>  | F8589601     | Vacuum Breaker Guard    |  |
| <b>9</b>  | 70058501     | Pop Rivet               |  |
| <b>10</b> | F8301201     | Double Check Valve      | WRAS   |
| <b>11</b> | F8434003     | Mixing Valve            | Standard   |
|           | F8434004     | Mixing Valve            | Metric   |
| <b>12</b> | 36801        | Hose Clamp              |  |
| <b>13</b> | F8598501     | Auxiliary Fill Hose     |  |
| <b>14</b> | F8529701     | Manifold Valve          | Standard   |
|           | F8529702     | Manifold Valve          | Metric   |
| <b>15</b> | F8232012     | Hose                    |  |
| <b>16</b> | F0431807-00  | Nut                     |  |
| <b>17</b> | F8535601     | Screw                   |  |
| <b>18</b> | F8437902     | Dispenser Weldment      |  |
| <b>19</b> | F8047901     | Siphon Cover            |  |
| <b>20</b> | F200213      | Hose Clamp              |  |
| <b>21</b> | F8529604     | P-Trap Hose             |  |
| <b>22</b> | F200201      | Hose Clamp              |  |
| <b>23</b> | F8616404     | Rear Vent Hose          |  |
| <b>24</b> | F8529404     | Supply Vacuum Hose      |  |
| <b>25</b> | F8517503     | Vacuum Breaker Assembly | With inlet and fill  |
|           | F8517502     | Vacuum Breaker Assembly | With inlet; WRAS   |
|           | F8517501     | Vacuum Breaker Assembly | With fill; WRAS  |
|           | F8517504     | Vacuum Breaker Assembly |  |
| <b>26</b> | F8047801     | Access Cover            |  |

# Motor, Pulley and Belt - 20 and 30 Pound Models

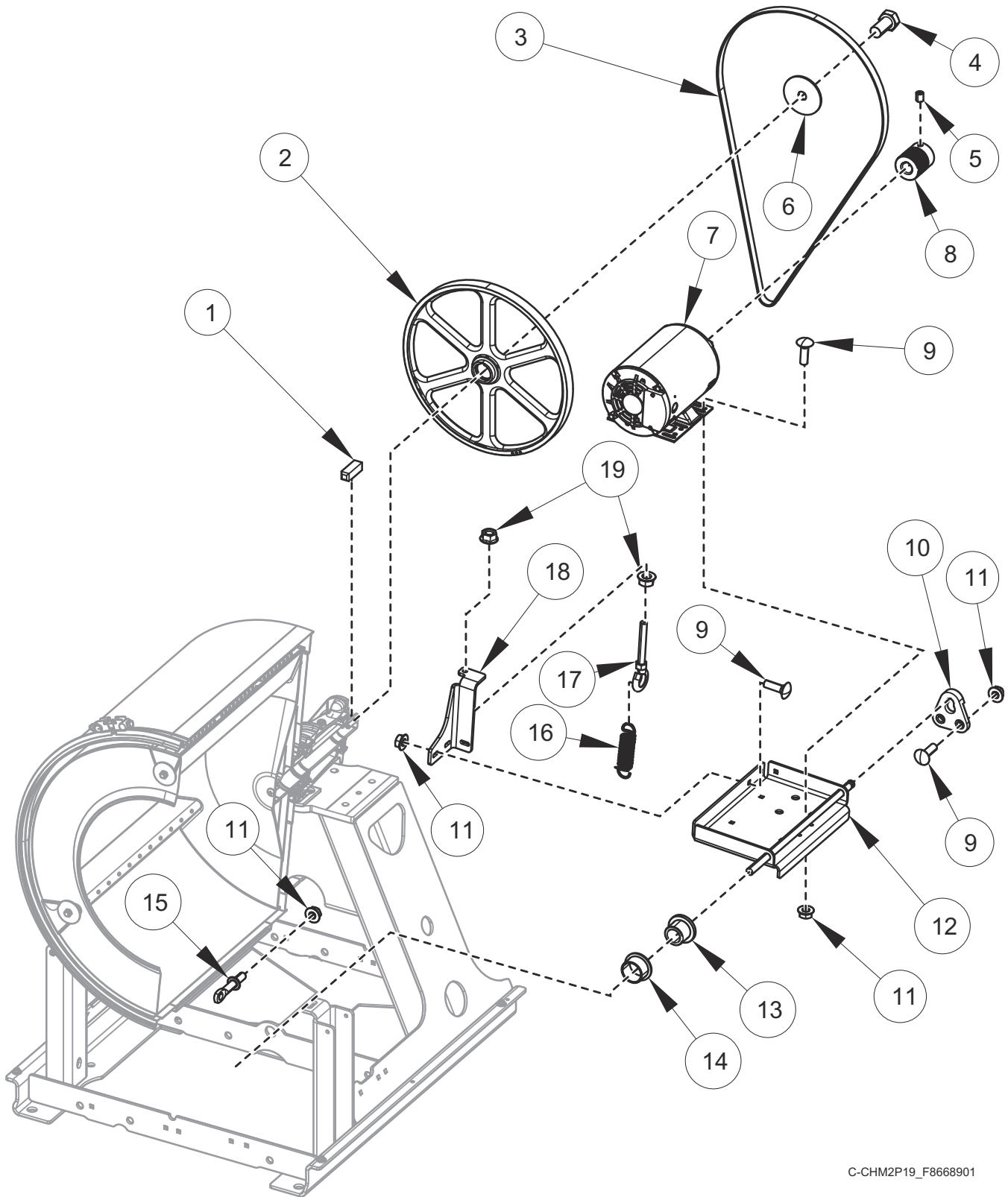


C-CHM3P1\_F8668901

## Motor, Pulley and Belt - 20 and 30 Pound Models

| REF       | PART NO. | DESCRIPTION                    | COMMENTS                       |
|-----------|----------|--------------------------------|--------------------------------|
|           | F8519001 | Motor Harness                  | 1 hp; 120-240 Volt             |
|           | F8519006 | Motor Harness                  | 1 hp; 120-240 Volt; EMI filter |
|           | F8519002 | Motor Harness                  | 1 hp; 380-480 Volt             |
|           | F8519007 | Motor Harness                  | 1 hp; 380-480 Volt; EMI filter |
| <b>1</b>  | F430801  | Key                            |                                |
| <b>2</b>  | F8511601 | Basket Pulley                  | 20 pound models                |
|           | F8511701 | Basket Pulley                  | 30 pound models                |
| <b>3</b>  | F8382811 | Belt                           | 20 pound models; Poly-V; 560J6 |
|           | F8382812 | Belt                           | 30 pound models; Poly-V; 690J6 |
| <b>4</b>  | F431115  | Washer                         |                                |
| <b>5</b>  | F8574001 | Screw                          |                                |
| <b>6</b>  | F8536701 | Set Screw                      |                                |
| <b>7</b>  | F8525301 | Motor Pulley                   |                                |
| <b>8</b>  | 23222    | Screw                          |                                |
| <b>9</b>  | 70521901 | Motor Conduit Mounting Bracket |                                |
| <b>10</b> | F8402801 | Bolt                           |                                |
| <b>11</b> | 44087201 | Nut                            |                                |
| <b>12</b> | F8441101 | Motor Rod Plate                |                                |
| <b>13</b> | 70062401 | Bolt                           |                                |
| <b>14</b> | F8535202 | Flanged Isolator               |                                |
| <b>15</b> | F8333302 | Flanged Bushing                |                                |
| <b>16</b> | F8589001 | Motor Bracket Weldment         |                                |
| <b>17</b> | F8581201 | Spring Bracket                 |                                |
| <b>18</b> | F310124  | Extension Spring               |                                |
| <b>19</b> | F8319503 | Eye Bolt                       |                                |
| <b>20</b> | 44087301 | Nut                            |                                |
| <b>21</b> | F8509601 | Motor                          | 1 hp; 230 Volt                 |
|           | F8509701 | Motor                          | 1 hp; 460 Volt                 |
| <b>22</b> | F8351901 | Eye Bolt                       |                                |

# Motor, Pulley and Belt - 40 and 60 Pound Models

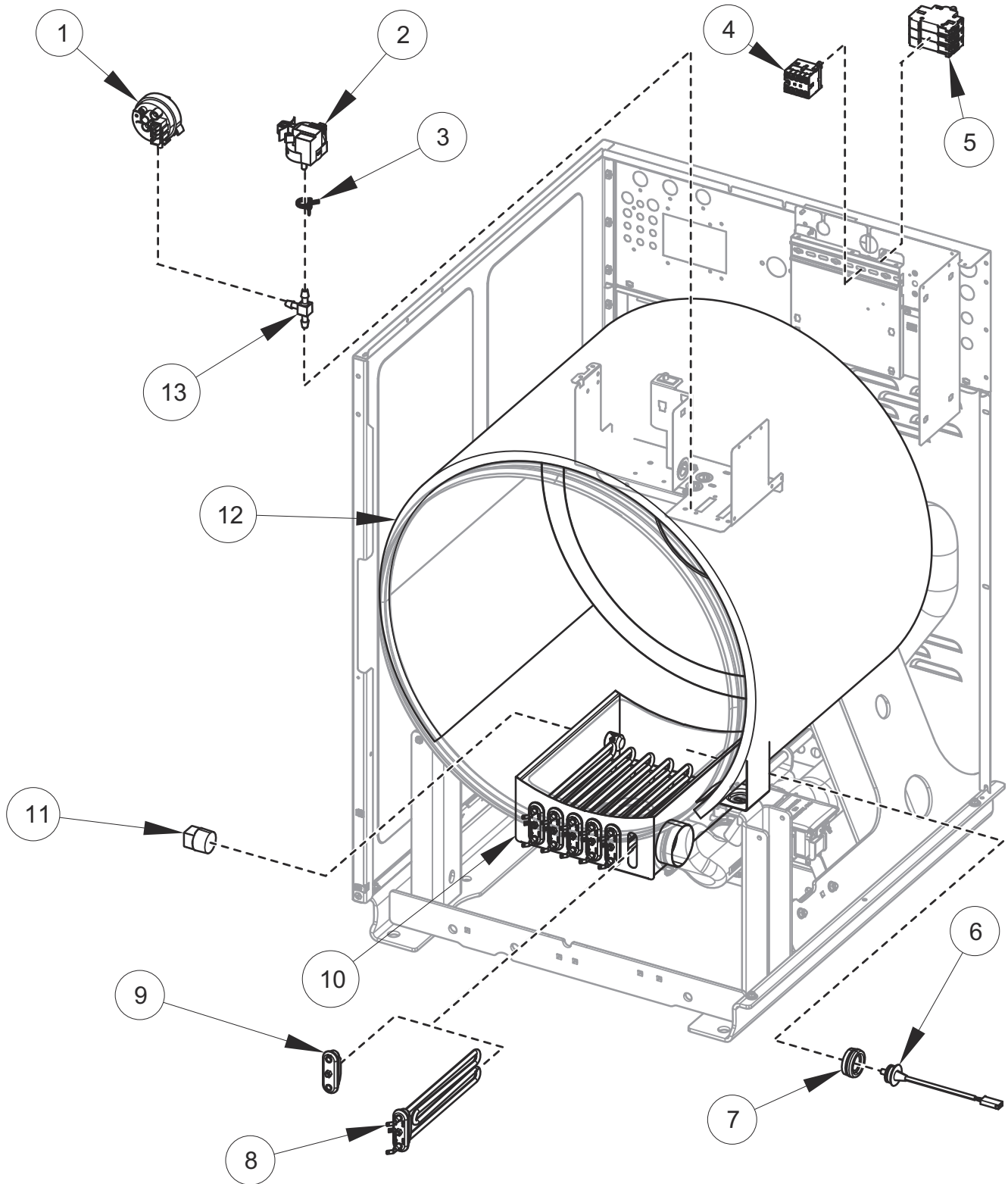


C-CHM2P19\_F8668901

## Motor, Pulley and Belt - 40 and 60 Pound Models

| REF       | PART NO.  | DESCRIPTION            | COMMENTS                                   |
|-----------|-----------|------------------------|--|
|           | F8519003  | Motor Harness          | 2-3 hp; 240 Volt; B, Q, W, X and Y voltage |
|           | F8519004  | Motor Harness          | 2-3 hp; 480 Volt; N and P voltage          |
|           | F8519008  | Motor Harness          | B, Q, W, X and Y voltage; EMI filter       |
|           | F8519009  | Motor Harness          | N and P voltage; EMI filter                |
| <b>1</b>  | F430801   | Key                    |  |
| <b>2</b>  | F8511701  | Basket Pulley          | 40 pound models                            |
|           | F8511801  | Basket Pulley          | 60 pound models                            |
| <b>3</b>  | F8382813  | Belt                   | 40 pound models; Poly-V; 717J8             |
|           | F8382818  | Belt                   | 60 pound models; Poly-V; 765J10            |
| <b>4</b>  | F8574001  | Screw                  |  |
| <b>5</b>  | F8536701  | Set Screw              |  |
| <b>6</b>  | F431115   | Washer                 |  |
| <b>7</b>  | F8564101  | Motor                  | 2 hp; 230/460 Volt; 40 pound models        |
|           | F8564102P | Motor                  | 3 hp; 230/460 Volt; 60 pound models        |
| <b>8</b>  | F8525301  | Motor Pulley           | 40 pound models                            |
|           | F8525302  | Motor Pulley           | 60 pound models                            |
| <b>9</b>  | F8402801  | Bolt                   |  |
| <b>10</b> | F8441101  | Motor Rod Plate        |  |
| <b>11</b> | 44087201  | Nut                    |  |
| <b>12</b> | F8589002  | Motor Bracket Weldment |  |
| <b>13</b> | F8535202  | Flanged Isolator       |  |
| <b>14</b> | F8333302  | Flanged Bushing        |  |
| <b>15</b> | F8351901  | Eye Bolt               |  |
| <b>16</b> | F310124   | Extension Spring       |  |
| <b>17</b> | F8319503  | Eye Bolt               |  |
| <b>19</b> | 44087301  | Nut                    |  |

# Electric Heating



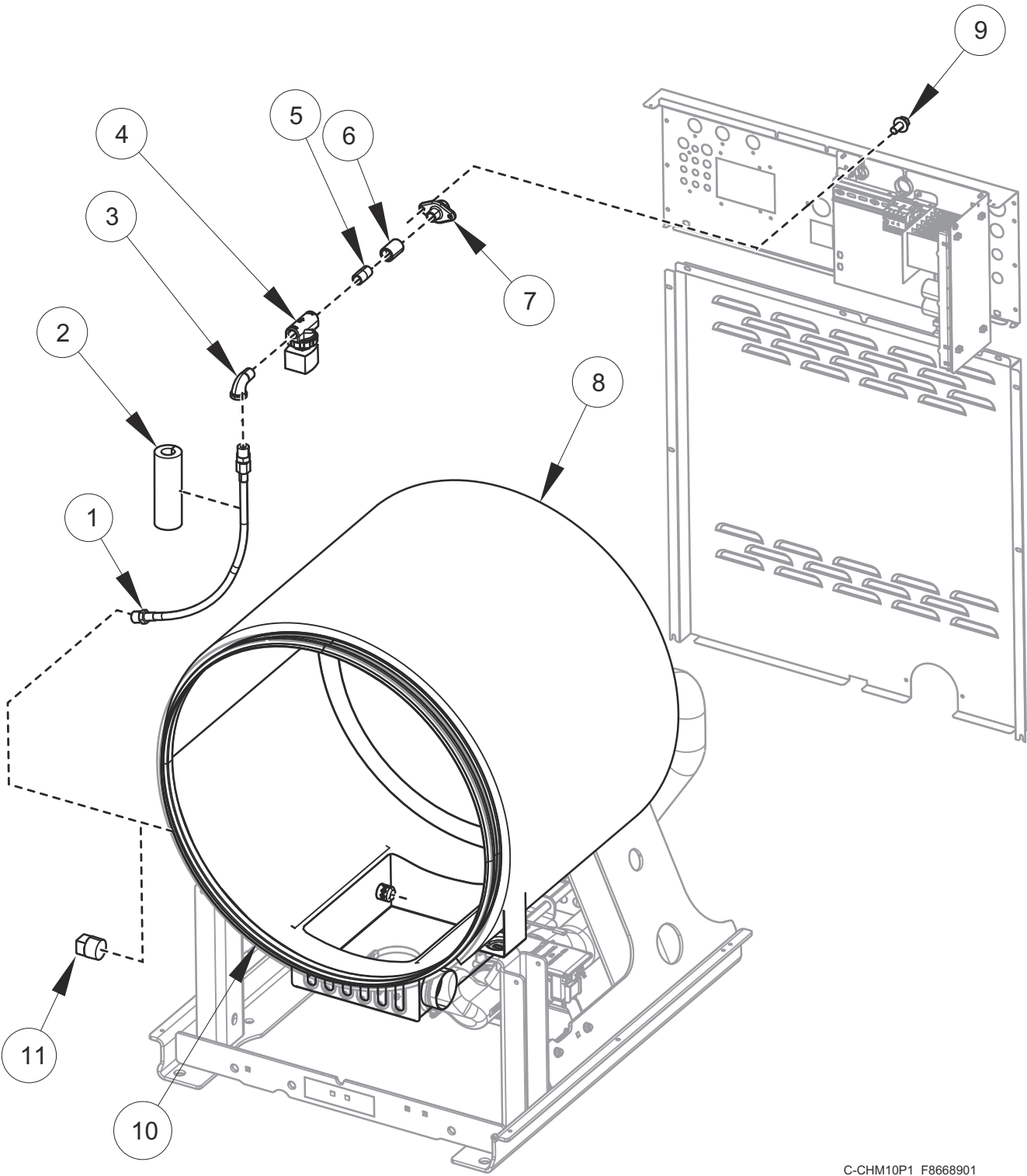
C-CHM8P6\_F8668901



# Electric Heating

| REF       | PART NO.   | DESCRIPTION                   | COMMENTS   |
|-----------|------------|-------------------------------|--|
|           | F8584801   | Electric Heat Element Harness | 3 element ground   |
|           | F8584802   | Electric Heat Element Harness | 6 element ground   |
|           | F8619101   | Power Harness                 |  |
|           | F8564001   | Harness                       | Heater; 20 and 30 pound models; N and P Voltage                                    |
|           | F8564002   | Harness                       | Heater; 20 and 30 pound models; Q Voltage  |
|           | F8564003   | Harness                       | Heater; 40 and 60 pound models; N, P and Q Voltage                                 |
|           | F8598301   | Harness                       | Thermistor; 20 and 30 pound models   |
|           | F8598302   | Harness                       | Thermistor; 40 and 60 pound models   |
|           | F8568901   | Jumper                        | 40 and 60 pound models with N voltage  |
|           | F8569001   | Jumper                        | 40 and 60 pound models with P voltage; 20 and 30 pound models with N and P voltage |
| <b>1</b>  | F8609101   | Water Level Pressure Switch   |  |
| <b>2</b>  | F8623401   | Pressure Sensor               |  |
| <b>3</b>  | 39282      | Hose Clamp                    |  |
| <b>4</b>  | 70482601   | Contactactor                  |  |
| <b>5</b>  | 70488101   | Circuit Breaker               |  |
| <b>6</b>  | F8538801   | Thermistor                    |  |
| <b>7</b>  | 2251000400 | Temperature Probe Grommet     |  |
| <b>8</b>  | F8568401   | Heating Element               | 2600W; 240 Volt  |
|           | F8568402   | Heating Element               | 3400W; 277 Volt  |
|           | F8568301   | Heating Element               | 4200W; 230 Volt  |
| <b>9</b>  | F360202    | Heating Element Plug          |  |
| <b>10</b> | F8512102   | Shell                         | 20 pound models  |
|           | F8514002   | Shell                         | 30 pound models  |
|           | F8512202   | Shell                         | 40 pound models  |
|           | F8543702   | Shell                         | 60 pound models  |
| <b>11</b> | F420408    | Plug                          | 20, 30 and 40 pound models   |
|           | F420409    | Plug                          | 60 pound models  |
| <b>12</b> | F8209101   | Insulation                    | 20 pound models  |
|           | F8209102   | Insulation                    | 30 pound models  |
|           | F8209103   | Insulation                    | 40 pound models  |
|           | F8209104   | Insulation                    | 60 pound models  |
| <b>13</b> | 203464     | Barbed Tee                    |  |

# Steam Heating - 40 and 60 Pound Models

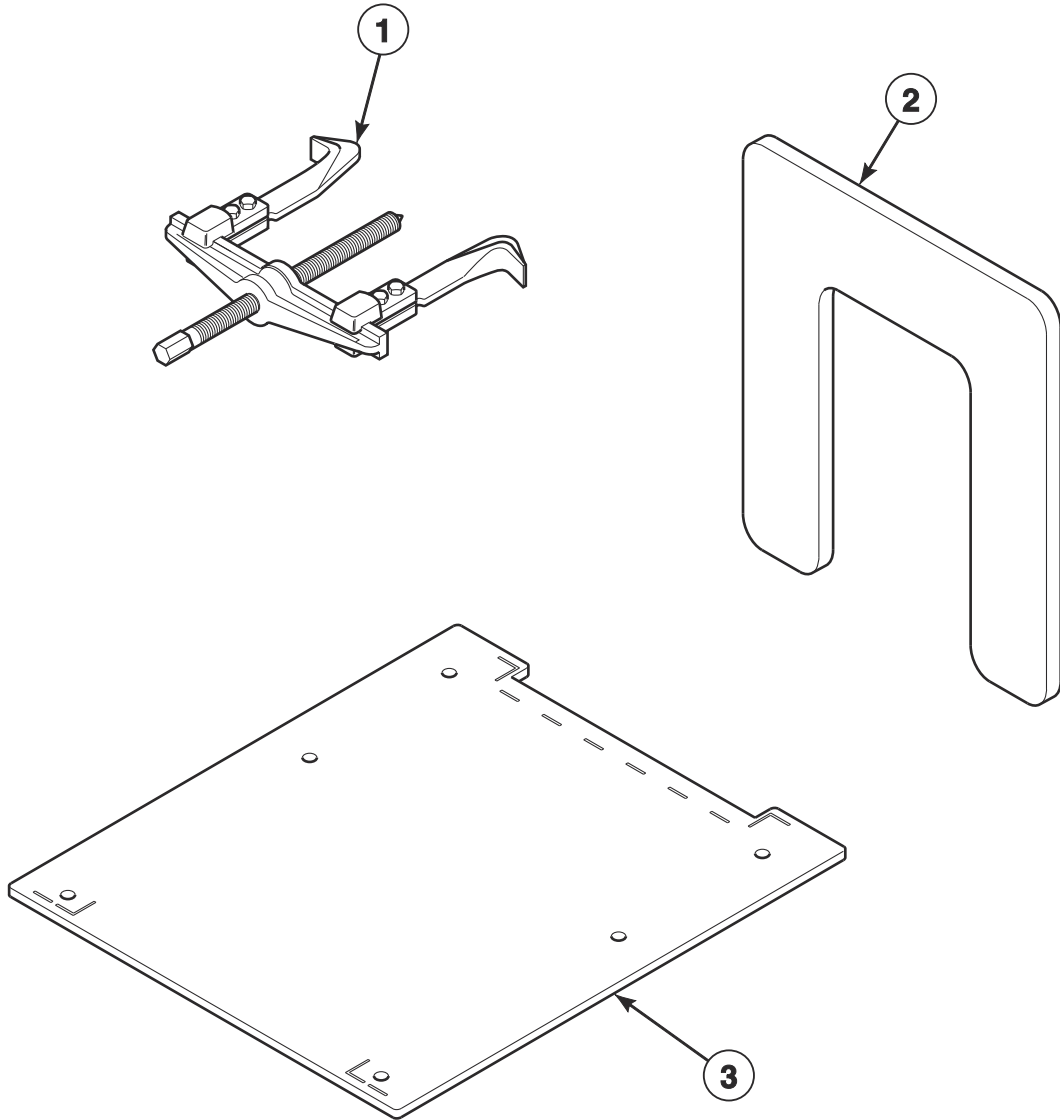


C-CHM10P1\_F8668901

## Steam Heating - 40 and 60 Pound Models

| REF       | PART NO.  | DESCRIPTION     | COMMENTS  |
|-----------|-----------|-----------------|---|
|           | F8662602  | Steam Kit       | 40 pound models; Includes Items 1-7, 9, 11, 901403 Pipe Nipple, F270307 Steam Filter, F8520704 Harness, insulation and labels                       |
|           | F8662601  | Steam Kit       | 60 pound models; Includes Items 1-7, 9, 11, 901403 Pipe Nipple, 70214101 Pipe Nipple, F270307 Steam Filter, F8520704 Harness, insulation and labels |
|           | F270307   | Steam Filter    | 1/2 inch  |
|           | F270308   | Steam Filter    | 3/4 inch  |
|           | F8520704  | Harness         | Steam Valve   |
|           | F8233704  | Insulation      | Steam pipe; 12 inches   |
|           | F8233708  | Pipe Insulation | Steam pipe; 20 inches   |
|           | F410300   | Pipe Insulation | Steam pipe; 36 inches   |
| <b>1</b>  | F200153P  | Steam Hose      | 40 pound models   |
|           | F200197   | Steam Hose      | 60 pound models   |
| <b>2</b>  | F8233702  | Insulation      | Steam pipe; 6 inches  |
| <b>3</b>  | H86070034 | Street Elbow    |   |
| <b>4</b>  | F8322805  | Valve           |   |
| <b>5</b>  | 70435601  | Pipe Nipple     |   |
| <b>6</b>  | F8116301  | Coupling        |   |
| <b>7</b>  | F8362701  | Coupling        |   |
| <b>8</b>  | F8209103  | Insulation      | 40 pound models   |
|           | F8209104  | Insulation      | 60 pound models   |
| <b>9</b>  | 70321501  | Screw           |   |
| <b>10</b> | F8512202  | Shell           | 40 pound models   |
|           | F8543702  | Shell           | 60 pound models   |
| <b>11</b> | F420408   | Plug            |   |

# Special Tools and Kits



CHM3486P\_F8668901

## Special Tools and Kits

| REF      | PART NO.  | DESCRIPTION               | COMMENTS                  |
|----------|-----------|---------------------------|---------------------------|
|          | 1111P     | Concrete Kit              | 5/8 inch                  |
|          | 389P4     | Basket Tool Kit           | Purchase; Requires item 1 |
|          | 390P4-1   | Basket Rental Tool Kit    | Purchase; Requires item 1 |
|          | 203346    | USB IR Interface Kit      |                           |
| <b>1</b> | F460129P  | Basket Puller Tool        |                           |
| <b>2</b> | F8608502P | Basket Pulley Puller Tool | Use with item 1           |
| <b>3</b> | F8433301  | Frame Template            | 20 pound models           |
|          | F8433401  | Frame Template            | 30 pound models           |
|          | F8433501  | Frame Template            | 40 pound models           |
|          | F8433601  | Frame Template            | 60 pound models           |



# Parts Index

## A

|                               |                |
|-------------------------------|----------------|
| Access Cover                  |                |
| F8047801 .....                | 59, 61, 63, 65 |
| Access Panel                  |                |
| F8524001 .....                | 37             |
| F8524101 .....                | 37             |
| F8524201 .....                | 37             |
| F8553901 .....                | 37             |
| Access Panel Retaining Spacer |                |
| F8609701 .....                | 37             |
| Auxiliary Fill Hose           |                |
| F8598501 .....                | 65             |

## B

|                           |        |
|---------------------------|--------|
| Backflow Preventer        |        |
| 800310 .....              | 57     |
| Barbed Tee                |        |
| 203464 .....              | 9, 71  |
| Basket                    |        |
| F8391302 .....            | 51     |
| F8391304 .....            | 51     |
| F8391502 .....            | 51     |
| F8391504 .....            | 51     |
| F8391702 .....            | 51     |
| F8391704 .....            | 51     |
| F8502802 .....            | 51     |
| F8502805 .....            | 51     |
| Basket Puller Tool        |        |
| F460129P .....            | 75     |
| Basket Pulley             |        |
| F8511601 .....            | 67     |
| F8511701 .....            | 67, 69 |
| F8511801 .....            | 69     |
| Basket Pulley Puller Tool |        |
| F8608502P .....           | 75     |
| Basket Rental Tool Kit    |        |
| 390P4-1 .....             | 75     |
| Basket Tool Kit           |        |
| 389P4 .....               | 75     |
| Bearing                   |        |
| F100108 .....             | 53     |
| F100123P .....            | 53     |
| F100134 .....             | 53     |
| F100135 .....             | 53     |
| F100136P .....            | 53     |
| F100137P .....            | 53     |
| Bearing Housing           |        |
| F8246802 .....            | 53     |
| F8247902 .....            | 53     |
| F8249902 .....            | 53     |
| F8250902 .....            | 53     |
| Bearing Housing Assembly  |        |
| F8271601P .....           | 53     |
| F8271602 .....            | 53     |
| F8271701P .....           | 53     |
| F8271702 .....            | 53     |
| F8271801P .....           | 53     |
| F8271802 .....            | 53     |

|                 |                        |
|-----------------|------------------------|
| F8271901P ..... | 53                     |
| F8271902 .....  | 53                     |
| Belt            |                        |
| F8382811 .....  | 67                     |
| F8382812 .....  | 67                     |
| F8382813 .....  | 69                     |
| F8382818 .....  | 69                     |
| Bolt            |                        |
| F430974 .....   | 43, 45, 47             |
| F8270701 .....  | 49                     |
| F8402801 .....  | 55, 57, 67, 69         |
| F8508101 .....  | 43, 45, 47             |
| 70062401 .....  | 67                     |
| Bracket         |                        |
| F8571301 .....  | 57                     |
| F8571401 .....  | 57                     |
| Bushing         |                        |
| 70346501 .....  | 21, 23, 25, 27, 29, 31 |

## C

|                            |                    |
|----------------------------|--------------------|
| Cabinet Brace              |                    |
| F8527301 .....             | 39                 |
| F8527401 .....             | 39                 |
| F8527501 .....             | 39                 |
| F8553201 .....             | 39                 |
| Cable                      |                    |
| F8521301 .....             | 39                 |
| Cap                        |                    |
| F8197701 .....             | 59, 61, 63         |
| Chemical Injection Control |                    |
| 804528 .....               | 33                 |
| Circuit Breaker            |                    |
| 70488101 .....             | 25, 27, 29, 31, 71 |
| Clip                       |                    |
| F8566801 .....             | 59, 61, 63, 65     |
| Coin Drawer Assembly       |                    |
| F8182001 .....             | 19                 |
| Coin Drop                  |                    |
| 38963P .....               | 13                 |
| 39748 .....                | 13                 |
| 70441601P .....            | 13                 |
| 70441603 .....             | 15                 |
| Coin Drop Assembly         |                    |
| 201141 .....               | 13                 |
| 210195 .....               | 15                 |
| 210196 .....               | 15                 |
| 38462P .....               | 13                 |
| 38463 .....                | 13                 |
| 38464P .....               | 13                 |
| 38467 .....                | 15                 |
| 38475 .....                | 13                 |
| 38519 .....                | 15                 |
| 70281102 .....             | 15                 |
| 70283102 .....             | 15                 |
| 70441602 .....             | 15                 |
| 70447301 .....             | 15                 |
| 70471601 .....             | 13                 |
| 70482401 .....             | 15                 |
| 70506901 .....             | 13                 |
| Coin Drop Kit              |                    |
| CK077 .....                | 13                 |

N/A items do not appear in index.

|                           |                        |
|---------------------------|------------------------|
| CK122 .....               | 17                     |
| Coin Identification Paper |                        |
| 38725 .....               | 13, 15, 17             |
| Coin Meter                |                        |
| F0160737-00 .....         | 15                     |
| Coin Vault Assembly       |                        |
| F8529101 .....            | 9                      |
| Coin Vault Harness        |                        |
| F8519701 .....            | 9                      |
| Concrete Kit              |                        |
| 1111P .....               | 75                     |
| Connector                 |                        |
| 70493102 .....            | 33                     |
| Contactora                |                        |
| F330188P .....            | 71                     |
| 70482601 .....            | 21, 23, 25, 27, 29, 31 |
| 70482701 .....            | 21, 23, 25, 27, 29, 31 |
| Contactora Tray           |                        |
| F8530901 .....            | 21, 23, 25, 27, 29, 31 |
| Control Assembly          |                        |
| F8493901 .....            | 9                      |
| Control Panel Assembly    |                        |
| F8523701 .....            | 37                     |
| F8523801 .....            | 37                     |
| F8523901 .....            | 37                     |
| F8553701 .....            | 37                     |
| Control Tray              |                        |
| F8530701 .....            | 11                     |
| Coupling                  |                        |
| F8116301 .....            | 73                     |
| F8362701 .....            | 73                     |

## D

|                    |                        |
|--------------------|------------------------|
| Danger Label       |                        |
| F8614501 .....     | 7                      |
| DIN Rail           |                        |
| B12315401 .....    | 25, 27, 29, 31         |
| M412689 .....      | 21, 23, 25, 27, 29, 31 |
| Dispenser          |                        |
| F8047403 .....     | 59, 61, 63, 65         |
| Dispenser Bracket  |                        |
| F8525701 .....     | 39                     |
| Dispenser Cover    |                        |
| F8563201 .....     | 59, 61, 63, 65         |
| F8563202 .....     | 59, 61, 63, 65         |
| F8563203 .....     | 59, 61, 63, 65         |
| F8563204 .....     | 59, 61, 63, 65         |
| Dispenser Gasket   |                        |
| B12568601 .....    | 59, 61, 63, 65         |
| Dispenser Weldment |                        |
| F8437902 .....     | 59, 61, 63, 65         |
| Door               |                        |
| F8507501P .....    | 43                     |
| F8507502 .....     | 43                     |
| F8507601 .....     | 45                     |
| F8507602 .....     | 45                     |
| F8507701 .....     | 47                     |
| F8507702 .....     | 47                     |
| Door Assembly      |                        |
| F8617203 .....     | 43                     |
| F8617204 .....     | 43                     |
| F8617205 .....     | 43                     |
| F8617206 .....     | 43                     |

|                                    |                |
|------------------------------------|----------------|
| F8617303 .....                     | 45             |
| F8617304 .....                     | 45             |
| F8617305 .....                     | 45             |
| F8617306 .....                     | 45             |
| F8617403 .....                     | 47             |
| F8617404 .....                     | 47             |
| F8617405 .....                     | 47             |
| F8617406 .....                     | 47             |
| Door Bezel                         |                |
| F0170426-30 .....                  | 37             |
| F170416-3 .....                    | 37             |
| F170417-3 .....                    | 37             |
| Door Gasket                        |                |
| F200000202 .....                   | 43             |
| F8111602 .....                     | 45, 47         |
| Door Glass                         |                |
| F8341701 .....                     | 43             |
| F8485302 .....                     | 45             |
| F8485405 .....                     | 47             |
| Door Glass Trim                    |                |
| F8583201 .....                     | 43             |
| F8583202 .....                     | 45             |
| F8583203 .....                     | 47             |
| F8583204 .....                     | 43             |
| F8583205 .....                     | 45             |
| F8583206 .....                     | 47             |
| Door Handle                        |                |
| F8544701 .....                     | 43, 45, 47     |
| Door Handle Spacer Kit             |                |
| F8567501 .....                     | 43, 45, 47     |
| Door Hinge                         |                |
| F190216P .....                     | 43, 45, 47     |
| Door Hinge Shim Kit                |                |
| F200131000P .....                  | 43, 45, 47     |
| Door Latch Arm Assembly            |                |
| F8221403 .....                     | 43, 45, 47     |
| Door Lock Assembly                 |                |
| F8632401 .....                     | 49             |
| Door Lock Catch                    |                |
| F8344501 .....                     | 49             |
| Door Lock Cover                    |                |
| F8245001 .....                     | 49             |
| Door Lock Harness                  |                |
| F8520201 .....                     | 49             |
| F8520202 .....                     | 49             |
| Door Lock Microswitch              |                |
| F200203200 .....                   | 49             |
| Door Lock Plate Assembly           |                |
| F8223202 .....                     | 49             |
| Door Lock Plate Shim               |                |
| F83344401 .....                    | 49             |
| Door Lock Solenoid Replacement Kit |                |
| F977P3 .....                       | 49             |
| Door Lock Switch Lever             |                |
| F8223401 .....                     | 49             |
| Door Mount                         |                |
| F150271 .....                      | 43, 45, 47     |
| Double Check Valve                 |                |
| F8301201 .....                     | 59, 61, 63, 65 |
| Dowel Pin                          |                |
| F8388201 .....                     | 53             |
| Drain Hose                         |                |
| F8541901 .....                     | 55             |
| F8542001 .....                     | 55             |
| F8542002 .....                     | 55             |

N/A items do not appear in index.



|   |                        |
|---|------------------------|
| 27154 .....                                   | 57                     |
| Drain Hose Elbow<br>35766 .....               | 57                     |
| Drain Tee<br>F150398 .....                    | 55                     |
| Drain Valve<br>F8406308 .....                 | 55                     |
| Drain Valve Bracket<br>F8543101 .....         | 55                     |
| F8543301 .....                                | 55                     |
| F8543401 .....                                | 55                     |
| F8587701 .....                                | 55                     |
| Drain Valve Cover<br>F200133600 .....         | 55                     |
| Drain Valve Harness<br>F8520001 .....         | 55, 57                 |
| F8520002 .....                                | 55, 57                 |
| Drain Valve Kit<br>F200166302 .....           | 55                     |
| F200166402 .....                              | 55                     |
| F8577201 .....                                | 55                     |
| Drive Assembly<br>F8495401P .....             | 35                     |
| F8496001 .....                                | 35                     |
| F8496301P .....                               | 35                     |
| F8496901 .....                                | 35                     |
| Drive Communication Harness<br>F8519201 ..... | 35                     |
| F8519202 .....                                | 35                     |
| F8519203 .....                                | 35                     |
| F8519204 .....                                | 35                     |
| Drive Mounting Bracket<br>F8322401 .....      | 35                     |
| Drive Panel Base Assembly<br>F8567001 .....   | 21, 23, 25, 27         |
| F8567002 .....                                | 25, 27                 |
| F8567003 .....                                | 29, 31                 |
| F8567004 .....                                | 29, 31                 |
| Drive Power Harness<br>F8518601 .....         | 35                     |
| F8518602 .....                                | 35                     |
| F8518603 .....                                | 35                     |
| Drive Shield<br>F8616901 .....                | 21, 23, 25, 27, 29, 31 |
| Drive Terminal Tray<br>F8530801 .....         | 21, 23, 25, 27         |
| F8530803 .....                                | 29, 31                 |

## E

|   |    |
|---|----|
| Electric Heat Element Harness<br>F8584801 ..... | 71 |
| F8584802 .....                                  | 71 |
| Electronic Coin Drop Assembly<br>70294107 ..... | 17 |
| 70513302 .....                                  | 17 |
| 70513303 .....                                  | 17 |
| 70513304 .....                                  | 17 |
| 70513306 .....                                  | 17 |
| 70513309 .....                                  | 17 |
| 70513310 .....                                  | 17 |
| 70513311 .....                                  | 17 |
| 70513312 .....                                  | 17 |
| 70513313 .....                                  | 17 |

|   |   |
|---|---|
| 70513314 .....                                  | 17  |
| 70513315 .....                                  | 17  |
| 70513316 .....                                  | 17  |
| Electronic Coin Drop Kit<br>CK099 .....         | 17  |
| CK100 .....                                     | 17  |
| CK101 .....                                     | 17  |
| CK108 .....                                     | 17  |
| CK109 .....                                     | 17  |
| CK110 .....                                     | 17  |
| CK113 .....                                     | 17  |
| CK115 .....                                     | 17  |
| CK116 .....                                     | 17  |
| CK117 .....                                     | 17  |
| CK118 .....                                     | 17  |
| CK119 .....                                     | 17  |
| CK120 .....                                     | 17  |
| CK121 .....                                     | 17  |
| CK500 .....                                     | 17  |
| Emergency Stop Bypass Harness<br>F8549403 ..... | 9   |
| EMI Filter<br>F8591601 .....                    | 21, 25  |
| F8591801 .....                                  | 23, 27, 29  |
| F8637501 .....                                  | 23, 27, 31  |
| End Stop<br>F8449801 .....                      | 21, 23, 25, 27, 29, 31                                |
| Excluder Seal<br>F8337002 .....                 | 51  |
| Expansion Clip<br>70030501 .....                | 11, 21, 23, 25, 27, 29, 31,<br>35, 37, 39, 41, 49, 57 |
| Extension Spring<br>F310124 .....               | 67, 69  |
| External Supply Kit<br>F8662505 .....           | 33  |
| F8662506 .....                                  | 33  |
| F8662507 .....                                  | 33  |
| F8662508 .....                                  | 33  |
| Eye Bolt<br>F8319503 .....                      | 67, 69  |
| F8351901 .....                                  | 67, 69  |

## F

|                                      |                |
|--------------------------------------|----------------|
| Fill Hose Kit<br>F8671101 .....      | 59, 61, 63, 65 |
| F8671102 .....                       | 59, 61, 63, 65 |
| F8671201 .....                       | 59, 61, 63, 65 |
| F8671202 .....                       | 59, 61, 63, 65 |
| Fill Valve Harness<br>F8520101 ..... | 59, 61, 63     |
| F8520102 .....                       | 65             |
| Filter Kit<br>F8662801 .....         | 21             |
| F8662802 .....                       | 25             |
| F8662803 .....                       | 23             |
| F8662804 .....                       | 27, 29         |
| F8662805 .....                       | 23             |
| F8662806 .....                       | 27, 31         |
| F8662809 .....                       | 23             |
| F8662810 .....                       | 23             |
| F8662811 .....                       | 27, 29         |
| F8662812 .....                       | 27, 31         |

N/A items do not appear in index.

|                     |        |
|---------------------|--------|
| Flanged Bushing     |        |
| F8333302 .....      | 67, 69 |
| Flanged Isolator    |        |
| F8535202 .....      | 67, 69 |
| Frame Template      |        |
| F8433301 .....      | 75     |
| F8433401 .....      | 75     |
| F8433501 .....      | 75     |
| F8433601 .....      | 75     |
| Front Panel         |        |
| F8524301 .....      | 37     |
| F8524401 .....      | 37     |
| F8524501 .....      | 37     |
| F8554001 .....      | 37     |
| Front Tray Assembly |        |
| F8531001 .....      | 9      |
| F8567301 .....      | 9      |
| F8567302 .....      | 9      |
| F8567303 .....      | 9      |
| F8567304 .....      | 9      |
| F8567305 .....      | 9      |
| F8567306 .....      | 9      |

## G

|                      |                        |
|----------------------|------------------------|
| Gasket               |                        |
| F8542601 .....       | 39                     |
| Gateway              |                        |
| 204145P .....        | 11                     |
| Ground Lug Connector |                        |
| M411283 .....        | 21, 23, 25, 27, 29, 31 |

## H

|                |                    |
|----------------|--------------------|
| Harness        |                    |
| F8518401 ..... | 23, 27, 29         |
| F8518402 ..... | 21, 23             |
| F8518403 ..... | 27, 29             |
| F8518404 ..... | 21, 23, 29         |
| F8518405 ..... | 21, 25             |
| F8518501 ..... | 21, 23, 27, 31     |
| F8518502 ..... | 23                 |
| F8518503 ..... | 27, 31             |
| F8518504 ..... | 23, 27             |
| F8518604 ..... | 25                 |
| F8518605 ..... | 23, 27, 31, 35     |
| F8518606 ..... | 23, 27, 31, 35     |
| F8518607 ..... | 29                 |
| F8519301 ..... | 9                  |
| F8519501 ..... | 9                  |
| F8519502 ..... | 9                  |
| F8519601 ..... | 9                  |
| F8520601 ..... | 33                 |
| F8520602 ..... | 33                 |
| F8520704 ..... | 73                 |
| F8528001 ..... | 23, 25, 27, 29, 31 |
| F8528002 ..... | 23                 |
| F8528003 ..... | 25, 27, 29, 31     |
| F8528004 ..... | 21, 25             |
| F8528005 ..... | 23, 27, 29, 31     |
| F8528006 ..... | 21, 25             |
| F8528203 ..... | 33                 |
| F8528204 ..... | 33                 |
| F8564001 ..... | 71                 |
| F8564002 ..... | 71                 |

|                           |                        |
|---------------------------|------------------------|
| F8564003 .....            | 71                     |
| F8598301 .....            | 51, 71                 |
| F8598302 .....            | 51, 71                 |
| F8619102 .....            | 21, 23, 25, 27, 29, 31 |
| Heating Element           |                        |
| F8568301 .....            | 71                     |
| F8568401 .....            | 71                     |
| F8568402 .....            | 71                     |
| Heating Element Plug      |                        |
| F360202 .....             | 71                     |
| Hole Plug                 |                        |
| F8223801 .....            | 39                     |
| Hose                      |                        |
| F8232007 .....            | 59                     |
| F8232010 .....            | 63                     |
| F8232011 .....            | 61                     |
| F8232012 .....            | 65                     |
| Hose Clamp                |                        |
| F200201 .....             | 55, 59, 61, 63, 65     |
| F200204 .....             | 57                     |
| F200213 .....             | 55, 59, 61, 63, 65     |
| F200215 .....             | 57                     |
| F200219 .....             | 57                     |
| 36801 .....               | 59, 61, 63, 65         |
| 36802 .....               | 55, 57                 |
| 39282 .....               | 9, 71                  |
| Hot Surface Warning Label |                        |
| F8609001 .....            | 7                      |
| F8614301 .....            | 7                      |

## I

|                                   |                        |
|-----------------------------------|------------------------|
| Input and Output Control Assembly |                        |
| F8494101P .....                   | 11                     |
| Insulation                        |                        |
| F8209101 .....                    | 71                     |
| F8209102 .....                    | 71                     |
| F8209103 .....                    | 71, 73                 |
| F8209104 .....                    | 71, 73                 |
| F8233702 .....                    | 73                     |
| F8233704 .....                    | 73                     |
| Insulator                         |                        |
| M413862 .....                     | 21, 23, 25, 27, 29, 31 |

## J

|                |                |
|----------------|----------------|
| Jumper         |                |
| F8568901 ..... | 71             |
| F8569001 ..... | 71             |
| F8583501 ..... | 25, 27, 29, 31 |

## K

|                |        |
|----------------|--------|
| Key            |        |
| F160420 .....  | 19     |
| F430801 .....  | 67, 69 |
| 70155603 ..... | 39     |

N/A items do not appear in index.

---

**L**

|                |                        |
|----------------|------------------------|
| Label          |                        |
| D516100 .....  | 21, 23, 25, 27, 29, 31 |
| F8601301 ..... | 7                      |
| F8602401 ..... | 7                      |
| F8605501 ..... | 7                      |
| F8609401 ..... | 7                      |
| F8611301 ..... | 7, 39                  |
| F8611401 ..... | 7, 39                  |
| F8614801 ..... | 7                      |
| 203853 .....   | 7                      |
| 44286801 ..... | 21, 25                 |
| 44286803 ..... | 23, 27, 31             |

---

**M**

|                                |                |
|--------------------------------|----------------|
| Machine ID Control Assembly    |                |
| 203361P .....                  | 9              |
| Magnet                         |                |
| F8390801 .....                 | 43, 45, 47     |
| Manifold Valve                 |                |
| F8529701 .....                 | 59, 61, 63, 65 |
| F8529702 .....                 | 59, 61, 63, 65 |
| Mixing Valve                   |                |
| F8434003 .....                 | 65             |
| F8434004 .....                 | 65             |
| Motor                          |                |
| F8509601 .....                 | 67             |
| F8509701 .....                 | 67             |
| F8564101 .....                 | 69             |
| F8564102P .....                | 69             |
| Motor Bracket Weldment         |                |
| F8589001 .....                 | 67             |
| F8589002 .....                 | 69             |
| Motor Conduit Mounting Bracket |                |
| 70521901 .....                 | 67             |
| Motor Harness                  |                |
| F8519001 .....                 | 67             |
| F8519002 .....                 | 67             |
| F8519003 .....                 | 69             |
| F8519004 .....                 | 69             |
| F8519006 .....                 | 67             |
| F8519007 .....                 | 67             |
| F8519008 .....                 | 69             |
| F8519009 .....                 | 69             |
| Motor Pulley                   |                |
| F8525301 .....                 | 67, 69         |
| F8525302 .....                 | 69             |
| Motor Rod Plate                |                |
| F8441101 .....                 | 67, 69         |

---

**N**

|                   |                |
|-------------------|----------------|
| Nut               |                |
| F0431807-00 ..... | 59, 61, 63, 65 |
| F430215 .....     | 17, 43, 45, 47 |
| F430218 .....     | 51             |
| F430225 .....     | 49             |
| F430232 .....     | 43, 45, 47, 49 |
| F431024 .....     | 43, 45, 47, 49 |
| F431041 .....     | 43, 45, 47     |
| F8387701 .....    | 53             |

|                |                        |
|----------------|------------------------|
| 44087201 ..... | 55, 57, 67, 69         |
| 44087301 ..... | 51, 67, 69             |
| 44088001 ..... | 21, 23, 25, 27, 29, 31 |
| 44088801 ..... | 39                     |
| 685846 .....   | 9, 13, 15              |
| 70030401 ..... | 55                     |

---

**O**

|                |                |
|----------------|----------------|
| Opto Coupler   |                |
| 200674P .....  | 13, 15         |
| O-Ring         |                |
| F8569101 ..... | 59, 61, 63, 65 |
| Overflow Hose  |                |
| F8521201 ..... | 55             |
| F8522401 ..... | 55             |
| F8522501 ..... | 55             |
| Overflow Plug  |                |
| F150352 .....  | 57             |
| Overlay        |                |
| F8641601 ..... | 37             |
| F8641602 ..... | 37             |
| F8641605 ..... | 37             |

---

**P**

|                                |  |
|--------------------------------|--|
| Panel Locator                  |  |
| 56079 .....                    | 37, 41   |
| Panel Lock                     |  |
| 44089303P .....                | 39   |
| Pin                            |  |
| F8302701 .....                 | 51   |
| F8502101 .....                 | 41   |
| Pinch Warning Label            |  |
| F8615701 .....                 | 7  |
| 70538401 .....                 | 7  |
| Pipe Insulation                |  |
| F410300 .....                  | 73   |
| F8233708 .....                 | 73   |
| Pipe Nipple                    |  |
| 70435601 .....                 | 73   |
| Plug                           |  |
| F420408 .....                  | 71, 73   |
| F420409 .....                  | 71   |
| F8223901 .....                 | 39   |
| M400985 .....                  | 39   |
| Pop Rivet                      |  |
| F431215 .....                  | 37, 39   |
| F431223 .....                  | 43, 45, 47   |
| M400003 .....                  | 11, 21, 23, 25, 27, 29, 31                           |
| 70058501 .....                 | 9, 13, 15, 21, 23, 25, 27,<br>29, 31, 59, 61, 63, 65 |
| 70412601 .....                 | 37   |
| Power Distribution Block       |  |
| M413865 .....                  | 21, 23, 25, 27, 29, 31                               |
| Power Distribution Block Cover |  |
| 44014901P .....                | 21, 23, 25, 27, 29, 31                               |
| Power Harness                  |  |
| F8619101 .....                 | 21, 23, 25, 27, 29, 31, 71                           |
| Pressure Cap                   |  |
| F8579301 .....                 | 55, 57   |
| Pressure Sensor                |  |
| F8623401 .....                 | 9, 71  |

N/A items do not appear in index.

|                                 |    |
|---------------------------------|----|
| P-Trap Hose                     |    |
| F8529601                        | 59 |
| F8529602                        | 61 |
| F8529603                        | 63 |
| F8529604                        | 65 |
| Pulse Expander Assembly         |    |
| F8034701P                       | 17 |
| Pump Drain and Bracket Assembly |    |
| 804038                          | 57 |
| 805613                          | 57 |
| 805723                          | 57 |
| Pump Drain Bracket              |    |
| F8536901                        | 57 |
| F8557101                        | 57 |
| F8557301                        | 57 |
| Pump Drain Hose                 |    |
| F8556601                        | 57 |
| Pump Drain Rear Hose            |    |
| F8537001                        | 57 |
| F8557001                        | 57 |
| F8557201                        | 57 |
| Pushbutton Switch               |    |
| 70413301                        | 39 |

## R

|                      |            |
|----------------------|------------|
| Radial Lip Seal      |            |
| F8203816             | 53         |
| Rear Drain Hose      |            |
| F8543001             | 55         |
| F8543201             | 55         |
| F8543501             | 55         |
| F8587301             | 55         |
| Rear Panel           |            |
| F8527001             | 39         |
| F8527101             | 39         |
| F8527201             | 39         |
| F8554501             | 39         |
| Rear Vent Hose       |            |
| F8616401             | 59         |
| F8616402             | 61, 63     |
| F8616404             | 65         |
| Reed Switch Assembly |            |
| F8066804             | 49         |
| Retaining Ring       |            |
| F8337801             | 53         |
| F8337901             | 53         |
| F8344901             | 53         |
| F8345001             | 53         |
| Rivet                |            |
| M412763              | 37, 41     |
| Rod                  |            |
| F602813-2            | 43, 45, 47 |

## S

|          |                                    |
|----------|------------------------------------|
| Screw    |                                    |
| D503688  | 35                                 |
| F430532  | 43                                 |
| F430533  | 45, 47                             |
| F430536  | 43, 45, 47                         |
| F8117601 | 37, 39, 41, 49, 57                 |
| F8206901 | 11, 21, 23, 25, 27, 29, 31, 39, 57 |

|                       |                        |
|-----------------------|------------------------|
| F8230301              | 59, 61, 63, 65         |
| F8368801              | 53                     |
| F8442702              | 53                     |
| F8535501              | 43, 45, 47             |
| F8535601              | 59, 61, 63, 65         |
| F8574001              | 67, 69                 |
| F8589501              | 37                     |
| F8621601              | 51                     |
| F8658501              | 57                     |
| F8673701              | 51                     |
| 05161                 | 41                     |
| 202175                | 55                     |
| 23222                 | 67                     |
| 33562                 | 39                     |
| 39733                 | 21, 23, 25, 27, 29, 31 |
| 403497                | 33                     |
| 430497                | 11                     |
| 51780                 | 39                     |
| 51783                 | 21, 23, 25, 27, 29, 31 |
| 685837                | 21, 23, 25, 27, 29, 31 |
| 70321501              | 73                     |
| 800548                | 59, 61, 63, 65         |
| Seal Scupper Pad      |                        |
| F8350302              | 53                     |
| Set Screw             |                        |
| F8536701              | 67, 69                 |
| Shaft Seal Sleeve Kit |                        |
| F8343906P             | 51                     |
| Shell                 |                        |
| F8512101              | 51                     |
| F8512102              | 51, 71                 |
| F8512201              | 51                     |
| F8512202              | 51, 71, 73             |
| F8514001              | 51                     |
| F8514002              | 51, 71                 |
| F8543701              | 51                     |
| F8543702              | 51, 71, 73             |
| Shell Band Kit        |                        |
| F8537801              | 51                     |
| F8537802              | 51                     |
| F8537803              | 51                     |
| F8537804              | 51                     |
| Shell Front           |                        |
| F8222301              | 51                     |
| F8222401              | 51                     |
| F8222501              | 51                     |
| F8222601              | 51                     |
| Shock Warning Label   |                        |
| F8614201              | 7                      |
| Side Panel            |                        |
| F8524601              | 41                     |
| F8524602              | 41                     |
| F8524603              | 41                     |
| F8524604              | 41                     |
| F8524701              | 41                     |
| F8524702              | 41                     |
| F8524703              | 41                     |
| F8524704              | 41                     |
| F8524801              | 41                     |
| F8524802              | 41                     |
| F8524803              | 41                     |
| F8524804              | 41                     |
| F8554201              | 41                     |
| F8554202              | 41                     |
| F8554203              | 41                     |
| F8554204              | 41                     |

N/A items do not appear in index.

|                    |                               |
|--------------------|-------------------------------|
| Siphon Cover       |                               |
| F8047901 .....     | 59, 61, 63, 65                |
| Snap Bushing       |                               |
| F140938 .....      | 9, 21, 23, 25, 27, 29, 31, 33 |
| M402542 .....      | 9                             |
| M411826 .....      | 9                             |
| Spacer             |                               |
| F431901 .....      | 49                            |
| Spring Bracket     |                               |
| F8581201 .....     | 67                            |
| Spring Pin         |                               |
| F431222 .....      | 43, 45, 47                    |
| Steam Filter       |                               |
| F270307 .....      | 73                            |
| F270308 .....      | 73                            |
| Steam Hose         |                               |
| F200153P .....     | 73                            |
| F200197 .....      | 73                            |
| Steam Kit          |                               |
| F8662601 .....     | 73                            |
| F8662602 .....     | 73                            |
| Street Elbow       |                               |
| H86070034 .....    | 73                            |
| Stud               |                               |
| 70334702 .....     | 55                            |
| Supply Vacuum Hose |                               |
| F8529401 .....     | 59                            |
| F8529402 .....     | 61                            |
| F8529403 .....     | 63                            |
| F8529404 .....     | 65                            |

---

## T

|                           |                            |
|---------------------------|----------------------------|
| Temperature Probe Grommet |                            |
| 2251000400 .....          | 51, 71                     |
| Terminal                  |                            |
| 00622SG .....             | 11, 21, 23, 25, 27, 29, 31 |
| Terminal Block            |                            |
| 430642 .....              | 21, 23, 25, 27, 29, 31     |
| Terminal Block Shield     |                            |
| 70333001 .....            | 21, 23, 25, 27, 29, 31     |
| Terminal Tray Cover       |                            |
| F8518301 .....            | 39                         |
| Thermistor                |                            |
| F8538801 .....            | 51, 71                     |
| Top Cover                 |                            |
| F8525401 .....            | 39                         |
| F8525501 .....            | 39                         |
| F8525601 .....            | 39                         |
| F8554301 .....            | 39                         |
| Top Cover Hinge           |                            |
| F8258601 .....            | 39                         |
| Top Cover Latch           |                            |
| F8201001 .....            | 37                         |
| Torsion/Door Lock Spring  |                            |
| F8070301 .....            | 49                         |
| Transformer               |                            |
| F8491101 .....            | 11                         |
| 202757 .....              | 11                         |
| 202758 .....              | 11                         |
| Triple Lip Seal           |                            |
| F8203801 .....            | 53                         |
| F8203802 .....            | 53                         |

|                |    |
|----------------|----|
| F8203803 ..... | 53 |
| F8203806 ..... | 53 |
| F8203813 ..... | 53 |
| F8203814 ..... | 53 |
| F8203815 ..... | 53 |

## Tubing

|                |   |
|----------------|---|
| F8405302 ..... | 9 |
| F8405303 ..... | 9 |

## U

|                      |    |
|----------------------|----|
| USB IR Interface Kit |    |
| 203346 .....         | 75 |

## V

|                         |                |
|-------------------------|----------------|
| Vacuum Breaker Assembly |                |
| F8517501 .....          | 59, 61, 63, 65 |
| F8517502 .....          | 59, 61, 63, 65 |
| F8517503 .....          | 59, 61, 63, 65 |
| F8517504 .....          | 59, 61, 63, 65 |
| Vacuum Breaker Guard    |                |
| F8589601 .....          | 59, 61, 63, 65 |
| Valve                   |                |
| F8322805 .....          | 73             |
| F8565201 .....          | 59, 61, 63, 65 |
| F8565202 .....          | 59, 61, 63, 65 |
| Valve Panel             |                |
| F8513101 .....          | 39             |
| F8513201 .....          | 39             |
| F8513301 .....          | 39             |
| F8554401 .....          | 39             |

## W

|                             |                |
|-----------------------------|----------------|
| Warning Label               |                |
| 44324001 .....              | 7              |
| Washer                      |                |
| F430339 .....               | 53             |
| F431115 .....               | 67, 69         |
| F431133 .....               | 43, 45, 47     |
| F431147 .....               | 43, 45, 47     |
| F431916 .....               | 43, 45, 47     |
| F431929 .....               | 43, 45, 47     |
| F8193101 .....              | 49             |
| F8201101 .....              | 37             |
| F8402701 .....              | 51             |
| M400080 .....               | 51             |
| M400081 .....               | 51             |
| M405535 .....               | 41             |
| Water Hose Kit              |                |
| F8665601 .....              | 59, 61, 63, 65 |
| F8665602 .....              | 59, 61, 63, 65 |
| F8665603 .....              | 59, 61, 63, 65 |
| F8665604 .....              | 59, 61, 63, 65 |
| Water Level Pressure Switch |                |
| F8609101 .....              | 9, 71          |
| Wire Clip                   |                |
| F8449501 .....              | 9, 11          |
| 70347601 .....              | 11             |
| 70366201 .....              | 9              |

N/A items do not appear in index.

|                                   |            |
|-----------------------------------|------------|
| Wire Label                        |            |
| 44286804 .....                    | 23, 27, 29 |
| Wireless Harness                  |            |
| F8520403 .....                    | 11         |
| F8520404 .....                    | 11         |
| F8674003 .....                    | 11         |
| F8674004 .....                    | 11         |
| Wireless Kit                      |            |
| F8662401 .....                    | 11         |
| F8662402 .....                    | 11         |
| F8676001 .....                    | 11         |
| F8676101 .....                    | 11         |
| Wireless Network Control Assembly |            |
| 203532 .....                      | 11         |
| 807211 .....                      | 11         |

---

## Y

|                    |    |
|--------------------|----|
| Y-Connector        |    |
| 223/00243/00 ..... | 65 |

---